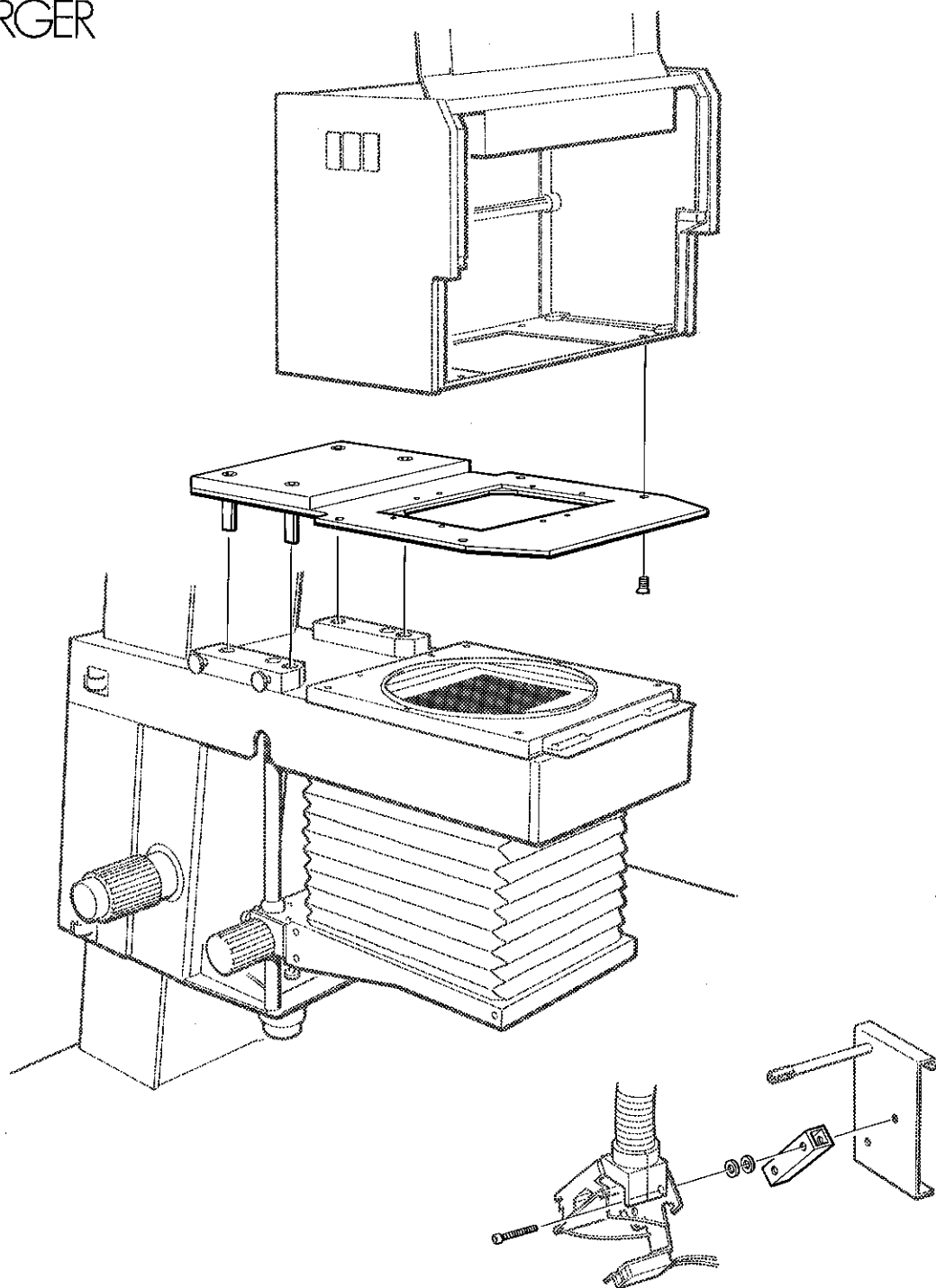


ILFOSPEED MULTIGRADE 500

ADAPTOR KIT FOR
THE OMEGA D5500
ENLARGER



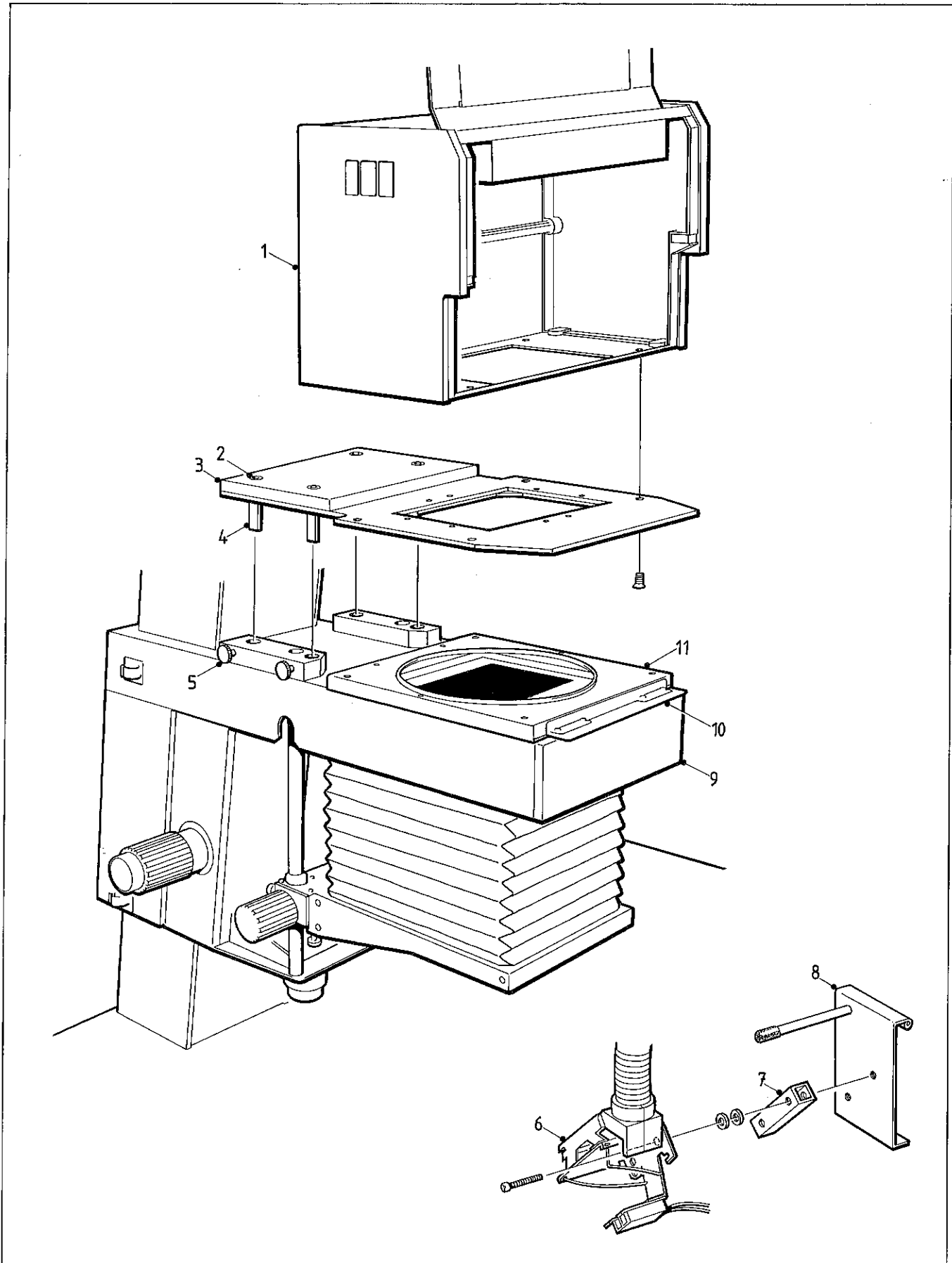


Figure 1.1

1 PRE-INSTALLATION

- 1 ILFOSPEED
MULTIGRADE 500H
enlarger head
- 2 Dowel securing
screw
- 3 Adaptor plate
assembly
- 4 Adaptor dowel
- 5 Knurled screw
- 6 Lampholder - right
hand
- 7 Packing block
- 8 Lampholder slide -
right hand
- 9 Omega D5500
chassis
- 10 Negative carrier
- 11 Rotating cassette

1.1 Introduction

The adaptor kit (see figure 1.1) enables the ILFORD ILFOSPEED MULTIGRADE 500H enlarger head to be fitted to the Omega D5500 enlarger. Installation is straightforward provided the instructions in this manual are followed carefully. If you have any problems, please contact your nearest ILFORD selling company, the address of which can be found on the back cover of this manual.

Information regarding the fitting and changing of light mixing boxes is detailed in the ILFOSPEED MULTIGRADE 500 Operating manual, which must be read thoroughly before the equipment is used.

WARNING

To prevent irreparable damage to the equipment, do not use force when carrying out any of the following instructions. Because the lamp slides are free to move, handle the ILFOSPEED MULTIGRADE 500H enlarger head with extreme care. Remove the lamps if you feel it is necessary.

1.2 Unpacking

The adaptor kit for the Omega D5500 enlarger consists of the sub-assemblies detailed in table 1.1. Each sub-assembly is packed in a plastic bag, with the part number written on the bag. Please ensure you have all the correct items before proceeding with any of the fitting instructions (see also figure 1.1).

Table 1.1 Adaptor kit

Part no.	Description
6069-2-108	Register plate, 35mm
6069-2-109	Register plate, 6x7cm
6091-3-002	Light mixing box, 35mm
6092-3-002	Light mixing box, 6x7cm
6093-3-001	Light mixing box, 4x5 inches
6069-P-002	Packing block sub kit
6136-P-002	Sub kit

The packing block sub kit, part number 6069-P-002, consists of the items detailed in table 1.2.

**Table 1.2 Packing block sub kit
6069-P-002**

Description	Quantity
Packing block	2
Screw, M3x25mm, pan head	4
Washer, M3, plain	8

The sub kit, part number 6136-P-002, consists of the items detailed in table 1.3.

Table 1.3 Sub kit 6136-P-002

Description	Quantity
Adaptor plate assembly	1
Screw, M4x8mm, countersunk head	4
Allen key, 5mm AF	1

1.3 Removing the Omega enlarger head

The Omega D5500 enlarger head is counter balanced to be moved up and down the column with the minimum of effort. Before proceeding, ensure the chassis is positioned at a convenient working height and securely locked onto the column.

WARNING

Never lean over counter balanced enlargers; failure of the locking mechanism could cause injury.

To remove the Omega enlarger head, proceed as follows (refer also to the manufacturer's literature):

WARNING

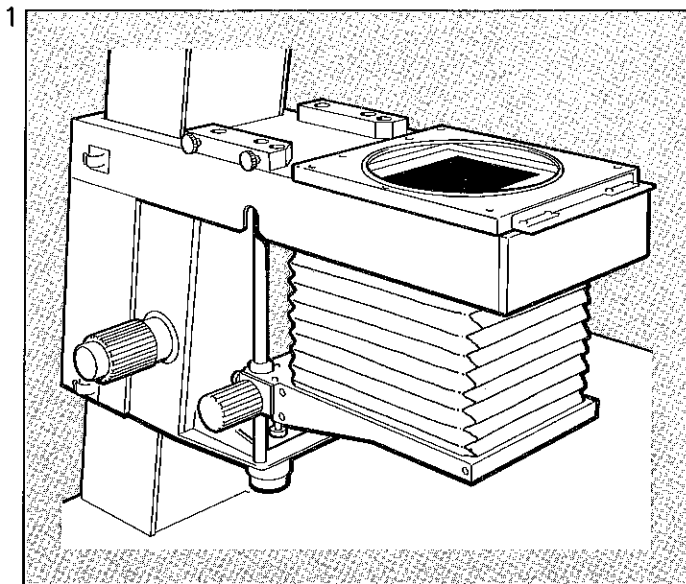
The rotating negative carrier cassette is held captive between the head and the chassis. Take care not to damage the cassette when removing the head.

- 1 Remove the negative carrier from the rotating cassette.
- 2 Disconnect the mains supply cable from the enlarger head.
- 3 Slacken the four knurled retaining screws, two on each side of the chassis.
- 4 Carefully lift the head off the chassis. Some force may be necessary to do this, and some assistance may be required to prevent the chassis from moving up the column.

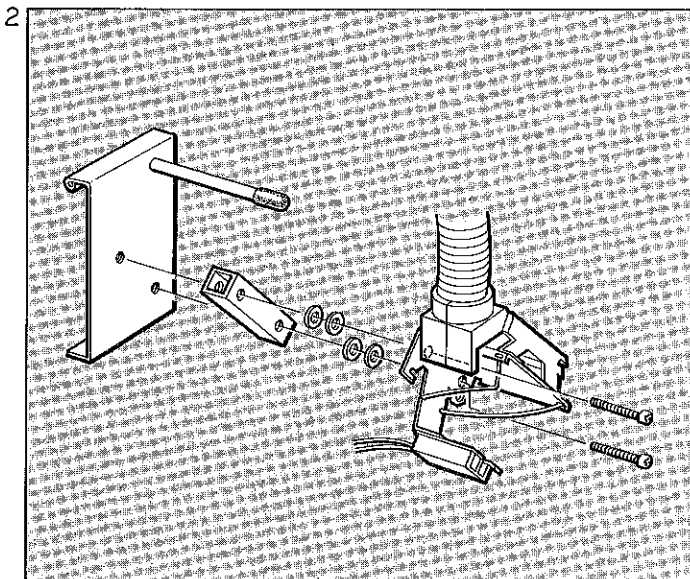


2

FITTING THE ILFOSPEED MULTIGRADE 500H ENLARGER HEAD

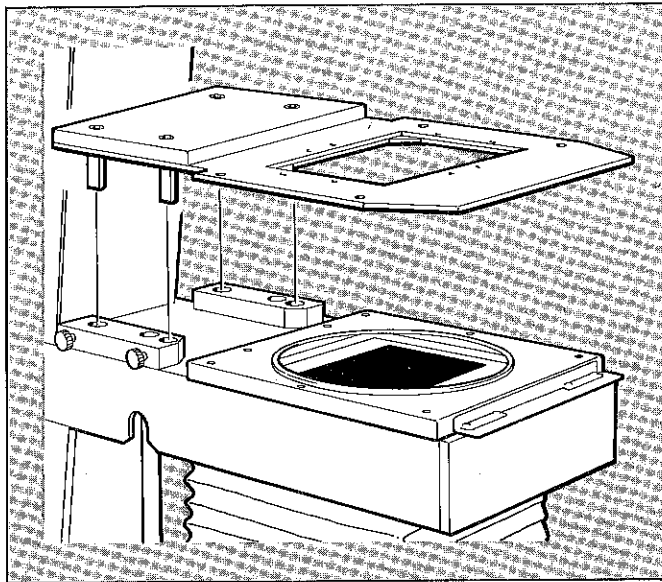


With the Omega enlarger head removed, the enlarger is ready to accept the ILFOSPEED MULTIGRADE 500H enlarger head.



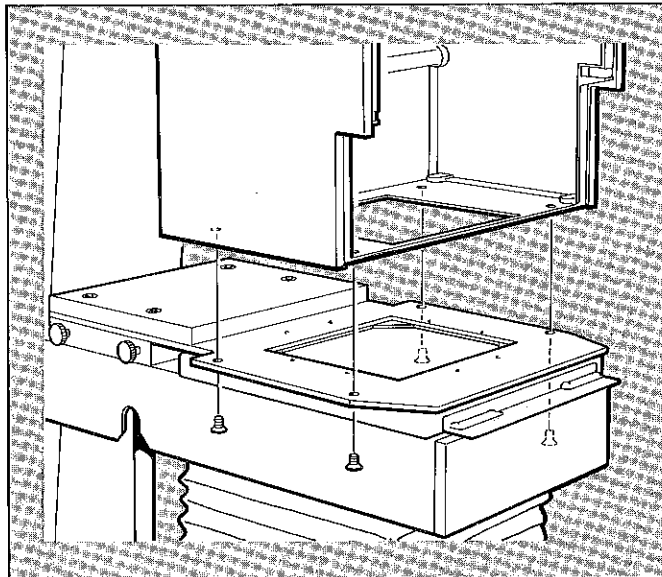
Remove the two lamps and the two screws securing each lampholder to its slide. Re-assemble the left hand lampholder to the slide using the spacer block, and two of the M3x25mm pan head screws and associated washers, as shown. Repeat for the right hand lampholder. Ensure full movement of the lampholders. Refit the lamps.

Position the adaptor plate on the chassis, as shown. If the dowels fail to locate, slacken the appropriate dowel securing screw(s) using the Allen key supplied. Ensure the adaptor plate is square to the chassis. Tighten the four knurled retaining screws. Re-tighten the dowel screw(s). Ensure the cassette is free to rotate.



Position the ILFOSPEED MULTIGRADE 500H enlarger head upside down on a bench. Remove the four countersunk head screws and associated cup washers from the base. Discard the screws and cup washers.

Secure the head to the adaptor plate with the four M4x8mm countersunk head screws.



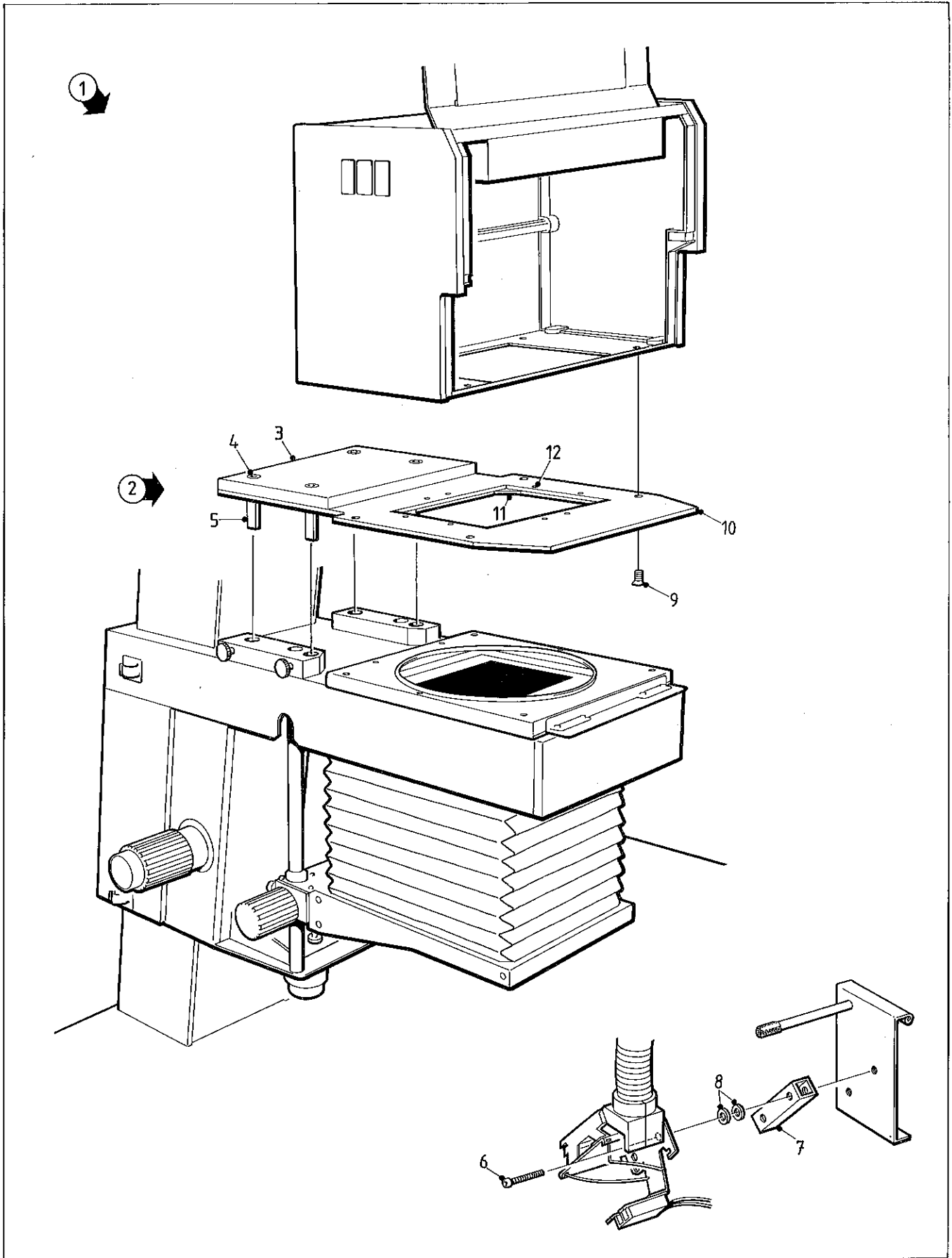


Figure 3.1

3

PARTS LIST

Figure 3.1 and the following table detail all spare parts that are available. When ordering spare parts, please quote the part number in order that ILFORD Limited may process your order quickly and efficiently.

Ref no. on figure 3.1	Part no.	Description	Quantity
1	6136-P-001	Adaptor kit, complete	
2	6136-1-002	Adaptor plate assembly	1
3	6136-3-102	Counter balance weight	1
4	87992545	Screw, M6x25mm, socket head	4
5	6136-3-103	Adaptor dowel	4
6	87989749	Screw, M3x25mm, pan head	4
7	6069-4-110	Packing block	2
8	89730453	Washer, M3, plain	8
9	87990448	Screw, M4x8mm, countersunk head	4
10	6136-1-100	Adaptor plate	1
11	6136-3-101	Cassette ring	1
12	87990421	Screw, M3x8mm, countersunk head	8
13+	80004001	Allen key, 5mm AF	1
14+	6069-2-108	Register plate, 35mm	1
15+	6069-2-109	Register plate, 6x7cm	1
16+	6091-3-002	Light mixing box, 35mm, 14mm drop	1
17+	6092-3-002	Light mixing box, 6x7cm, 14mm drop	1
18+	6093-3-001	Light mixing box, 4x5 inches, 3mm drop	1

+ items not illustrated