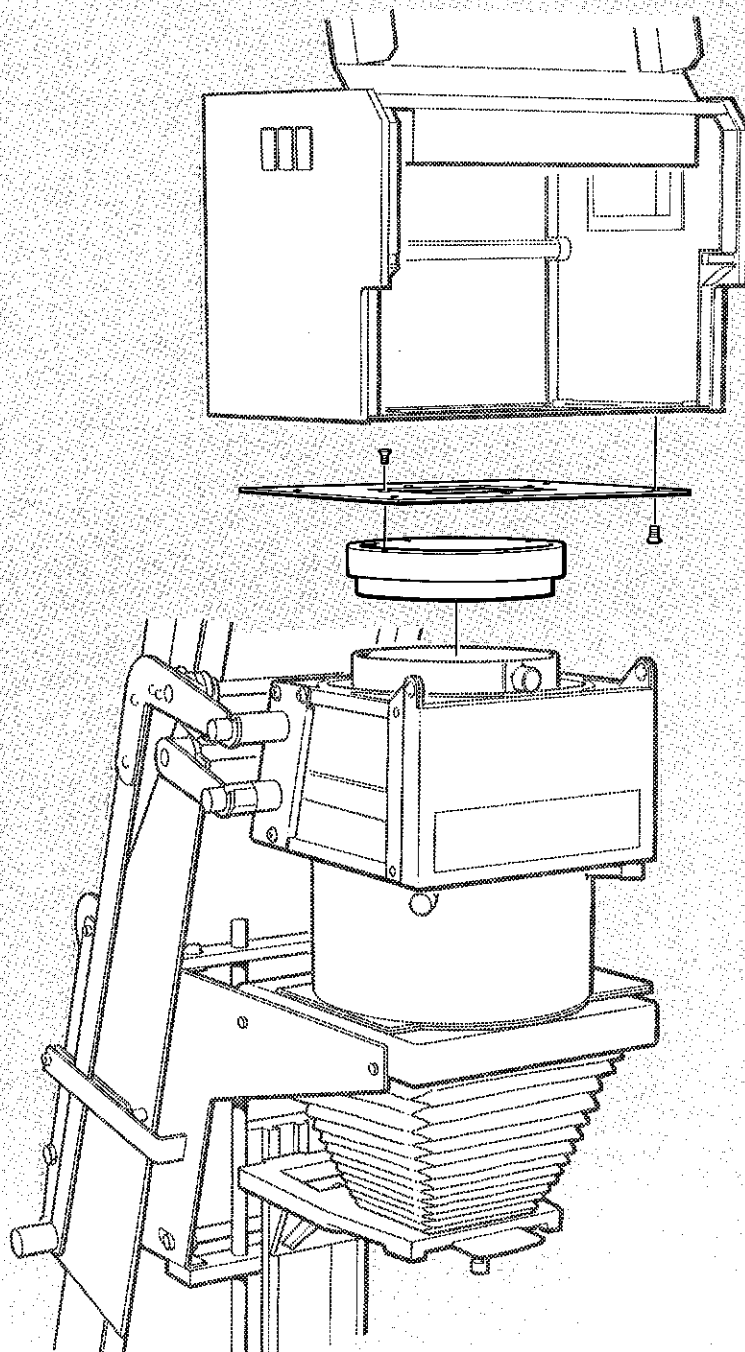


ILFOSPEED MULTIGRADE 500

ADAPTOR KIT FOR
THE OMEGA D2, D3 AND D5
ENLARGERS



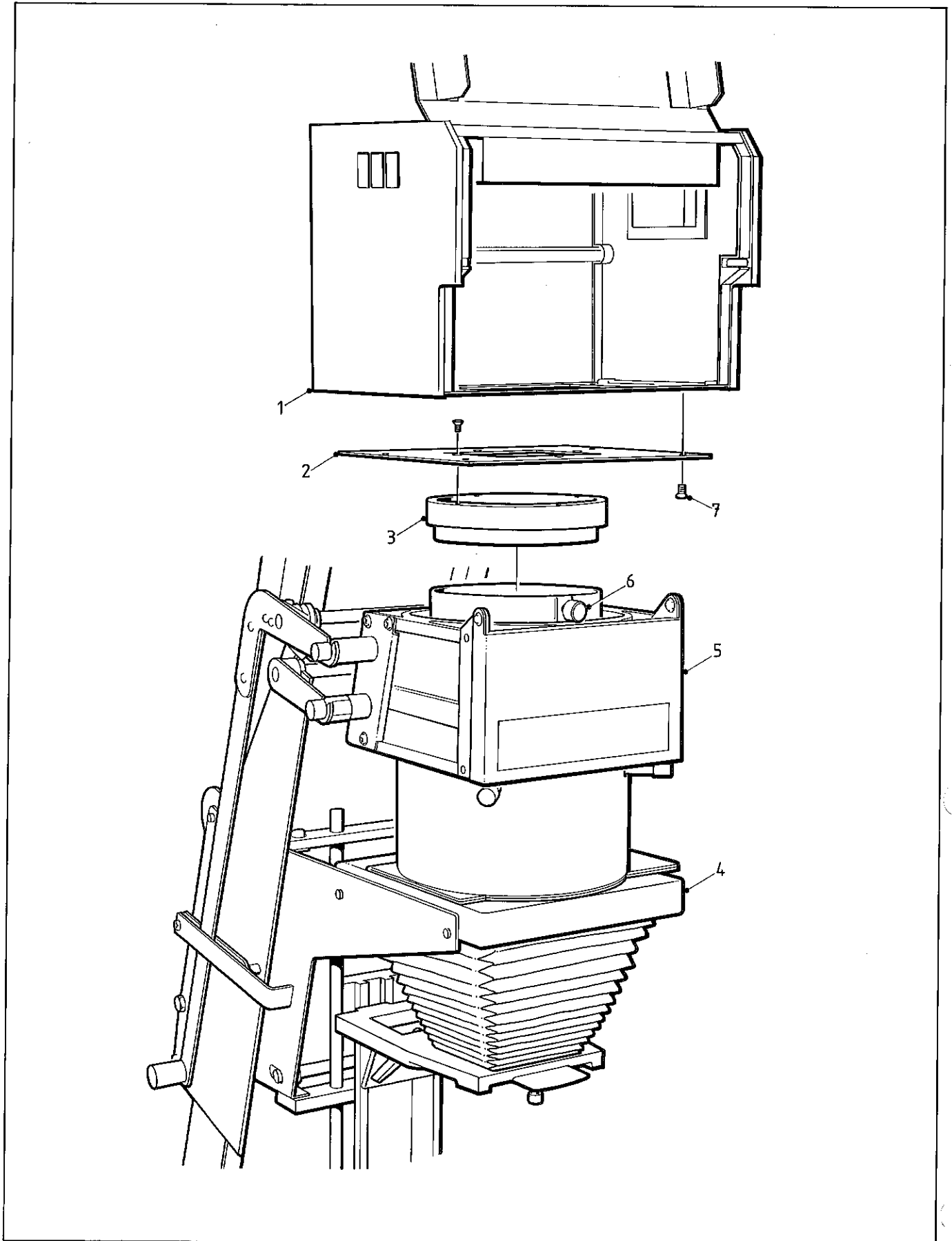


Figure 1.1

1 PRE-INSTALLATION

- 1 ILFOSPEED MULTIGRADE 500H enlarger head
- 2 Adaptor plate
- 3 Adaptor collar
- 4 Omega D5 chassis
- 5 Condenser housing
- 6 Lamphouse clamping screw
- 7 Securing screw - adaptor plate

1.1 Introduction

The adaptor kit (see figure 1.1) enables the ILFORD ILFOSPEED MULTIGRADE 500H enlarger head to be fitted to the Omega D2, D3 and D5 enlargers. Installation is straightforward provided the instructions in this manual are followed carefully. If you have any problems, please contact your nearest ILFORD selling company, the address of which can be found on the back cover of this manual.

The ILFOSPEED MULTIGRADE 500H enlarger head is a diffuser light source. It is designed to replace the original light source and condensers on a condenser enlarger, using a specially designed adaptor kit. With the diffuser series of adaptor kits, condenser enlargers are converted to diffuser enlargers, and a maximum of three light mixing boxes are supplied for negative sizes 35mm, 6x7cm and 4x5 inches, as appropriate. However, this adaptor kit is one of a new generation of adaptor kits specially designed to enable your enlarger to be used with its condensers and so retain all the characteristics associated with a condenser enlarger. This adaptor kit is supplied with just one light mixing box which is suitable for all negative sizes, limited only by your enlarger.

Note

With this adaptor kit, different condenser positions should be used for the different negative sizes. Please refer to the Omega recommendations located on the inside of the condenser housing front cover.

Information regarding the fitting of light mixing boxes is detailed in the ILFOSPEED MULTIGRADE 500 Operating manual, which must be read thoroughly before the equipment is used.

WARNING

To prevent irreparable damage to the equipment, do not use force when carrying out any of the following instructions. Because the lamp slides are free to move, handle the ILFOSPEED MULTIGRADE 500H enlarger head with extreme care. Remove the lamps if you feel it is necessary.

1.2 Unpacking

The adaptor kit for the Omega D2, D3 and D5 enlargers consists of the sub-assemblies detailed in table 1.1. Each sub-assembly is packed in a plastic bag, with the part number written on the bag. Please ensure you have all the correct items before proceeding with any of the fitting instructions (see also figure 1.1).

Table 1.1 Adaptor kit

Part no.	Description
6069-2-117	Register plate, 55x55mm
6091-3-010	Light mixing box, 55x55mm
6148-P-002	Sub kit

The sub kit, part number 6148-P-002, consists of the items detailed in table 1.2.

Table 1.2 Sub kit 6148-P-002

Description	Quantity
Adaptor plate	1
Adaptor collar	1
Screw, M3x10mm, countersunk head	4

1.3 Preparing the Omega enlarger head

The Omega enlarger head is counter balanced to be moved up and down the column with the minimum of effort. Before proceeding, ensure the chassis is positioned at a convenient working height and securely locked onto the column.

WARNING

Never lean over counter balanced enlargers; failure of the locking mechanism could cause injury.

To prepare the Omega enlarger head, proceed as follows (refer also to the manufacturer's literature):

- 1 Disconnect the power supply cable from the lamphouse, and unclip the cable from the chassis.
- 2 Release the lamphouse clamping screw above the condenser housing. Lift the lamphouse away.

()

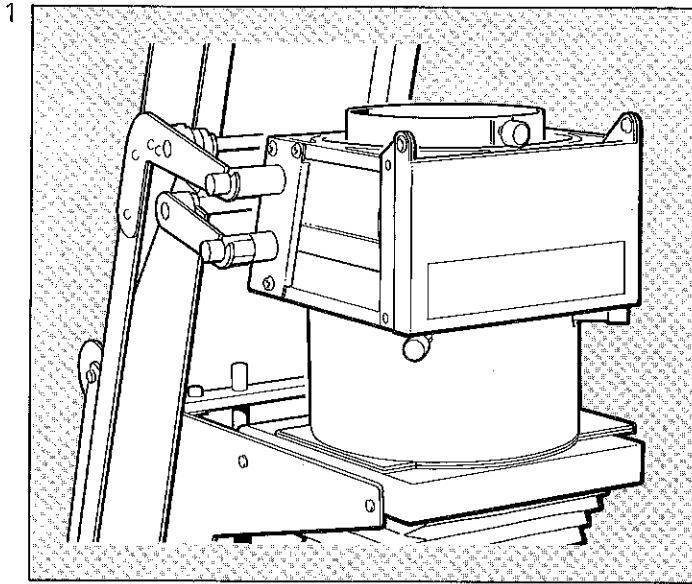
()

()

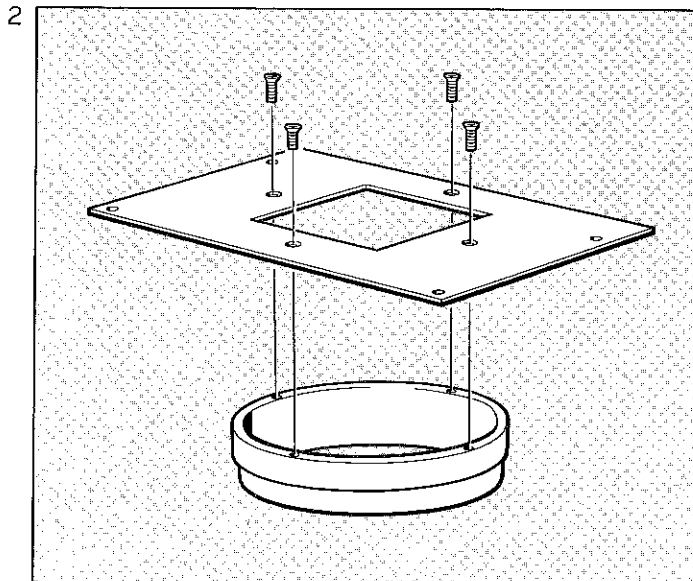
()

2

FITTING THE ILFOSPEED MULTIGRADE 500H ENLARGER HEAD



The Omega enlarger head is now ready to accept the ILFOSPEED MULTIGRADE 500H enlarger head.

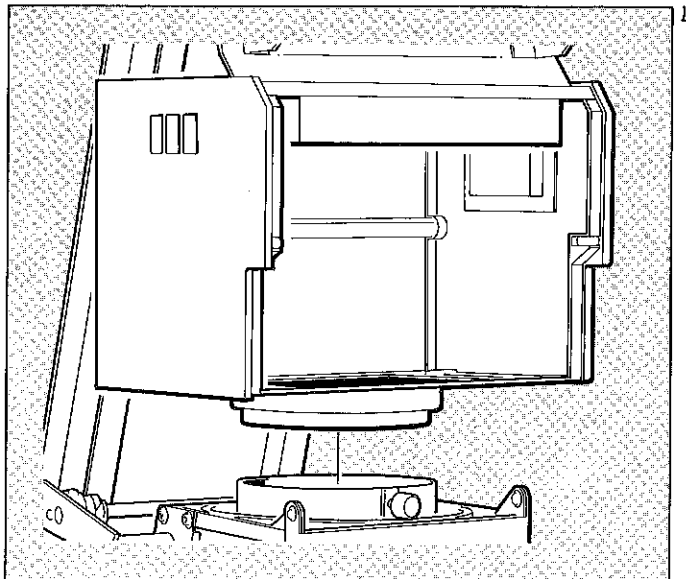
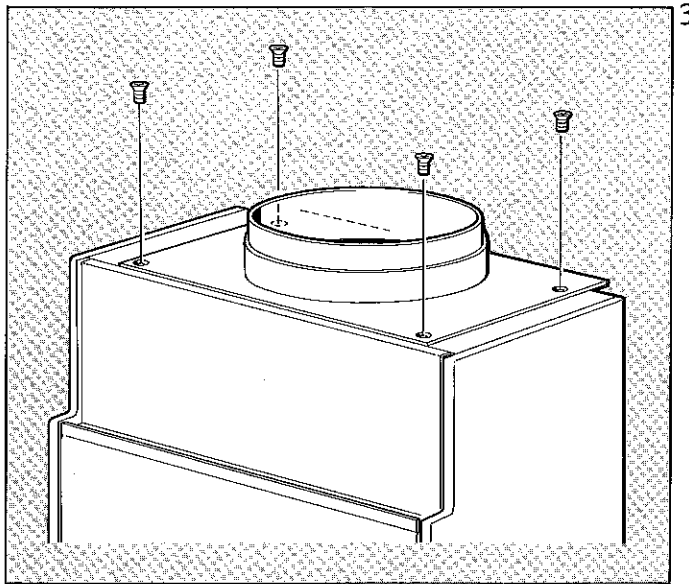


Secure the adaptor collar to the adaptor plate with the four M3x10mm countersunk head screws.

Position the
ILFOSPEED
MULTIGRADE 500H
enlarger head upside
down on a bench.
Remove the four
countersunk head
screws and associated
cup washers from the
base. Discard the cup
washers.

Secure the adaptor
plate assembly to the
head, as shown, using
the four countersunk
head screws removed
above.

Carefully position
the assembly into the
Omega condenser
housing, as shown.
Ensure the assembly
is square to the
housing and seated
securely. Secure the
assembly with the
Omega clamping screw.



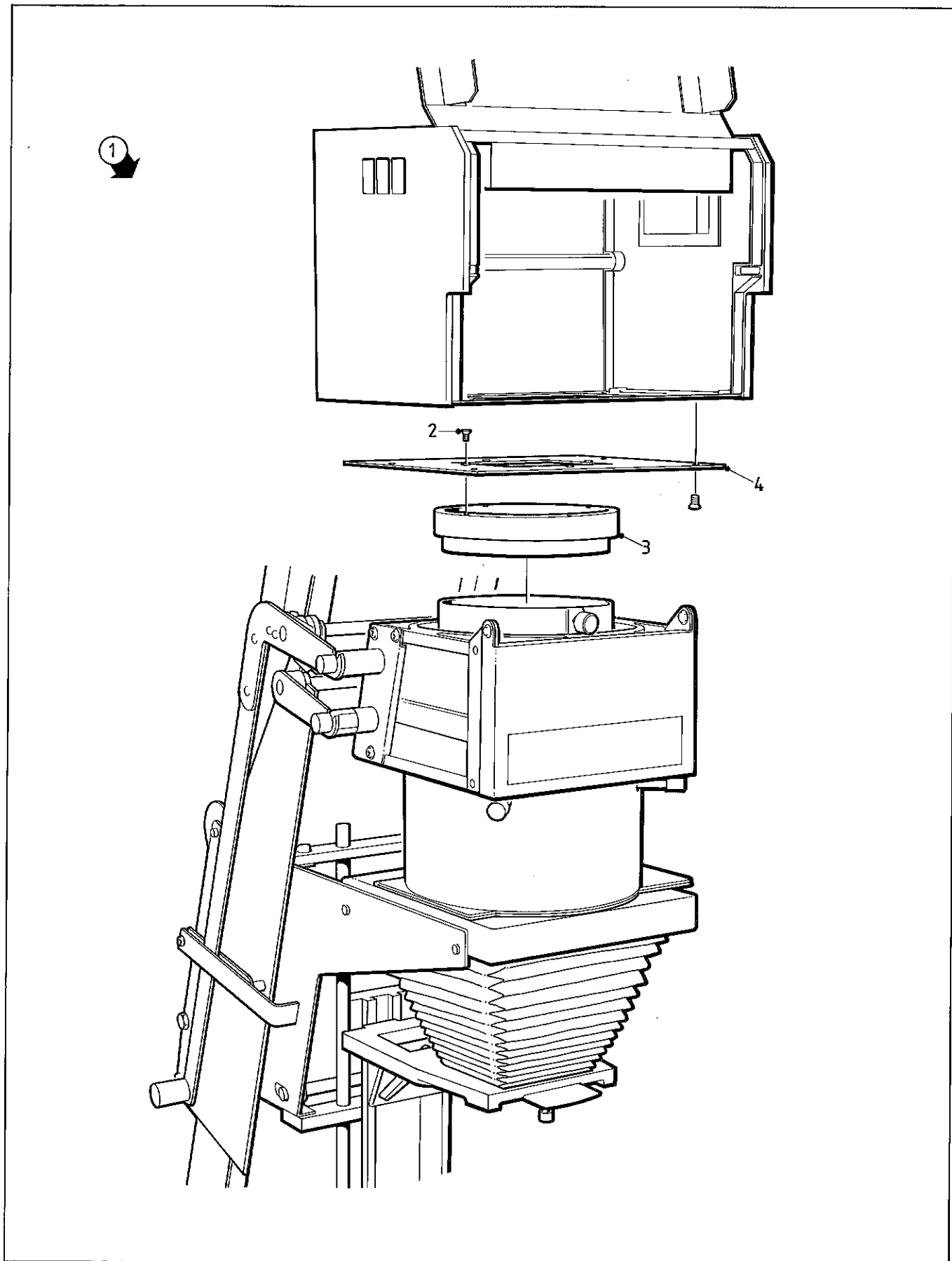


Figure 3.1

3 PARTS LIST

Figure 3.1 and the following table detail all spare parts that are available. When ordering spare parts, please quote the part number in order that ILFORD Limited may process your order quickly and efficiently.

Ref no. on figure 3.1	Part no.	Description	Quantity
1	6148-P-001	Adaptor kit, complete	
2	87990422	Screw, M3x10mm, countersunk head	4
3	6148-3-101	Adaptor collar	1
4	6148-2-100	Adaptor plate	1
5+	6091-3-010	Light mixing box, 55x55mm, 4mm drop	1
6+	6069-2-117	Register plate, 55x55mm	1

+ items not illustrated