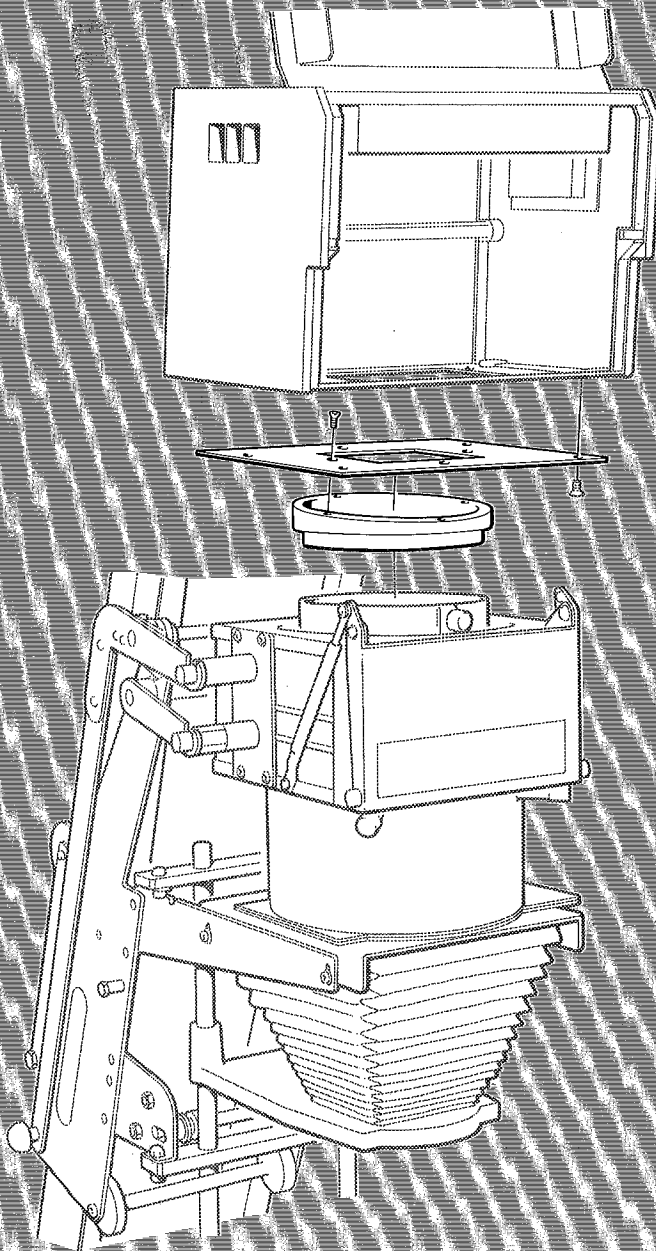


ILFORD MULTIGRADE 500

ADAPTOR KIT
FOR
THE OMEGA D2 AND D3
ENLARGERS



CONDENSER

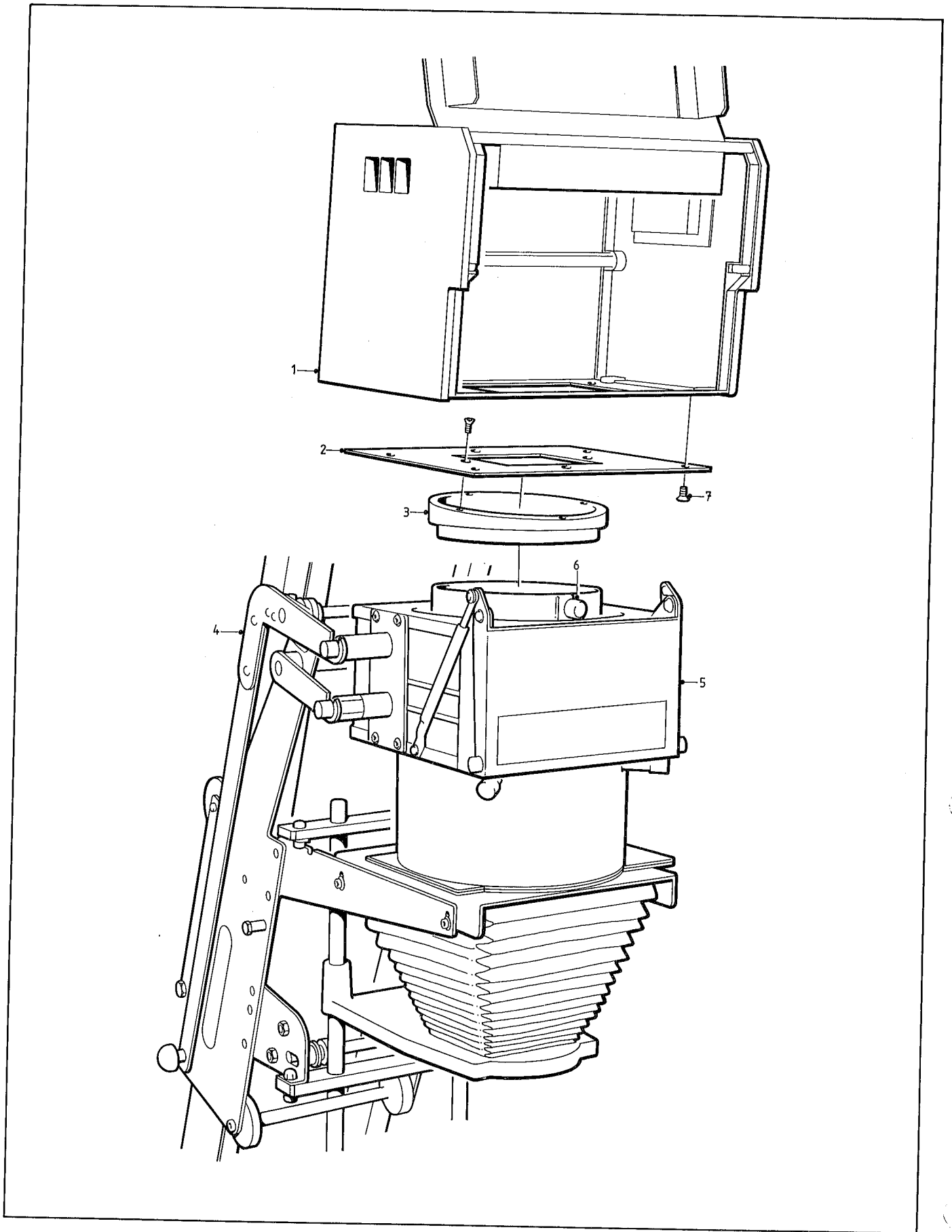


Figure 1.1

1 PRE-INSTALLATION

- 1 MULTIGRADE 500H enlarger head
- 2 Adaptor plate
- 3 Adaptor collar
- 4 Omega D2/D3 chassis
- 5 Condenser housing
- 6 Lamphouse clamping screw
- 7 Securing screw - adaptor plate

1.1 Introduction

The adaptor kit (see figure 1.1) enables the ILFORD MULTIGRADE 500H enlarger head to be fitted to the Omega D2 and D3 enlargers. Installation is straightforward provided the instructions in this leaflet are followed carefully. If you have any problems, please contact your nearest ILFORD selling company, the address of which can be found on the back cover of this leaflet.

Two adaptor kits have been designed to enable the MULTIGRADE 500H enlarger head to be fitted to the Omega D2 and D3 enlargers. The selection of the most appropriate adaptor kit depends on whether diffuse or condensed light is preferred. With this adaptor kit, the original enlarger condensers are retained together with the characteristics associated with a condenser enlarger.

The single light mixing box supplied with this kit is suitable for all negative sizes, limited only by your enlarger.

Note

With this adaptor kit, different condenser positions should still be used for the different negative sizes. Please refer to the Omega recommendations located on the inside of the condenser housing front cover.

Information regarding the fitting of light mixing boxes is detailed in the MULTIGRADE 500 Operating manual, which must be read thoroughly before the equipment is used.

WARNING

To prevent irreparable damage to the equipment, do not use force when carrying out any of the following instructions. Because the lamp slides are free to move, handle the MULTIGRADE 500H enlarger head with extreme care. Remove the lamps if you feel it is necessary.

1.2 Unpacking

The adaptor kit for the Omega D2 and D3 enlargers consists of the sub-assemblies detailed in table 1.1. Each sub-assembly is packed in a plastic bag, with the part number written on the bag. Please ensure you have all the correct items before proceeding with any of the fitting instructions (see also figure 1.1).

Table 1.1 Adaptor kit

Part no.	Description
6069-2-117	Register plate, 55x55mm
6091-P-010	Light mixing box, 55x55mm
6173-P-002	Sub kit

The sub kit, part number 6173-P-002, consists of the items detailed in table 1.2.

Table 1.2 Sub kit 6173-P-002

Description	Quantity
Adaptor plate	1
Adaptor collar	1
Screw, M3x10mm, countersunk head	4

1.3 Preparing the Omega D2 and D3 enlarger head

The Omega D2 and D3 enlarger head is counter balanced to be moved up and down the column with the minimum of effort. Before proceeding, ensure the chassis is positioned at a convenient working height and securely locked onto the column.

WARNING

Never lean over counter balanced enlargers; failure of the locking mechanism could cause injury.

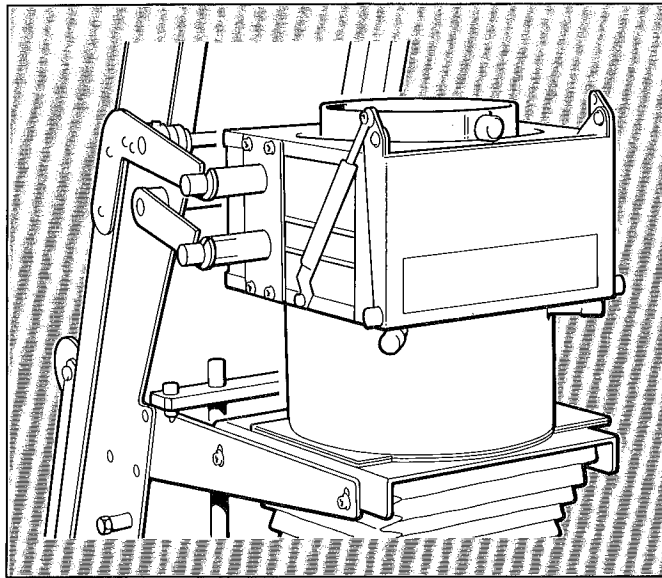
To prepare the Omega D2 and D3 enlarger head, proceed as follows (refer also to the manufacturer's literature):

- 1 Disconnect the power supply cable from the lamphouse, and unclip the cable from the chassis.
- 2 Release the lamphouse clamping screw above the condenser housing. Lift the lamphouse away.

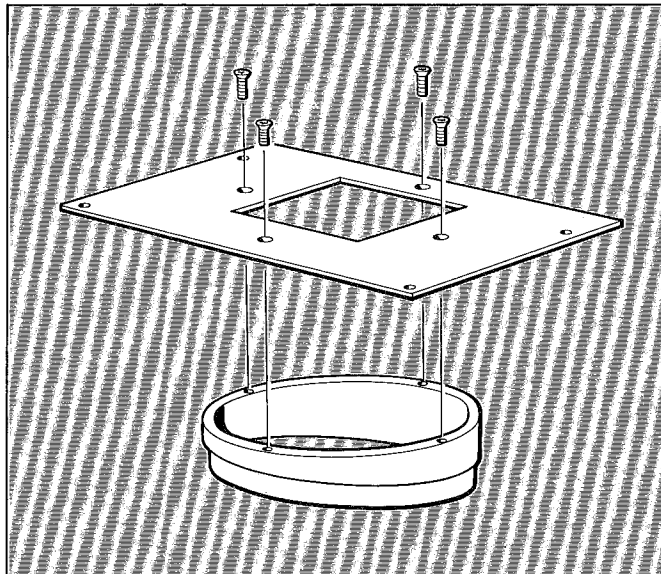
2

FITTING THE MULTIGRADE 500H ENLARGER HEAD

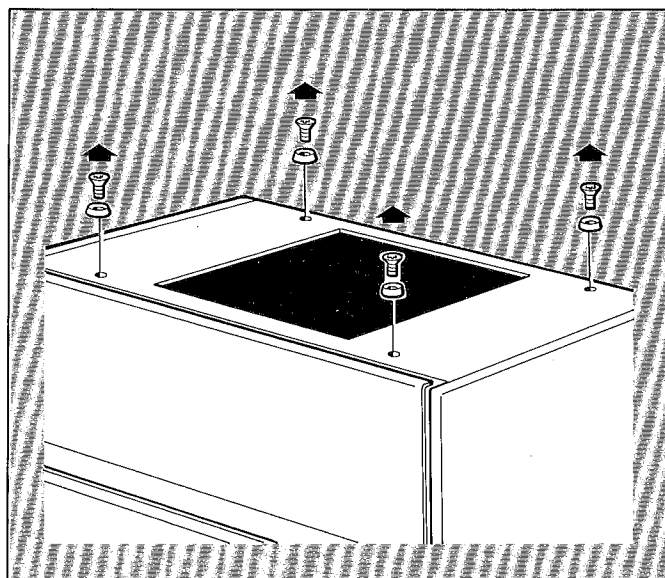
The Omega enlarger is now ready to accept the MULTIGRADE 500H enlarger head.

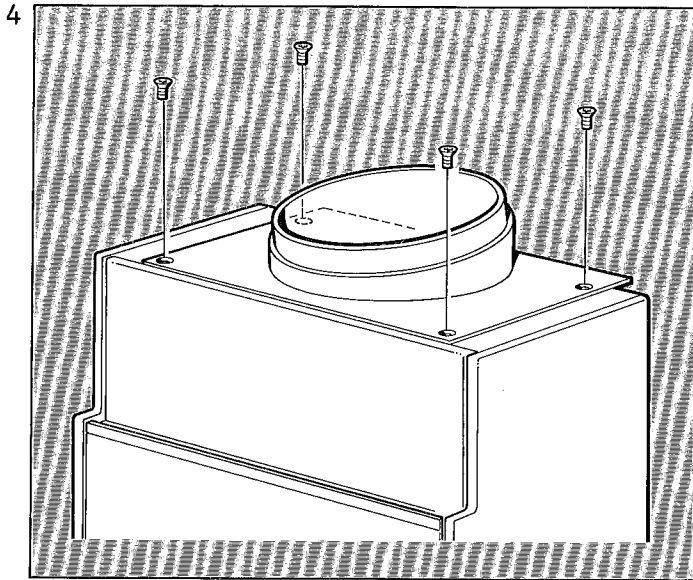


Secure the tapered collar to the adaptor plate with the four M3x10mm countersunk head screws, ensuring correct orientation as shown.

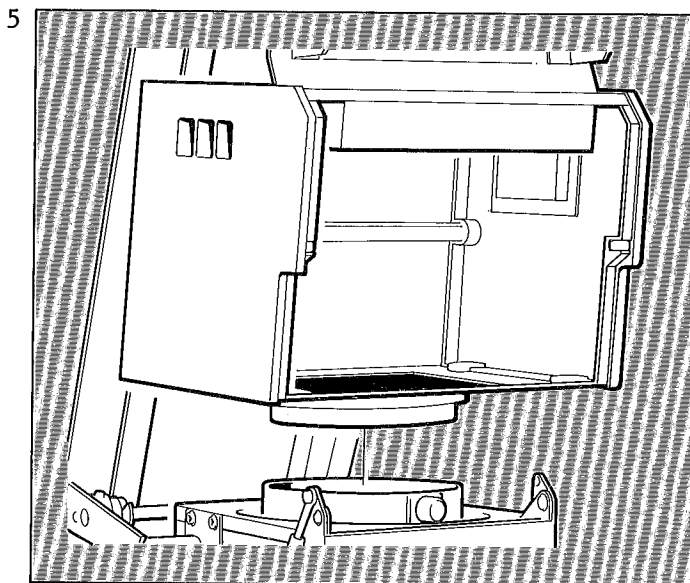


Position the MULTIGRADE 500H enlarger head upside down on a bench. Remove the four countersunk head screws and associated cup washers from the base. Discard the cup washers.





Secure the adaptor plate assembly to the head, using the four countersunk head screws removed above.



Carefully position the assembly into the Omega condenser housing, as shown. Ensure the assembly is square to the housing and seated securely. Secure the assembly with the Omega clamping screw.

Note

With this adaptor kit the MULTIGRADE 500H enlarger head will be angled forwards. This is intentional and in no way reduces its performance.



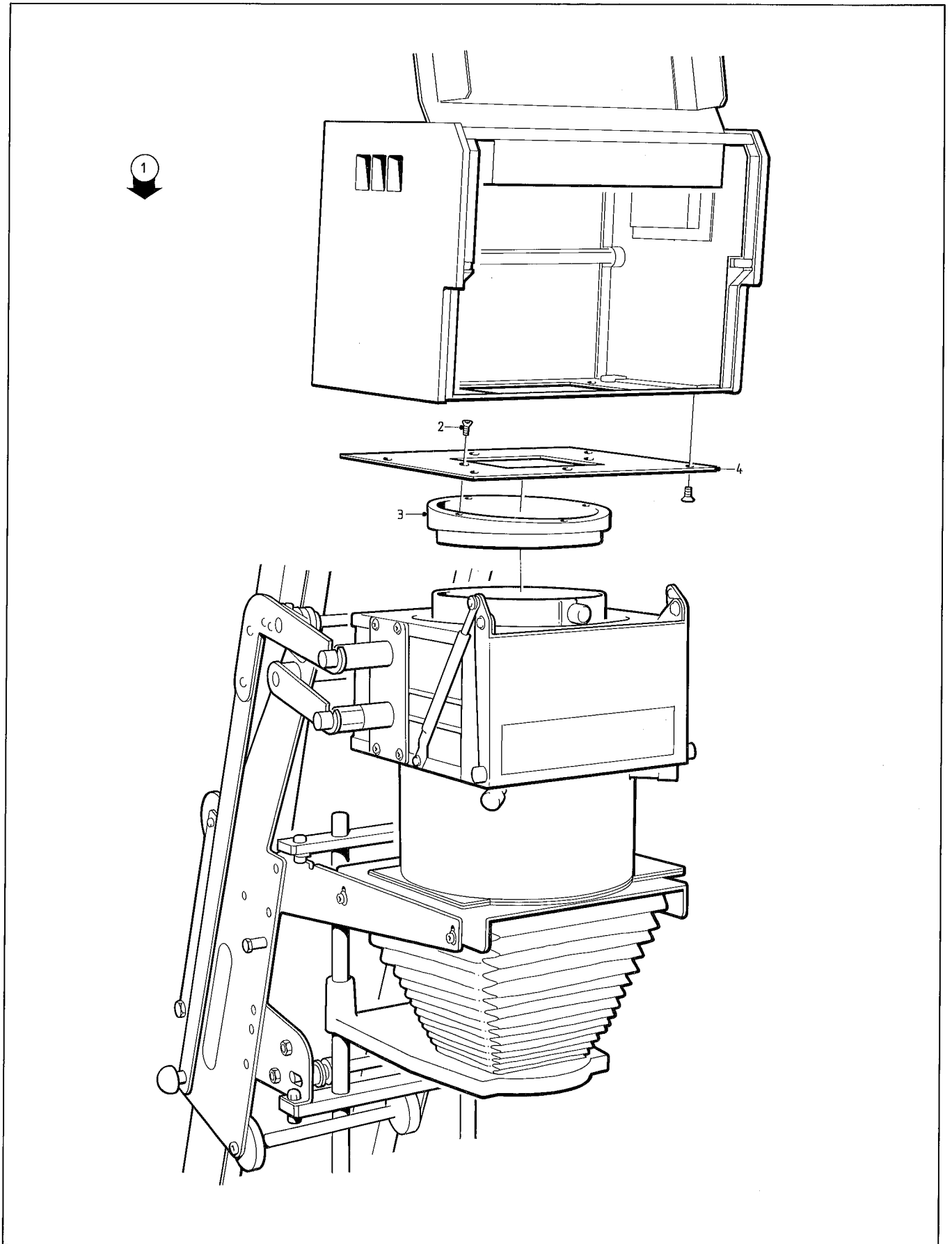


Figure 3.1

3

PARTS LIST

Figure 3.1 and the following table detail all spare parts that are available. When ordering spare parts, please quote the part number in order that ILFORD Limited may process your order quickly and efficiently.

Ref no. on figure 3.1	Part no.	Description	Quantity
1	6173-P-001	Adaptor kit, complete	
2	87990422	Screw, M3x10mm, countersunk head	4
3	6173-3-100	Adaptor collar	1
4	6148-2-100	Adaptor plate	1
5+	6091-P-010	Light mixing box, 55x55mm, 4mm drop	1
6+	6069-2-117	Register plate, 55x55mm	1

+ items not illustrated