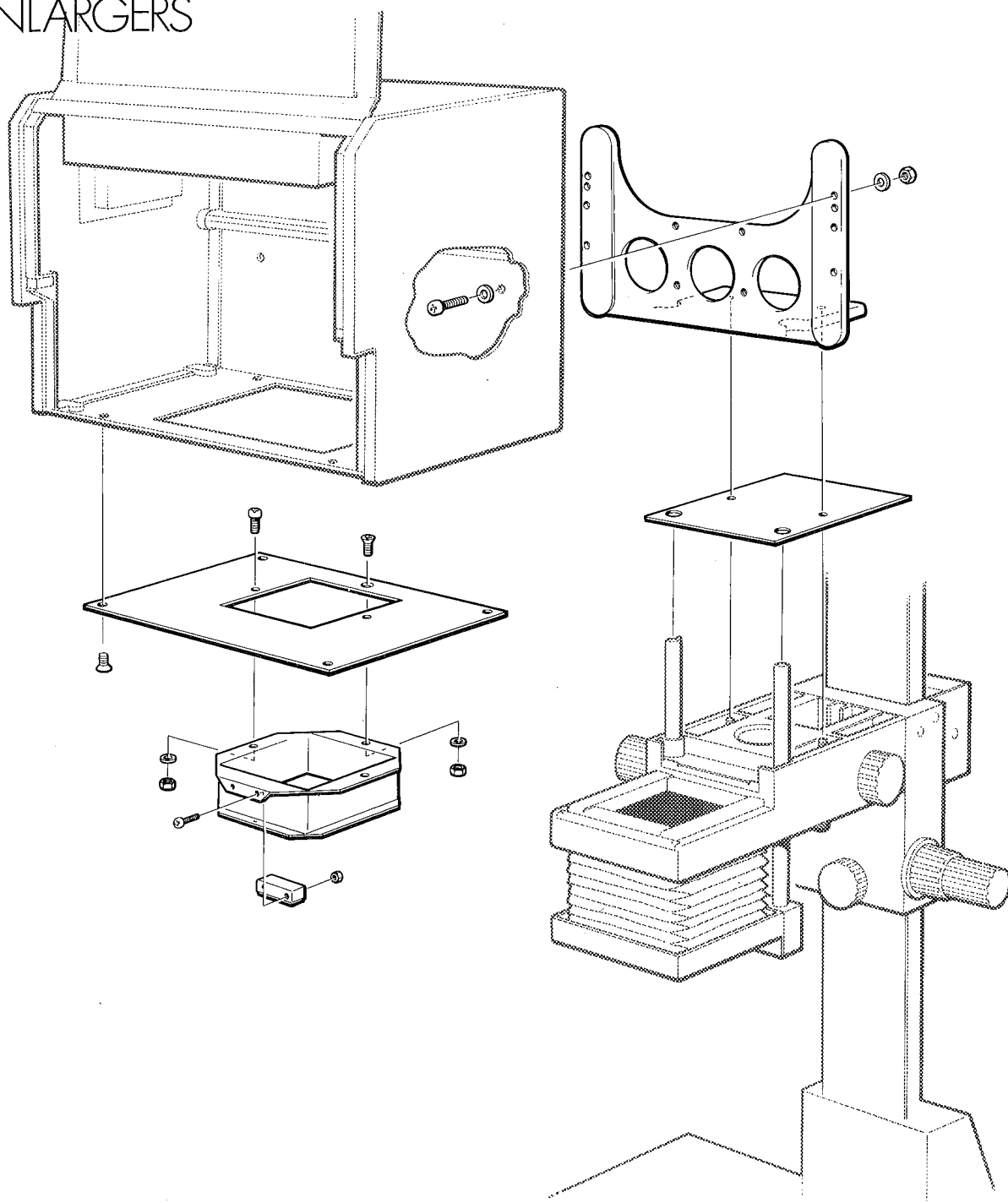


ILFOSPEED MULTIGRADE 500

ADAPTOR KIT FOR
THE DURST M805 & M705
ENLARGERS



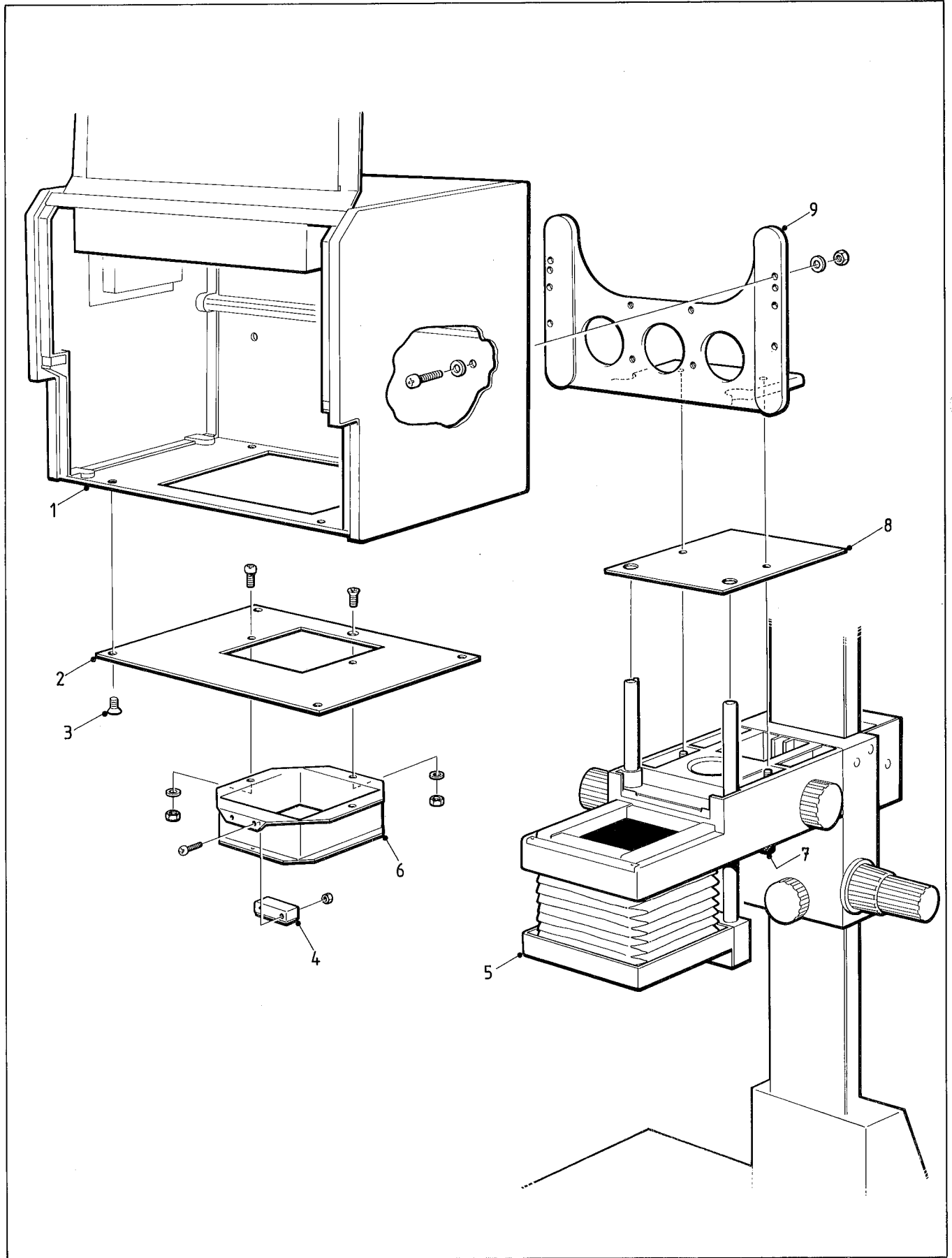


Figure 1.1

1 PRE-INSTALLATION

- 1 ILFOSPEED
MULTIGRADE 500H
enlarger head
- 2 Bottom closing
plate
- 3 Securing screw -
bottom closing
plate
- 4 Magnetic catch
- 5 Durst M805 chassis
- 6 Negative mask
- 7 Captive knurled
screw
- 8 Cover plate
- 9 Back mounting
bracket

1.1 Introduction

The adaptor kit (see figure 1.1) enables the ILFOSPEED MULTIGRADE 500H enlarger head to be fitted to the Durst M805 and M705 enlargers. Installation is straightforward provided the instructions in this manual are carefully followed. If you have any problems, please contact your nearest ILFORD selling company, the address of which can be found on the back cover of this manual.

Information regarding the fitting and changing of light mixing boxes is detailed in the ILFOSPEED MULTIGRADE 500 Operating manual, which must be read thoroughly before the equipment is used.

WARNING

To prevent irreparable damage to the equipment, do not use force when carrying out any of the following instructions. Because the lamp slides are free to move, handle the ILFORD ILFOSPEED MULTIGRADE 500H enlarger head with extreme care. Remove the lamps if you feel it is necessary.

1.2 Unpacking

The adaptor kit for the Durst M805 and M705 enlargers consists of the sub-assemblies detailed in table 1.1. Each sub-assembly is packed in a plastic bag, with the part number written on the bag. Please ensure you have all the correct items before proceeding with any of the fitting instructions (see also figure 1.1).

Table 1.1 Adaptor kit

Part no.	Description
6069-2-106	Register plate, 35mm
6069-2-107	Register plate, 6x7cm
6091-3-004	Light mixing box, 35mm
6092-3-004	Light mixing box, 6x7cm
6069-2-111	Bottom closing plate
6107-2-100	Cover plate
6107-P-002	Sub kit
6105-P-003	Sub kit

The sub kit, part number 6107-P-002, consists of the items detailed in table 1.2.

Table 1.2 Sub kit 6107-P-002

Description	Quantity
Negative mask	1
Magnet	1
Screw, M3x6mm, pan head	2
Screw, M3x6mm, countersunk head	1
Screw, M3x12mm, pan head	2
Nut, M3	5
Washer, M3, plain	3

The sub kit, part number 6105-P-003, consists of the items detailed in table 1.3.

Table 1.3 Sub kit 6105-P-003

Description	Quantity
Back mounting bracket	1
Nut, M4	2
Washer, M4, plain	4
Screw, M4x20mm, pan head	2

1.3 Removing the Durst enlarger head

The Durst M805 and M705 enlarger heads are counter balanced to be moved up and down the column with the minimum of effort. Before proceeding, ensure the chassis is positioned at a convenient working height and securely locked onto the column.

WARNING

Never lean over counter balanced enlargers; failure of the locking mechanism could cause injury.

If removing a black and white enlarger head, carry out all the following operations. If removing a colour enlarger head, carry out operations 1 and 5 only.

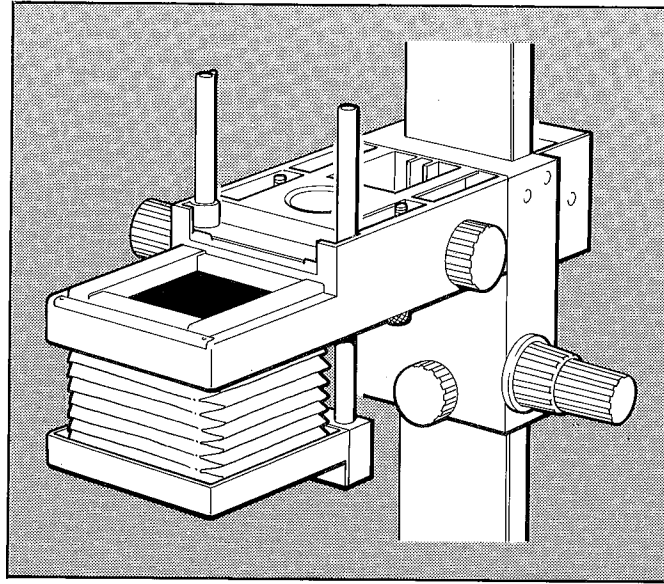
To remove the Durst enlarger head, proceed as follows (refer also to the manufacturer's literature):

- 1 Remove the negative carrier.
- 2 Carefully remove the condenser or light mixing box.
- 3 Lift off the lamphouse cover and remove the enlarger lamp.
- 4 Release the locking screw on the back of the lampholder below the chassis, and remove the lampholder downwards. Re-tighten the locking screw.
- 5 Support the enlarger head and release the two captive knurled screws located below the enlarger chassis. Lift off the enlarger head.

2

FITTING THE ILFOSPEED MULTIGRADE 500H ENLARGER HEAD

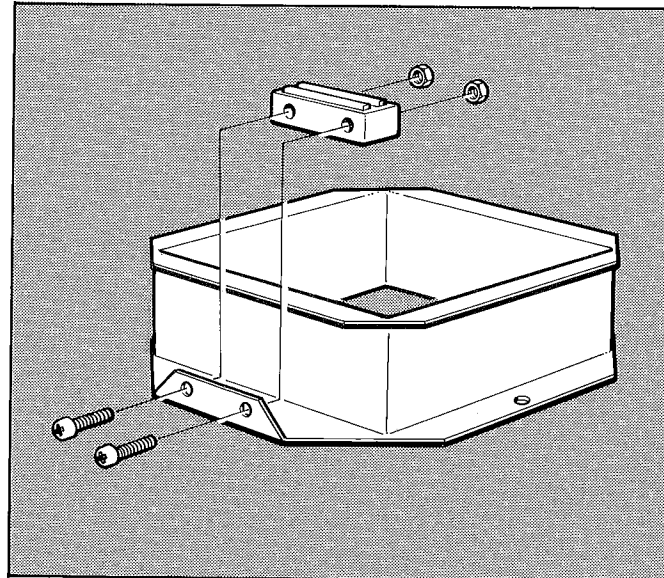
With the Durst enlarger head removed, the enlarger is ready to accept the ILFOSPEED MULTIGRADE 500H enlarger head.

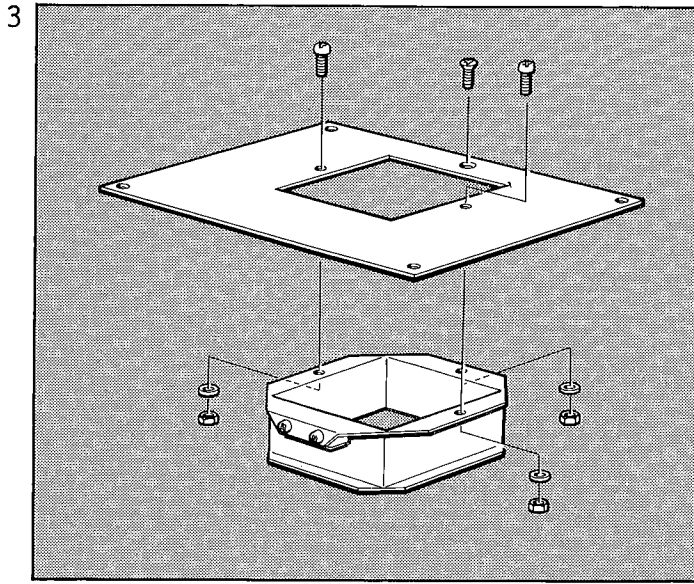


Secure the magnetic catch to the negative mask with the two M3x12mm pan head screws and associated nuts. The magnetic catch will retain the negative carrier in the open position when required.

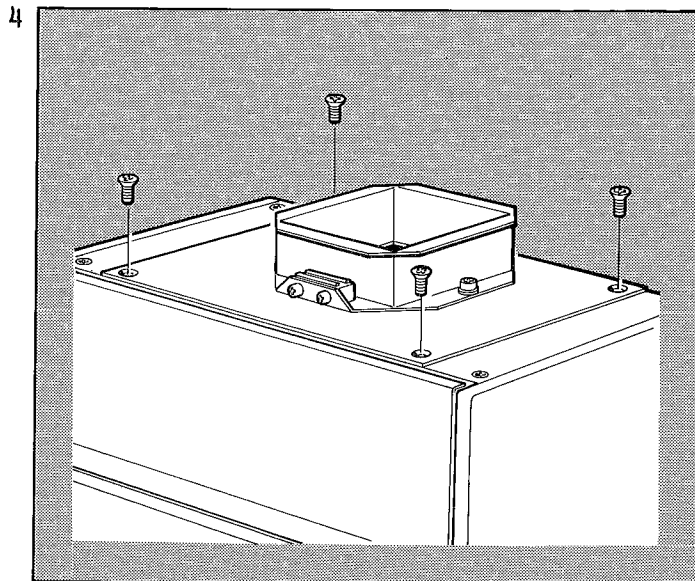
Note

Discard the striker portion of the magnetic catch.





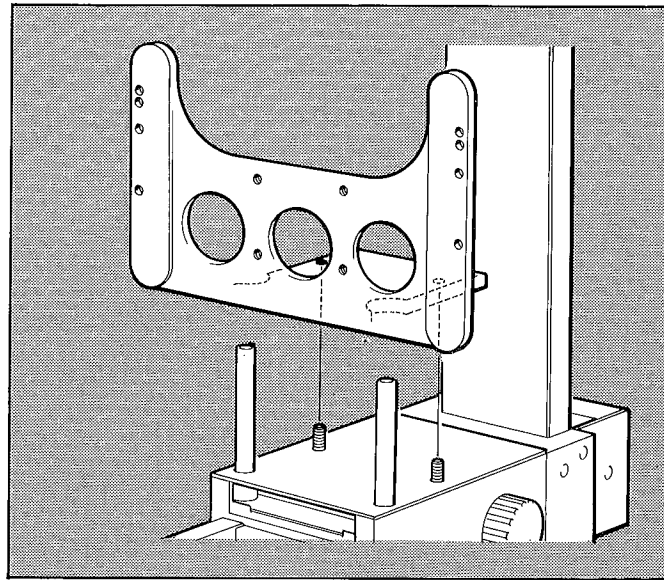
Secure the negative mask to the bottom closing plate with the M3x6mm countersunk head screw, and the two M3x6mm pan head screws and associated nuts and washers.



Position the ILFOSPEED MULTIGRADE 500H enlarger head upside down on a bench. Remove the four countersunk head screws and associated cup washers from the base. Discard the cup washers.

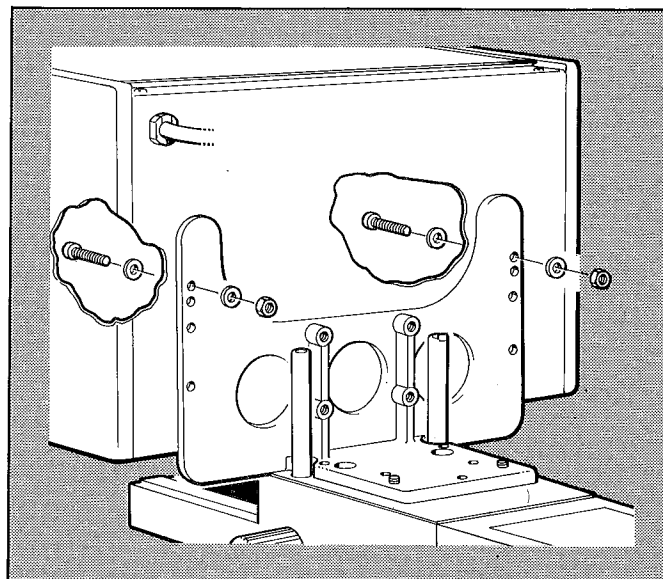
Secure the negative mask assembly to the base of the enlarger head using the four countersunk head screws removed above.

Position the cover plate and the back mounting bracket on the enlarger chassis. Secure with the enlarger captive knurled screws. Ensure the back mounting bracket is seated squarely on the enlarger chassis.



5

With the enlarger head the correct way up, raise the front cover and move both lamps towards each other to expose the two fixing holes in the rear panel. Push out the blanking plugs. Secure the enlarger head to the back mounting bracket with the two M4x20mm pan head screws and associated nuts and washers as shown.



6

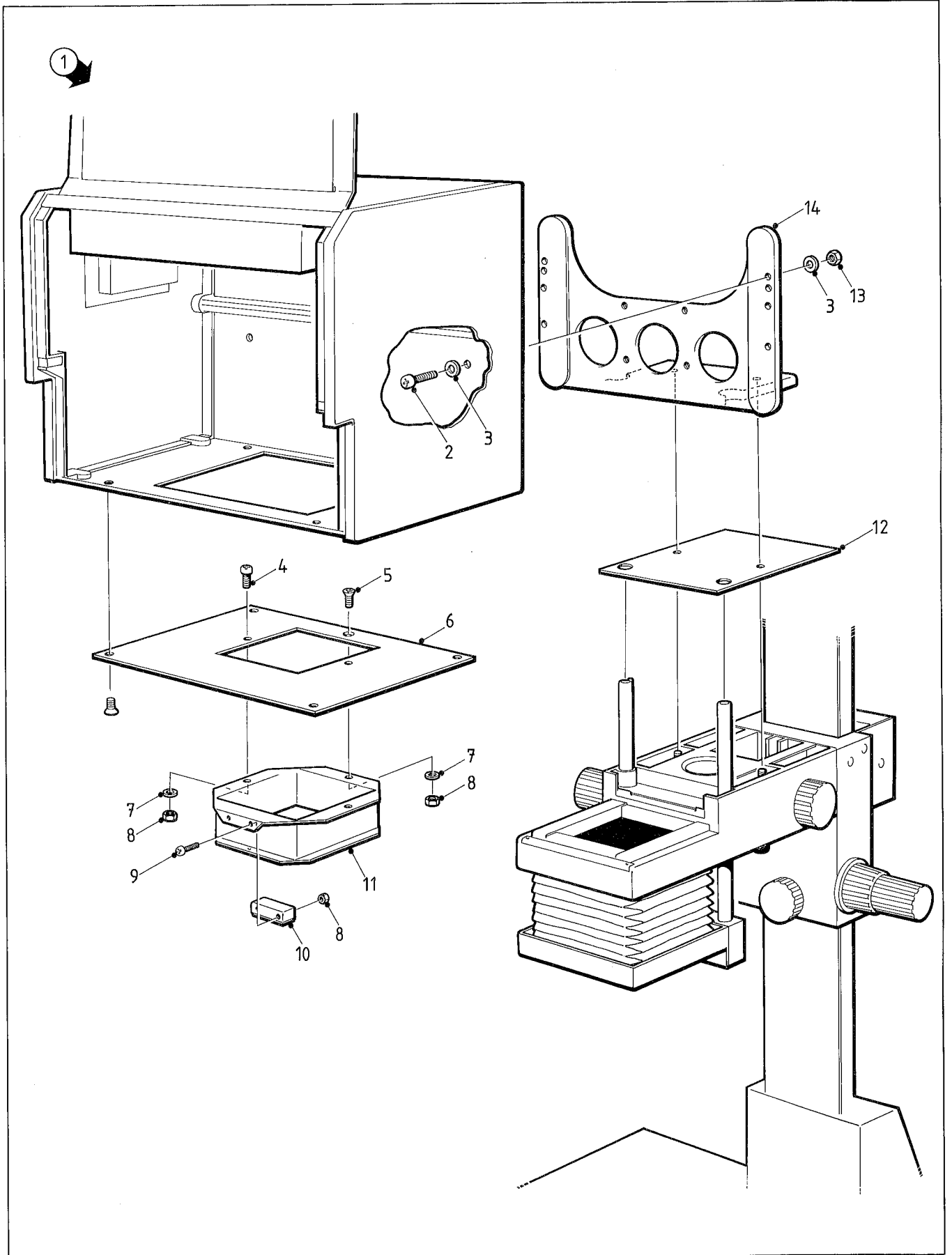


Figure 3.1

3

PARTS LIST

Figure 3.1 and the following table detail all spare parts that are available. When ordering spare parts, please quote the part number in order that ILFORD Limited may process your order quickly and efficiently.

Ref no. on figure 3.1	Part no.	Description	Quantity
1	6107-P-001	Adaptor kit, complete	
2	87989775	Screw, M4x20mm, pan head	2
3	89730454	Washer, M4, plain	4
4	87989743	Screw, M3x6mm, pan head	2
5	87990420	Screw, M3x6mm, countersunk head	1
6	6069-2-111	Bottom closing plate	1
7	89730453	Washer, M3, plain	3
8	86203903	Nut, M3	5
9	87989746	Screw, M3x12mm, pan head	2
10	85657705	Magnet	1
11	6097-2-101	Negative mask	1
12	6107-2-100	Cover plate	1
13	86203904	Nut, M4	2
14	6105-1-100	Back mounting bracket	1
15+	6069-2-106	Register plate, 35mm	1
16+	6069-2-107	Register plate, 6x7cm	1
17+	6091-3-004	Light mixing box, 35mm, 40mm drop	1
18+	6092-3-004	Light mixing box, 6x7cm, 40mm drop	1

+ items not illustrated.