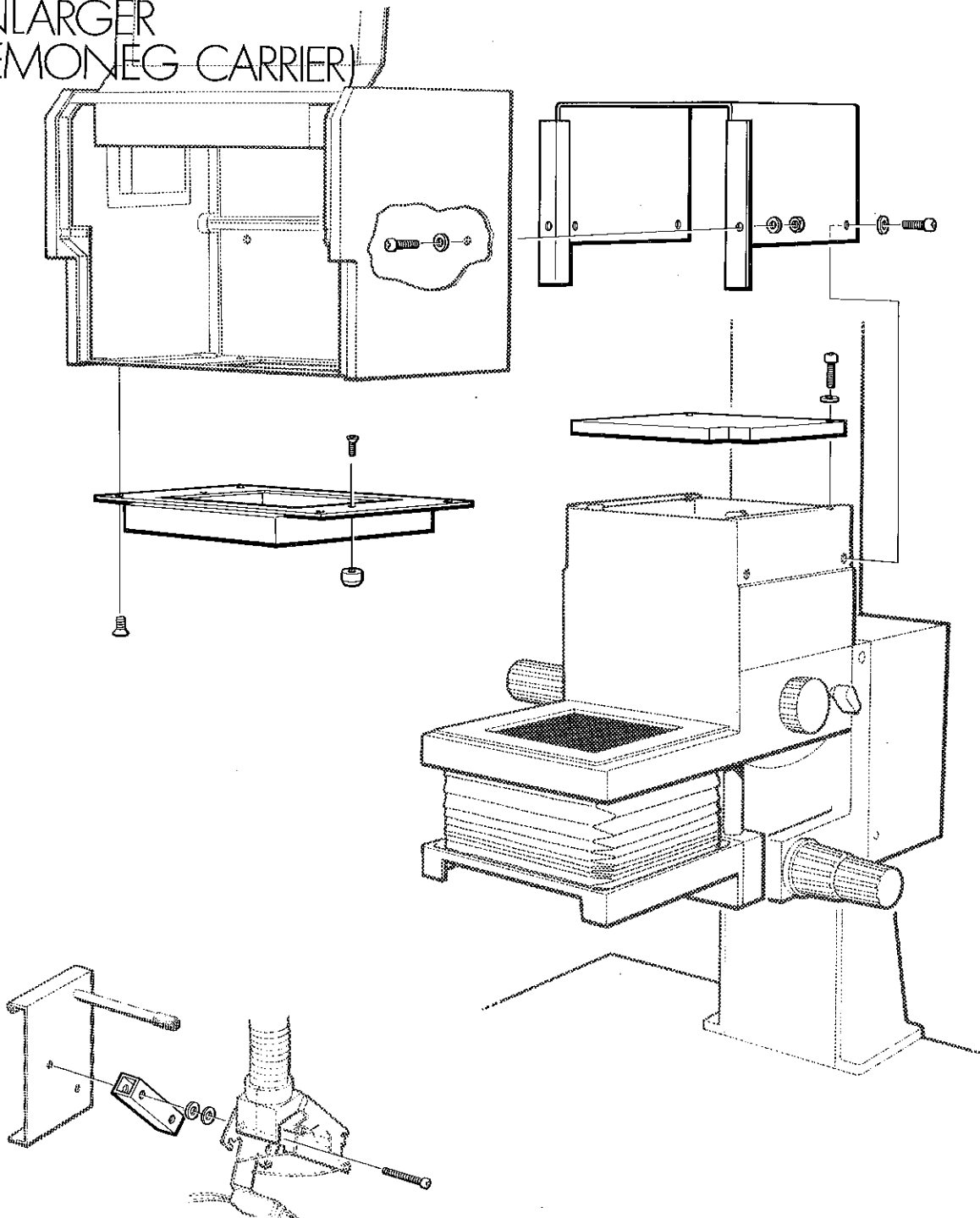


ILFOSPEED MULTIGRADE 500

ADAPTOR KIT FOR
THE DURST L1200
ENLARGER
(FEMONEG CARRIER)



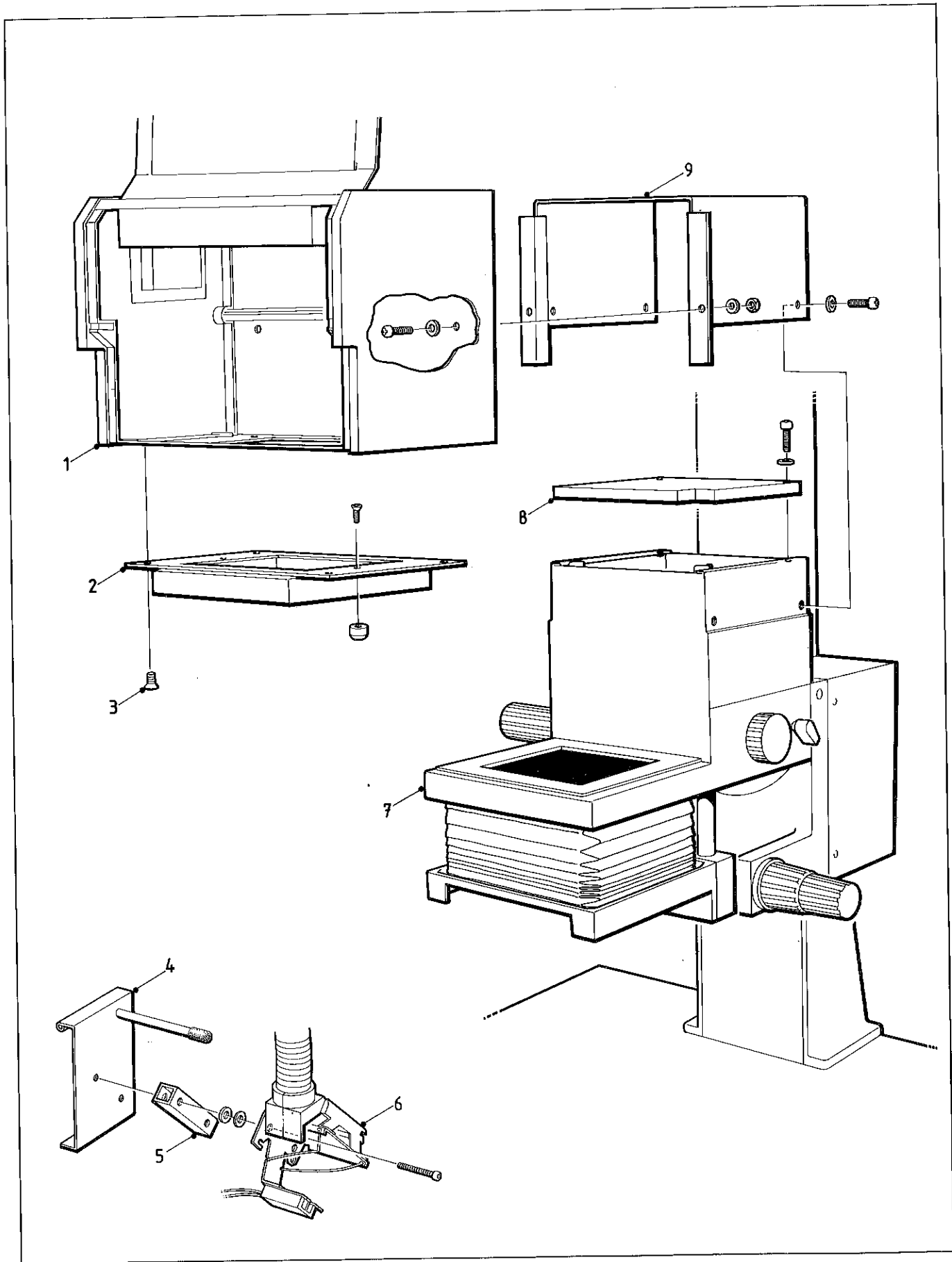


Figure 1.1

1 PRE-INSTALLATION

- 1 ILFOSPEED MULTIGRADE 500H enlarger head
- 2 Mask assembly
- 3 Securing screw - mask assembly
- 4 Lampholder - left hand
- 5 Packing block
- 6 Lampholder - right hand
- 7 Durst L1200 chassis
- 8 Counter balance weight
- 9 Cover assembly

1.1 Introduction

The adaptor kit (see figure 1.1) enables the ILFOSPEED MULTIGRADE 500H enlarger head to be fitted to the Durst L1200 enlarger (Femoneg carrier). Installation is straightforward provided the instructions in this manual are carefully followed. If you have any problems, please contact your nearest ILFORD selling company, the address of which can be found on the back cover of this manual.

Information regarding the fitting and changing of light mixing boxes is detailed in the ILFOSPEED MULTIGRADE 500 Operating manual, which must be read thoroughly before the equipment is used.

WARNING

To prevent irreparable damage to the equipment, do not use force when carrying out any of the following instructions. Because the lamp slides are free to move, handle the ILFORD ILFOSPEED MULTIGRADE 500H enlarger head with extreme care. Remove the lamps if you feel it is necessary.

1.2 Unpacking

The adaptor kit for the Durst L1200 enlarger consists of the sub-assemblies detailed in table 1.1. Each sub-assembly is packed in a plastic bag, with the part number written on the bag. Please ensure you have all the correct items before proceeding with any of the fitting instructions (see also figure 1.1).

ERRATA

Figure 1.1

Item 4 should read:
Lampholder slide -
left hand

Item 6 should read:
Lampholder - left
hand

3 Parts list

Item 10, part no.
should read:
87989749

Table 1.1 Adaptor kit

Part no.	Description
6069-2-108	Register plate, 35mm
6069-2-109	Register plate, 6x7cm
6091-3-003	Light mixing box, 35mm
6092-3-003	Light mixing box, 6x7cm
6093-3-002	Light mixing box, 4x5 inches
6104-3-106	Counter balance weight
6069-P-002	Packing block sub kit
6104-P-004	Sub kit

The packing block sub kit, part number 6069-P-002, consists of the items detailed in table 1.2.

**Table 1.2 Packing block sub kit
6069-P-002**

Description	Quantity
Packing block	2
Screw, M3x25mm, pan head	4
Washer, M3, plain	8

The sub kit, part number 6104-P-004, consists of the items detailed in table 1.3.

Table 1.3 Sub kit 6104-P-004

Description	Quantity
Mask assembly	1
Cover assembly	1
Latch button	2
Screw, M3x6mm, countersunk head	2
Screw, M4x10mm, pan head	6
Screw, M4x16mm, pan head	2
Nut, M4	2
Washer, M4, plain	10

1.3 Removing the Durst enlarger head

The Durst L1200 enlarger head is counter balanced to be moved up and down the column with the minimum of effort. Before proceeding, ensure the chassis is positioned at a convenient working height and securely locked onto the column.

WARNING

Never lean over counter balanced enlargers; failure of the locking mechanism could cause injury.

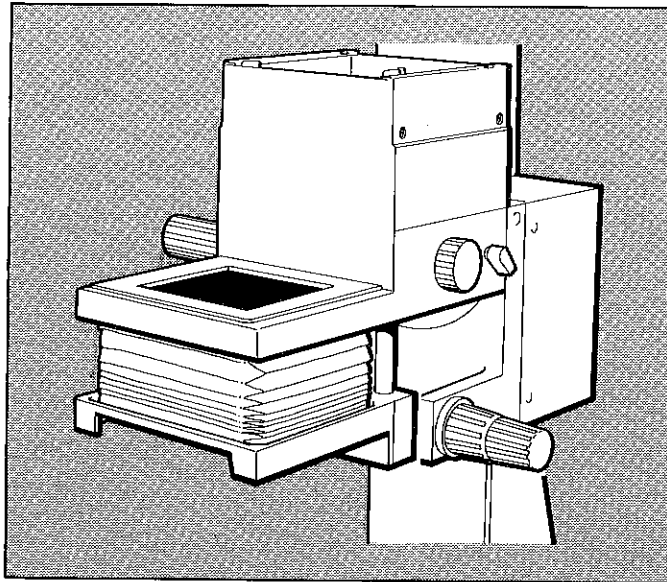
To remove the Durst enlarger head, proceed as follows (refer also to the manufacturer's literature):

- 1 Remove the negative carrier.
- 2 Carefully remove the condenser or light collecting box.
- 3 Slide out the masking plate (below the negative carrier).
- 4 Support the lamphouse. Release the six knurled plastic knobs, two located on each side and two on top of the lamphouse rear cover. Lift off the lamphouse.

2

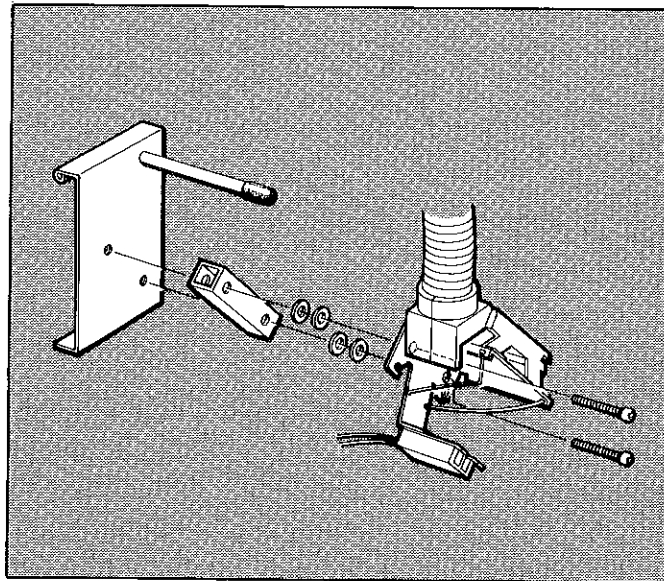
FITTING THE ILFOSPEED MULTIGRADE 500H ENLARGER HEAD

With the Durst enlarger head removed, the enlarger is ready to accept the ILFOSPEED MULTIGRADE 500H enlarger head.



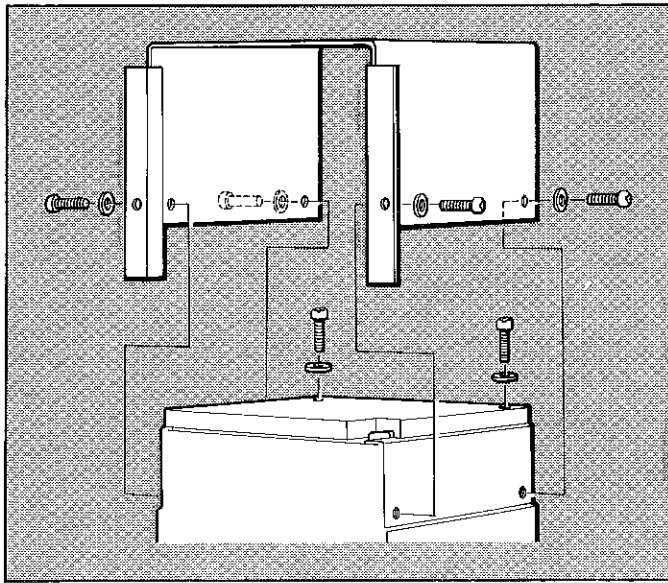
1

Remove the two lamps and the two screws securing each lampholder to its slide. Re-assemble the left hand lampholder to the slide using the spacer block, two of the four M3x25mm pan head screws and associated washers as shown. Repeat on the right hand lampholder. Ensure full movement of the lampholders. Refit the lamps.



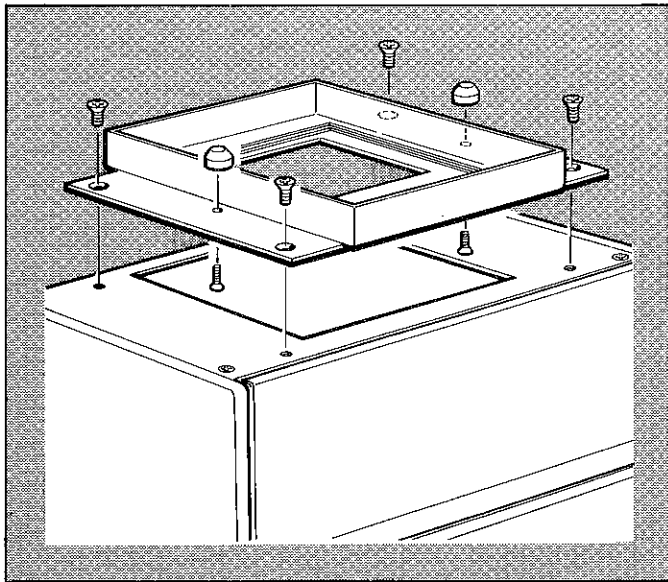
2

3



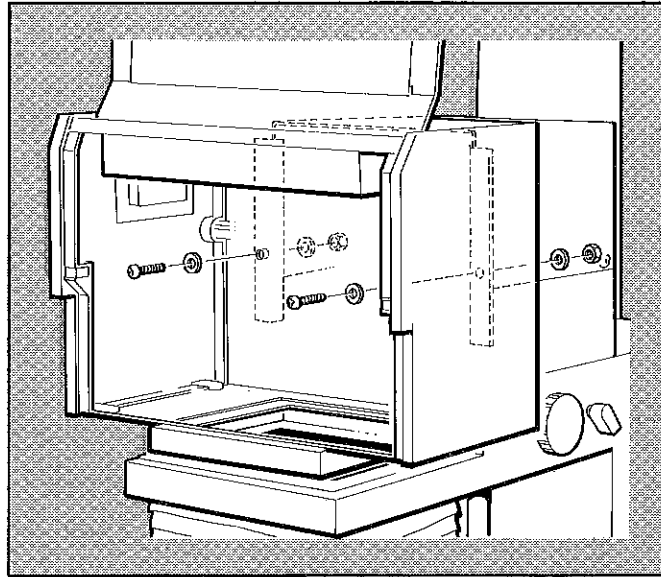
Secure the counter balance weight to the top of the enlarger chassis with the two M4x16mm pan head screws and associated washers. Ensure the cut out is positioned at the front right hand side, as shown. Secure the cover assembly to the chassis with the four M4x10mm pan head screws and associated washers.

4



Secure the two latch buttons to the negative mask assembly with the two M3x6mm countersunk head screws. Remove the four countersunk head screws and associated cup washers from the base of the enlarger head. Discard the cup washers. Secure the negative mask assembly to the head using the four countersunk head screws removed above.

With the enlarger head the correct way up, raise the front cover and move both lamps towards each other to expose the two fixing holes in the rear panel. Push out the blanking plugs. Secure the enlarger head to the cover assembly with the two M4x10mm pan head screws and associated nuts and washers.



WARNING

Do not carry out operation 5 with the negative carrier in position and the enlarger head resting on it. The negative carrier runs on ball races and it is possible that both the carrier and enlarger head will roll off the chassis.

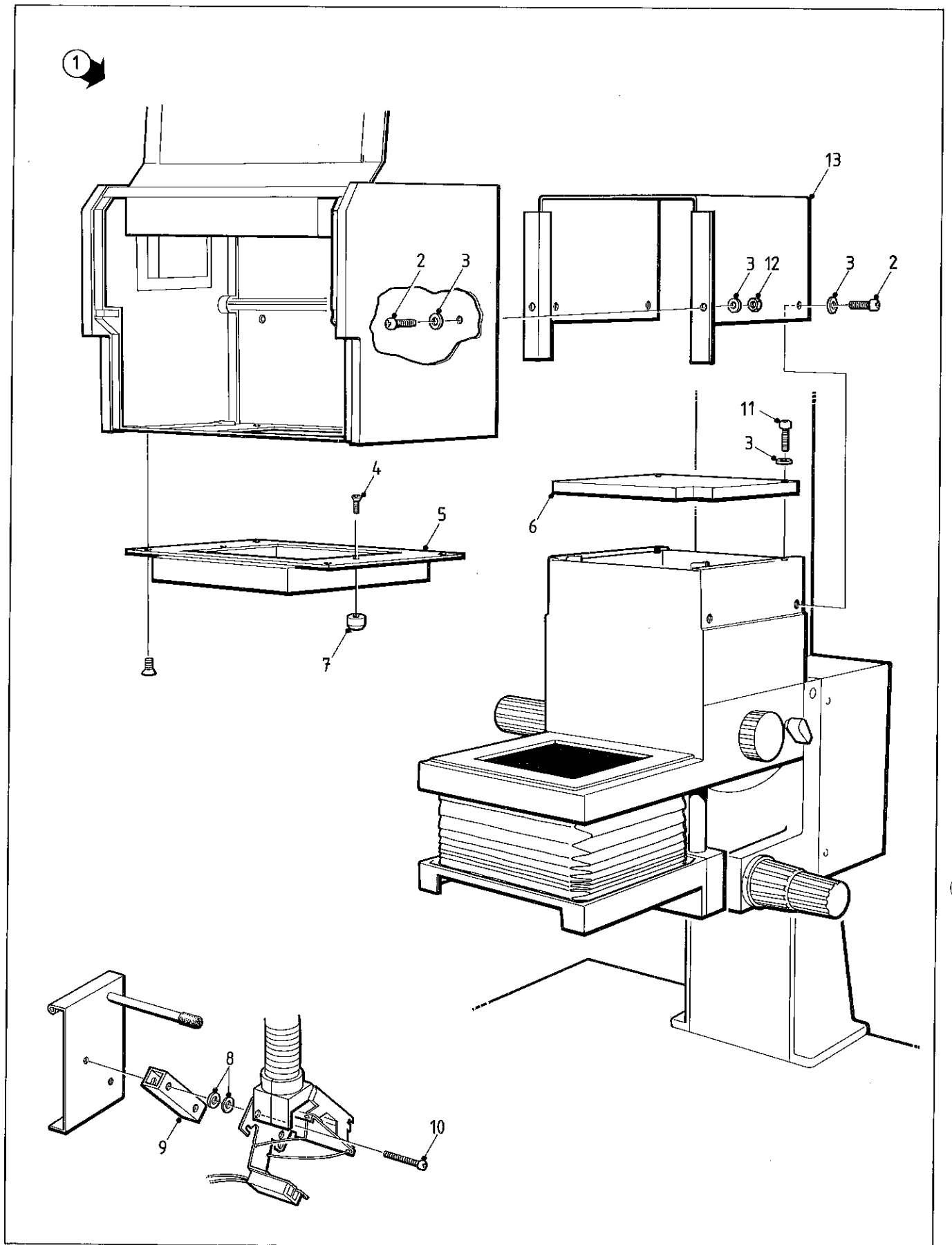


Figure 3.1

3

PARTS LIST

Figure 3.1 and the following table detail all spare parts that are available. When ordering spare parts, please quote the part number in order that ILFORD Limited may process your order quickly and efficiently.

Ref no. on figure 3.1	Part no.	Description	Quantity
1	6104-P-001	Adaptor kit, complete	
2	87989772	Screw, M4x10mm, pan head	6
3	89730454	Washer, M4, plain	10
4	87990420	Screw, M3x6mm, countersunk head	2
5	6104-2-105	Mask assembly	1
6	6104-3-106	Counter balance weight	1
7	6104-4-104	Latch button	2
8	89730453	Washer, M3, plain	8
9	6069-4-110	Packing block	2
10	87990426	Screw, M3x25mm, pan head	4
11	87989774	Screw, M4x16mm, pan head	2
12	86203904	Nut, M4	2
13	6104-1-002	Cover assembly	1
14+	6069-2-108	Register plate, 35mm	1
15+	6069-2-109	Register plate, 6x7cm	1
16+	6091-3-003	Light mixing box, 35mm, 25mm drop	1
17+	6092-3-003	Light mixing box, 6x7cm, 25mm drop	1
18+	6093-3-002	Light mixing box, 4x5 inches, 25mm drop	1

+ items not illustrated.