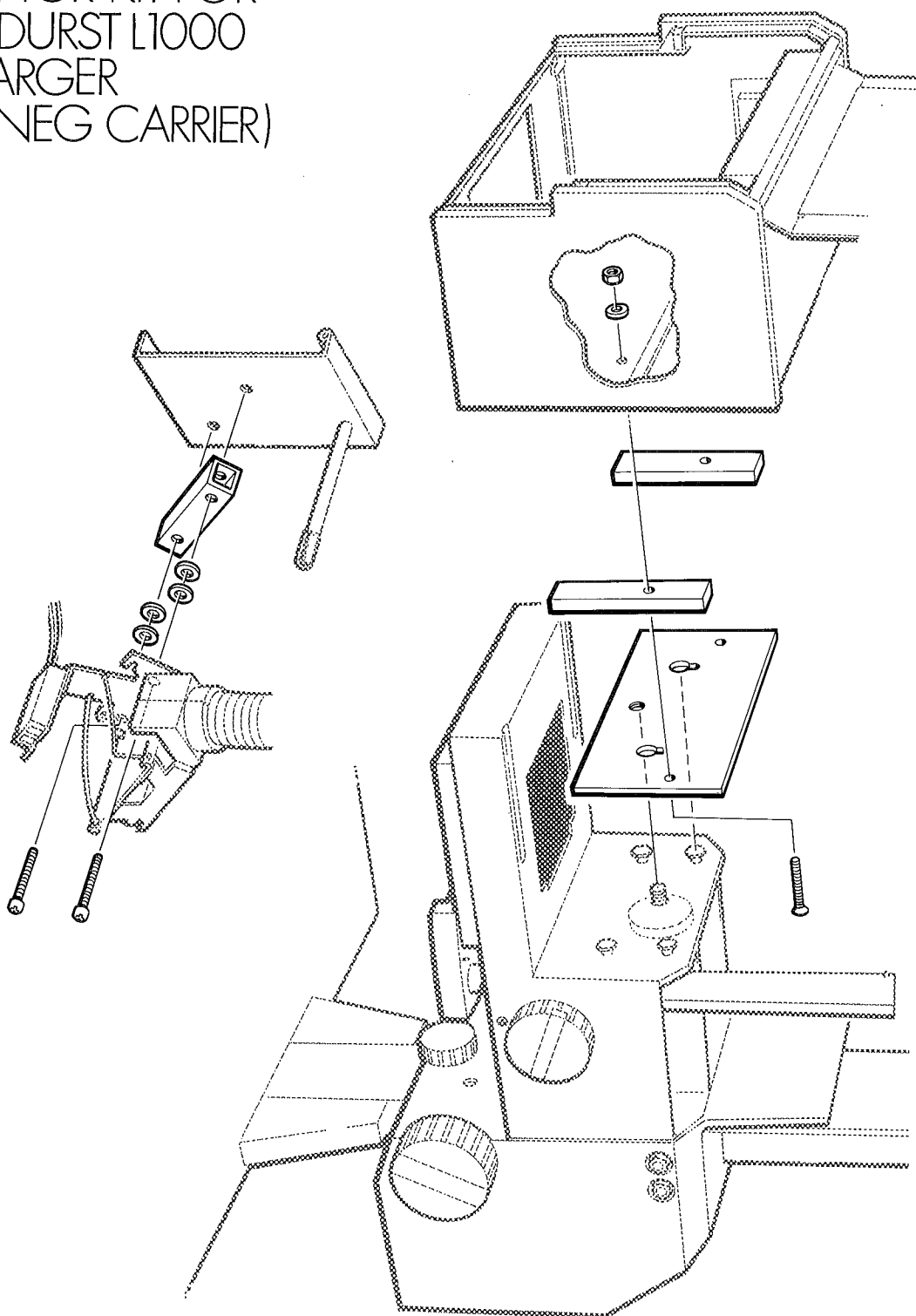


# ILFOSPEED MULTIGRADE 500

ADAPTOR KIT FOR  
THE DURST L1000  
ENLARGER  
(TAUNEG CARRIER)



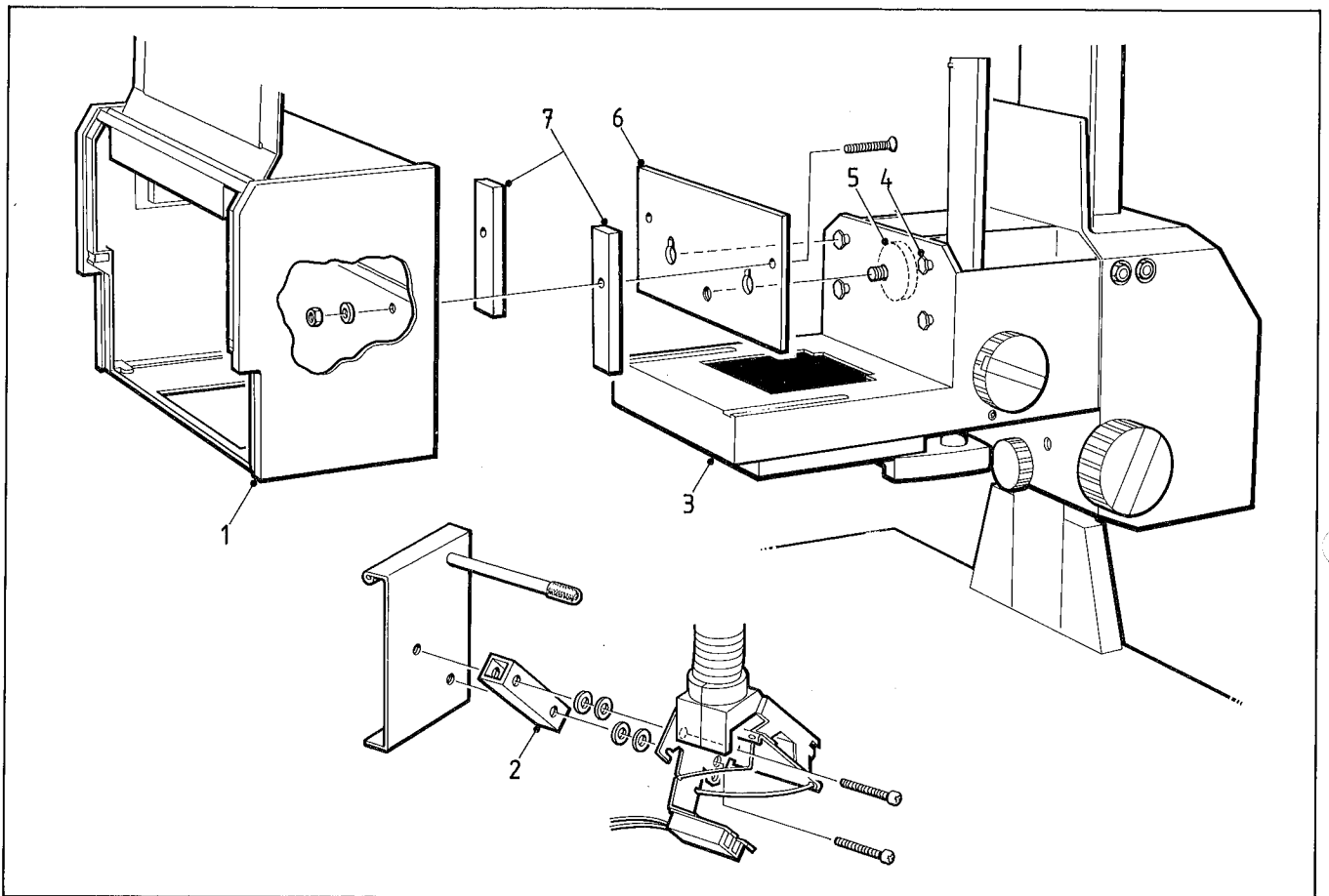


Figure 1.1

# I PRE-INSTALLATION

- 1 ILFOSPEED  
MULTIGRADE 500H  
enlarger head
- 2 Packing block
- 3 Durst L1000  
chassis
- 4 Upper locating  
pins
- 5 Knurled plastic  
knob
- 6 Adaptor plate
- 7 Spacers

## 1.1 Introduction

The adaptor kit (see figure 1.1) enables the ILFOSPEED MULTIGRADE 500H enlarger head to be fitted to the Durst L1000 enlarger (Tauneg carrier). Installation is straightforward provided the instructions in this manual are carefully followed. If you have any problems, please contact your nearest ILFORD selling company, the address of which can be found on the back cover of this manual.

Information regarding the fitting and changing of light mixing boxes is detailed in the ILFOSPEED MULTIGRADE 500 Operating manual, which must be read thoroughly before the equipment is used.

### WARNING

To prevent irreparable damage to the equipment, do not use force when carrying out any of the following instructions. Because the lamp slides are free to move, handle the ILFORD ILFOSPEED MULTIGRADE 500H enlarger head with extreme care. Remove the lamps if you feel it is necessary.

## 1.2 Unpacking

The adaptor kit for the Durst L1000 enlarger consists of the sub-assemblies detailed in table 1.1. Each sub-assembly is packed in a plastic bag, with the part number written on the bag. Please ensure you have all the correct items before proceeding with any of the fitting instructions (see also figure 1.1).

**Table 1.1 Adaptor kit**

Part no.	Description
6069-2-108	Register plate, 35mm
6069-2-109	Register plate, 6x7cm
6091-3-002	Light mixing box, 35mm
6092-3-002	Light mixing box, 6x7cm
6093-3-001	Light mixing box, 4x5 inches
6069-P-002	Packing block sub kit
6101-P-002	Sub kit

The packing block sub kit, part number 6069-P-002, consists of the items detailed in table 1.2.

**Table 1.2 Packing block sub kit  
6069-P-002**

Description	Quantity
Packing block	2
Screw, M3x25mm, pan head	4
Washer, M3, plain	8

The sub kit, part number 6101-P-002, consists of the items detailed in table 1.3.

**Table 1.3 Sub kit 6101-P-002**

Description	Quantity
Spacer	2
Adaptor plate	1
Screw, M4x25mm, countersunk head	2
Nut, M4	2
Washer, M4, plain	2

### **1.3 Removing the Durst enlarger head**

Ensure the chassis is positioned at a convenient working height and securely locked.

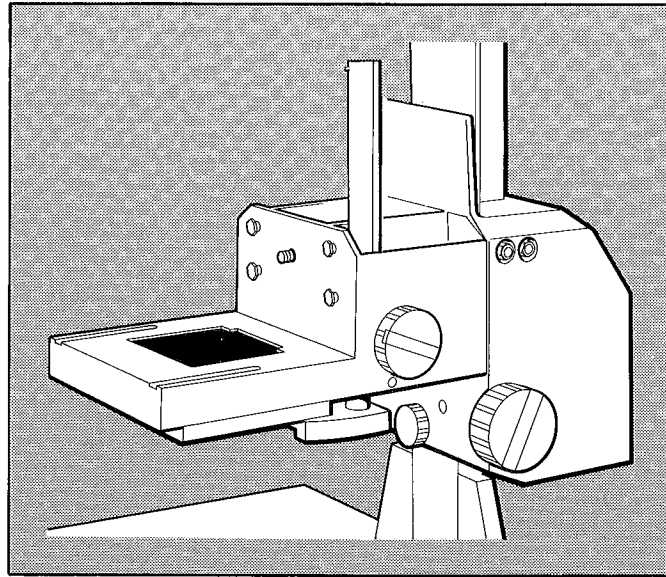
To remove the Durst enlarger head, proceed as follows (refer also to the manufacturer's literature):

- 1 Remove the negative carrier.
- 2 Release the large knurled, plastic knob, located at the back of the lamphouse.
- 3 Lift the lamphouse to disengage it from the locating pins.

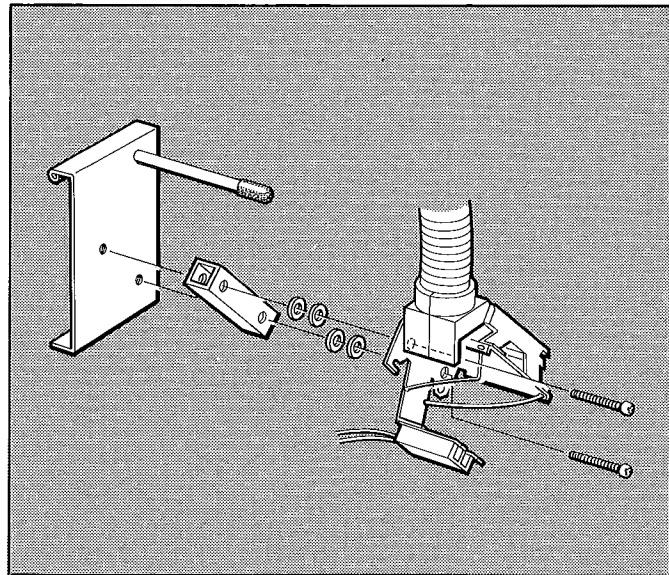
## 2

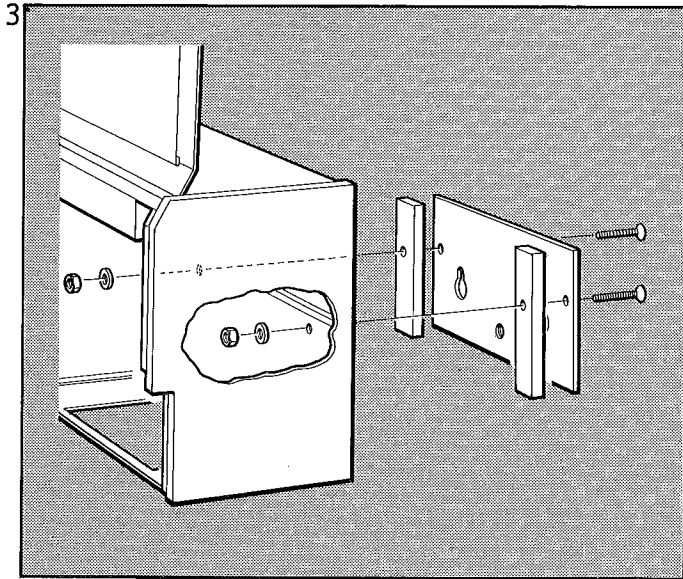
# FITTING THE ILFOSPEED MULTIGRADE 500H ENLARGER HEAD

With the Durst enlarger head removed, the enlarger is ready to accept the ILFOSPEED MULTIGRADE 500H enlarger head.

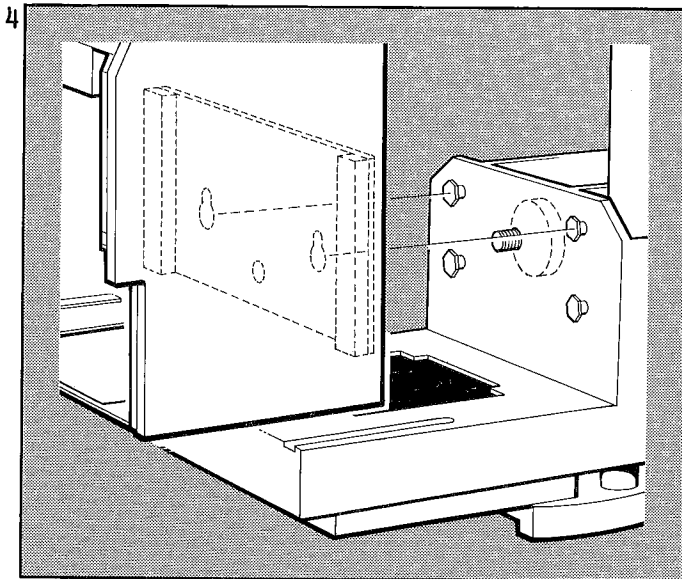


Remove the two lamps, and the two screws securing each lampholder to its slide. Re-assemble the left hand lampholder to the slide using the spacer block, and two of the four M3x25mm pan head screws and associated washers as shown. Repeat for the right hand lampholder. Ensure full movement of the lampholders. Refit the lamps.





Move both lamps towards each other to expose the two fixing holes in the rear panel. Push out the blanking plugs. Secure the adaptor plate, and the two spacer blocks to the back of the head with the two M4x25mm countersunk head screws and associated nuts and washers.



Fit the enlarger head onto the enlarger chassis. Ensure the two key-hole slots, cut in the adaptor plate, locate on the two upper locating pins. Secure the enlarger head with the large knurled, plastic knob.

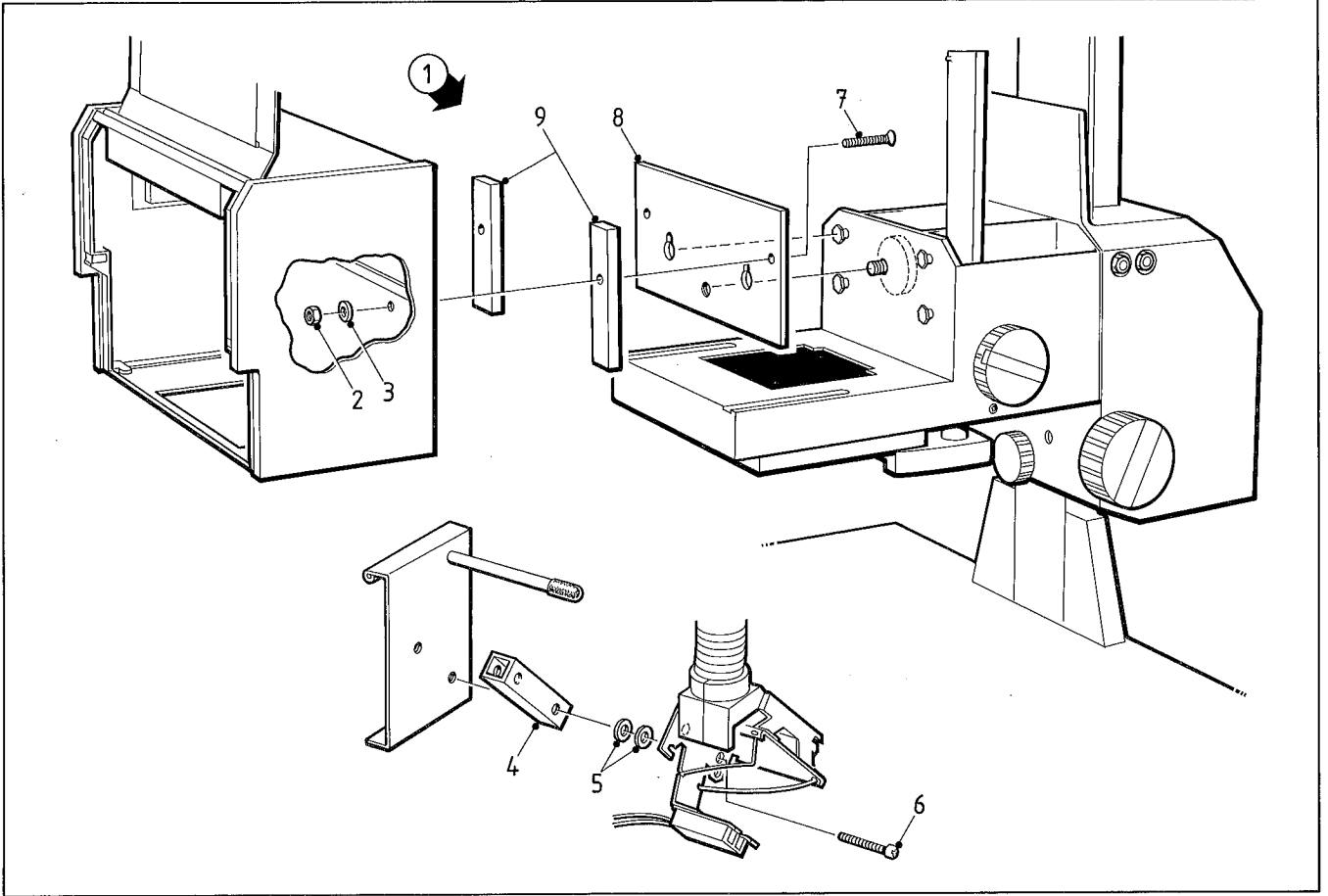


Figure 3.1

# 3

# PARTS LIST

Figure 3.1 and the following table detail all spare parts that are available. When ordering spare parts, please quote the part number in order that ILFORD Limited may process your order quickly and efficiently.

Ref no. on figure 3.1	Part no.	Description	Quantity
<b>1</b>	<b>6101-P-001</b>	<b>Adaptor kit, complete</b>	
2	86203904	Nut, M4	2
3	89730454	Washer, M4, plain	2
4	6069-4-110	Packing block	2
5	89730453	Washer, M3, plain	8
6	87989749	Screw, M3x25mm, pan head	4
7	87990453	Screw, M4x25mm, countersunk head	2
8	6101-2-100	Adaptor plate	1
9	6101-3-101	Spacer	2
10+	6069-2-108	Register plate, 35mm	1
11+	6069-2-109	Register plate, 6x7cm	1
12+	6091-3-002	Light mixing box, 35mm, 14mm drop	1
13+	6092-3-002	Light mixing box, 6x7cm, 14mm drop	1
14+	6093-3-001	Light mixing box, 4x5 inches, 3mm drop	1

+ items not illustrated