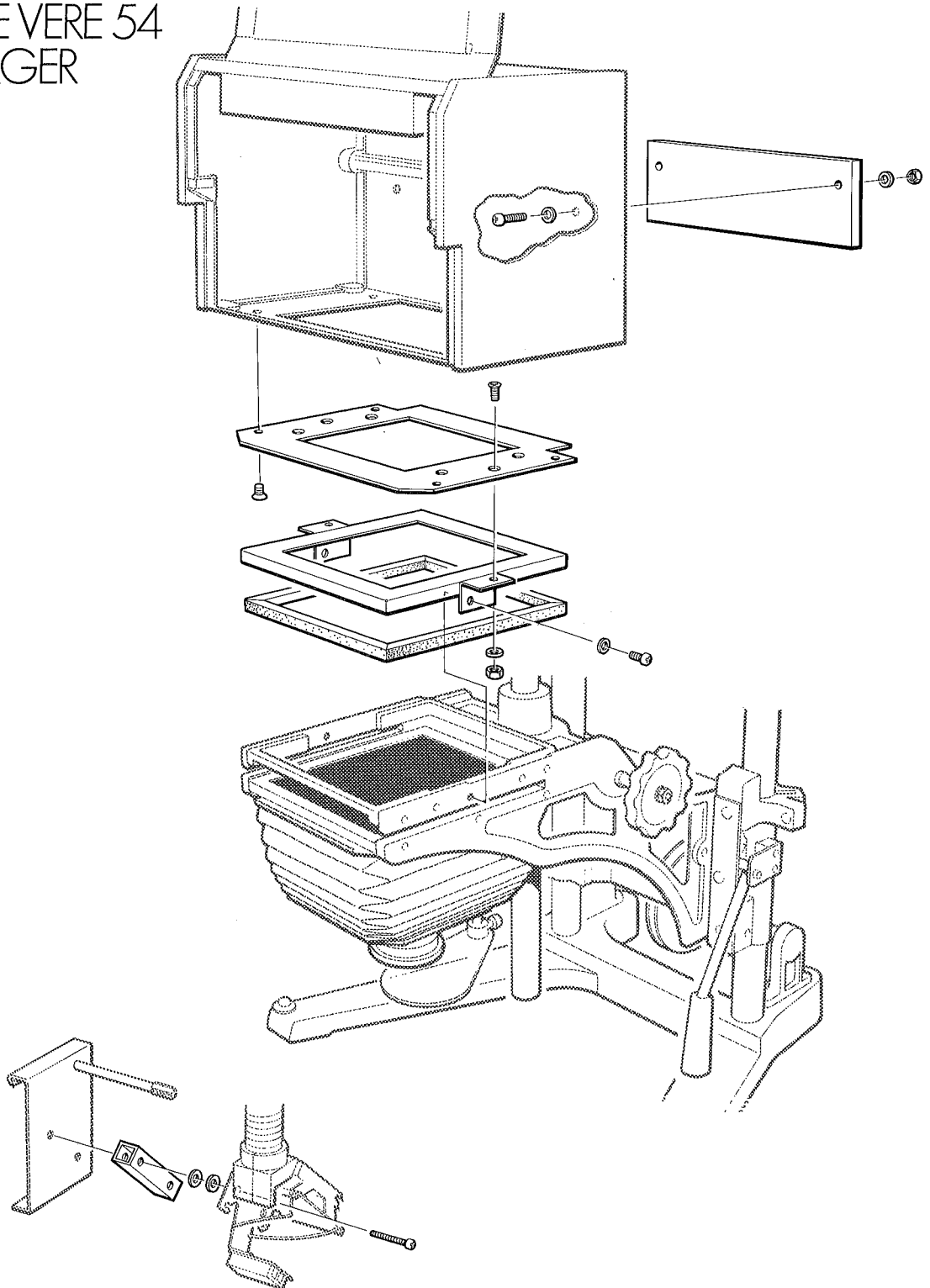


ILFOSPEED MULTIGRADE 500

ADAPTOR KIT FOR
THE DE VERE 54
ENLARGER



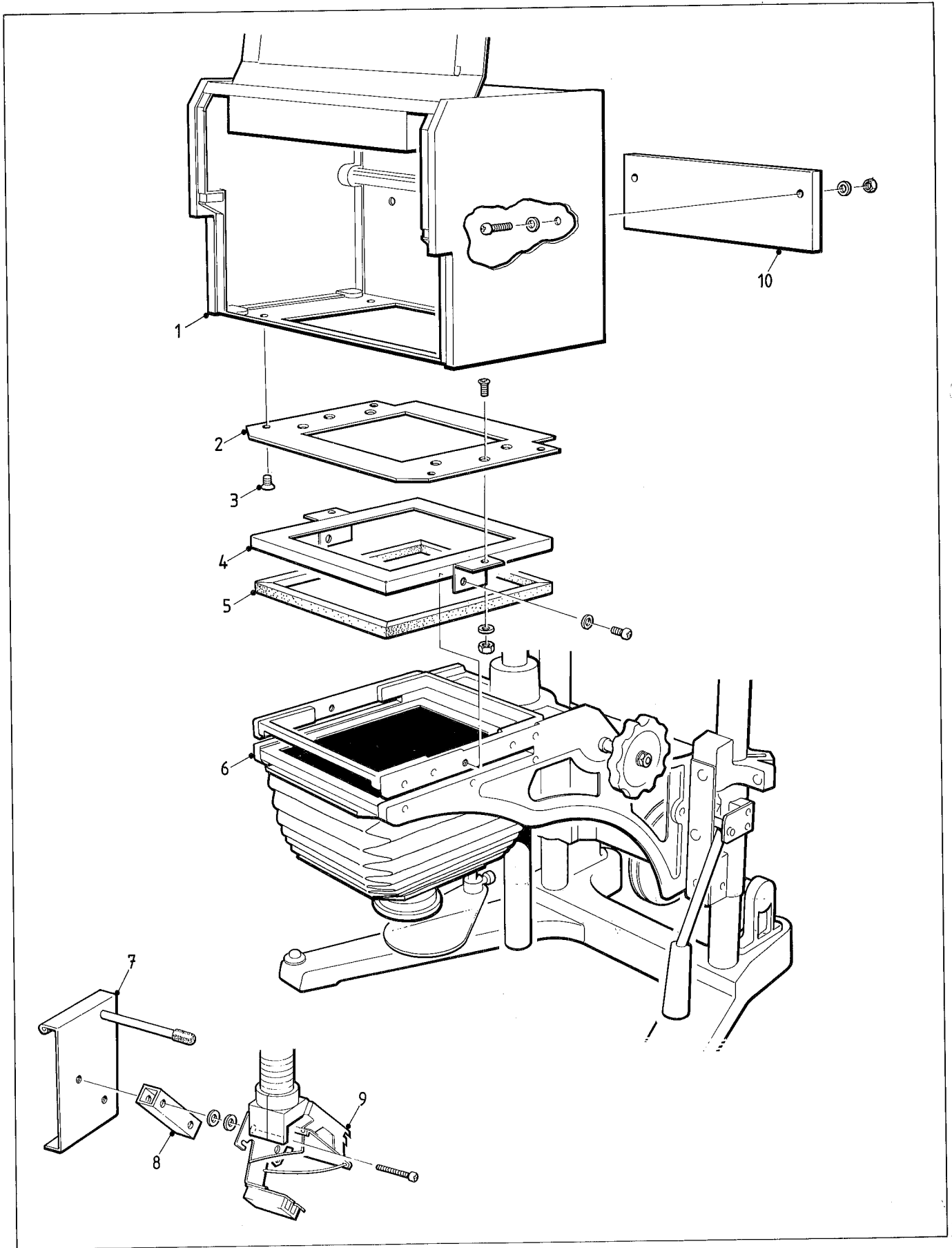


Figure 1.1

1 PRE-INSTALLATION

- 1 ILFOSPEED MULTIGRADE 500H enlarger head
- 2 Adaptor plate
- 3 Securing screw - adaptor plate
- 4 Spacing mask
- 5 Foam sealing tape
- 6 De Vere 54 chassis
- 7 Lampholder slide - left hand
- 8 Packing block
- 9 Lampholder - left hand
- 10 Counter balance weight

1.1 Introduction

The adaptor kit (see figure 1.1) enables the ILFOSPEED MULTIGRADE 500H enlarger head to be fitted to the De Vere 54 enlarger. Installation is straightforward provided the instructions in this manual are carefully followed. If you have any problems, please contact your nearest ILFORD selling company, the address of which can be found on the back cover of this manual.

Information regarding the fitting and changing of light mixing boxes is detailed in the ILFOSPEED MULTIGRADE 500 Operating manual, which must be read thoroughly before the equipment is used.

WARNING

To prevent irreparable damage to the equipment, do not use force when carrying out any of the following instructions. Because the lamp slides are free to move, handle the ILFORD ILFOSPEED MULTIGRADE 500H enlarger head with extreme care. Remove the lamps if you feel it is necessary.

1.2 Unpacking

The adaptor kit for the De Vere 54 enlarger consists of the sub-assemblies detailed in table 1.1. Each sub-assembly is packed in a plastic bag, with the part number written on the bag. Please ensure you have all the correct items before proceeding with any of the fitting instructions (see also figure 1.1).

Table 1.1 Adaptor kit

Part no.	Description
6069-2-108	Register plate, 35mm
6069-2-109	Register plate, 6x7cm
6091-3-003	Light mixing box, 35mm
6092-3-003	Light mixing box, 6x7cm
6093-3-002	Light mixing box, 4x5 inches
6069-P-002	Packing block sub kit
6102-P-002	Sub kit
6094-P-004	Sub kit

The packing block sub kit, part number 6069-P-002, consists of the items detailed in table 1.2.

**Table 1.2 Packing block sub kit
6069-P-002**

Description	Quantity
Packing block	2
Screw, M3x25mm, pan head	4
Washer, M3, plain	8

The sub kit, part number 6102-P-002, consists of the items detailed in table 1.3.

Table 1.3 Sub kit 6102-P-002

Description	Quantity
Spacing mask	1
Counter balance weight	1
Screw, M4x20mm, pan head	2
Screw, M4x8mm, countersunk head	2
Washer, M4, plain	6
Nut, M4	4
Washer, 10UNC, plain	2
Screw, 2BA x $\frac{3}{8}$ inch, pan head	2
Foam sealing tape	780mm

The sub kit, part number 6094-P-004, consists of the item detailed in table 1.4.

Table 1.4 Sub kit 6094-P-004

Description	Quantity
Adaptor plate	1

1.3 Removing the De Vere enlarger head

The De Vere 54 enlarger head is counter balanced to be moved up and down the column with the minimum of effort. Before proceeding, ensure the chassis is positioned at a convenient working height and securely locked onto the column.

WARNING

Never lean over counter balanced enlargers; failure of the locking mechanism could cause injury.

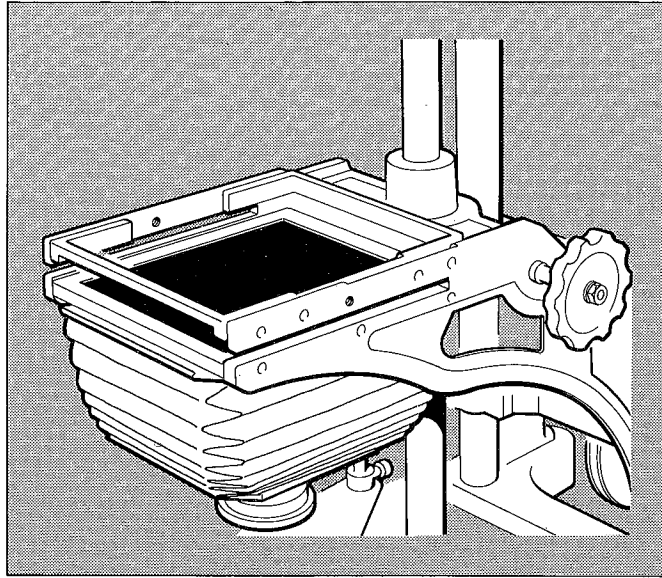
To remove the De Vere enlarger head, proceed as follows (refer also to the manufacturer's literature):

- 1 Remove the negative carrier.
- 2 Release the screws from the lower sides of the lamphouse (one on each side). Lift the lamphouse off the chassis.

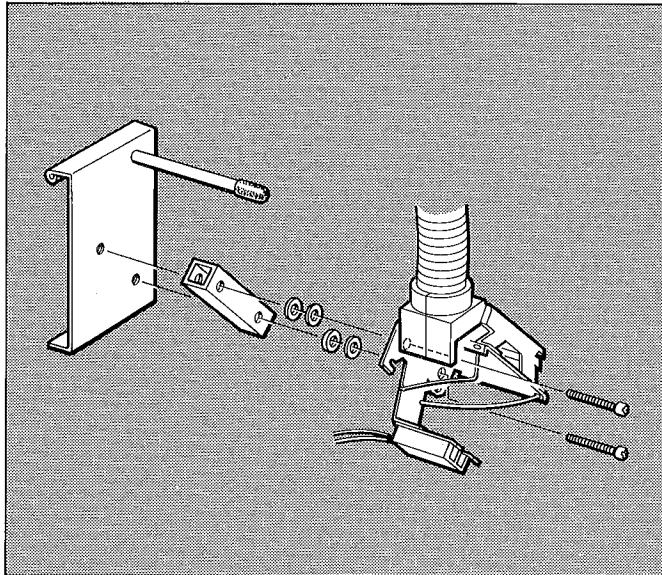
2

FITTING THE ILFOSPEED MULTIGRADE 500H ENLARGER HEAD

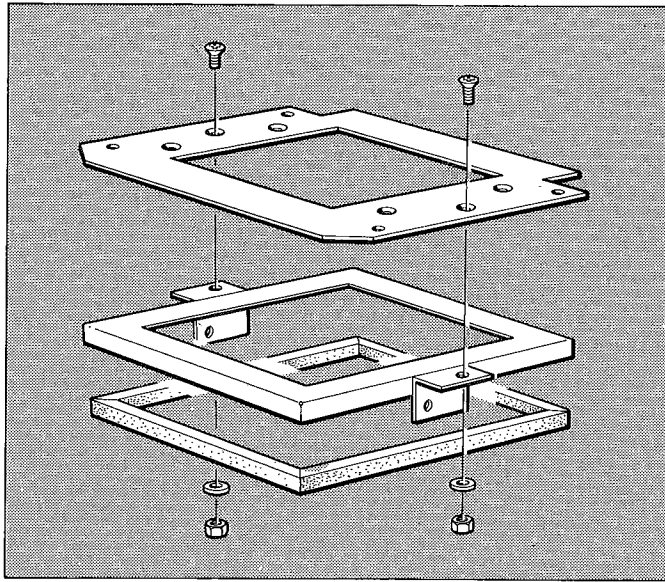
With the De Vere enlarger head removed, the enlarger is ready to accept the ILFOSPEED MULTIGRADE 500H enlarger head.



Remove the two lamps and the two screws securing each lampholder to its slide. Re-assemble the left hand lampholder to the slide using the spacer block, and two of the M3x25mm pan head screws and associated washers, as shown. Repeat for the right hand lampholder. Ensure full movement of the lampholders. Refit the lamps.

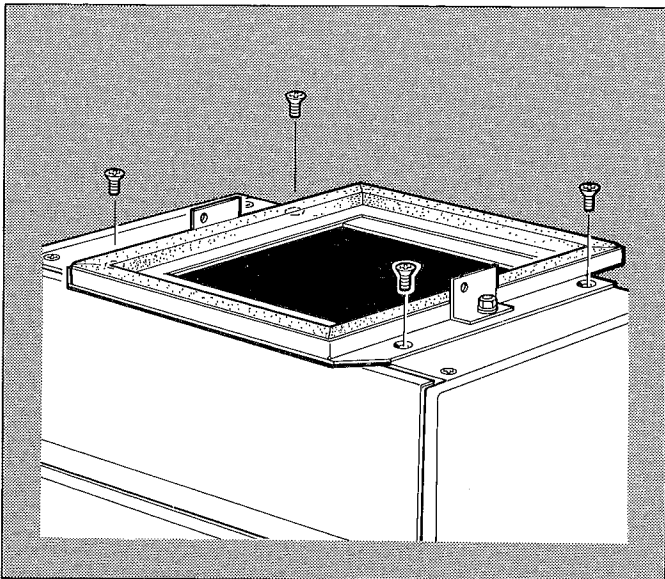


3



Stick four pieces of sealing tape to the spacing mask, as shown. Use a sharp knife to cut the pieces from the length supplied. Secure the spacing mask to the adaptor plate with the two M4x8mm countersunk head screws and associated nuts and washers.

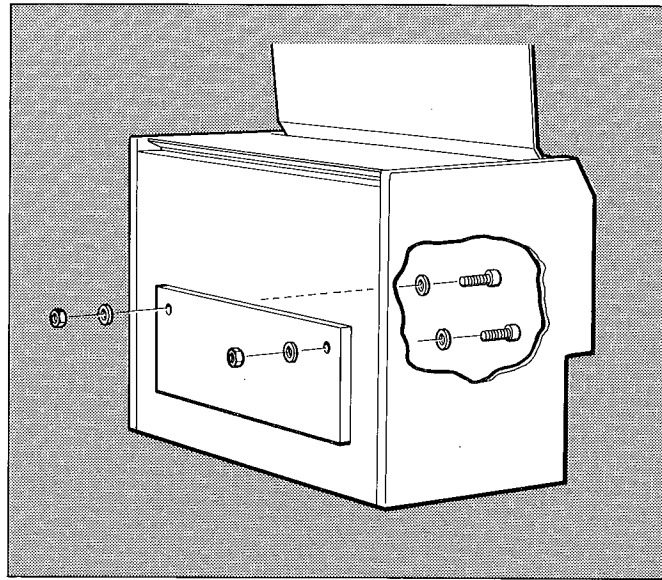
4



Position the ILFOSPEED MULTIGRADE 500H enlarger head upside down on a bench. Remove the four countersunk head screws and associated cup washers from the base. Discard the cup washers.

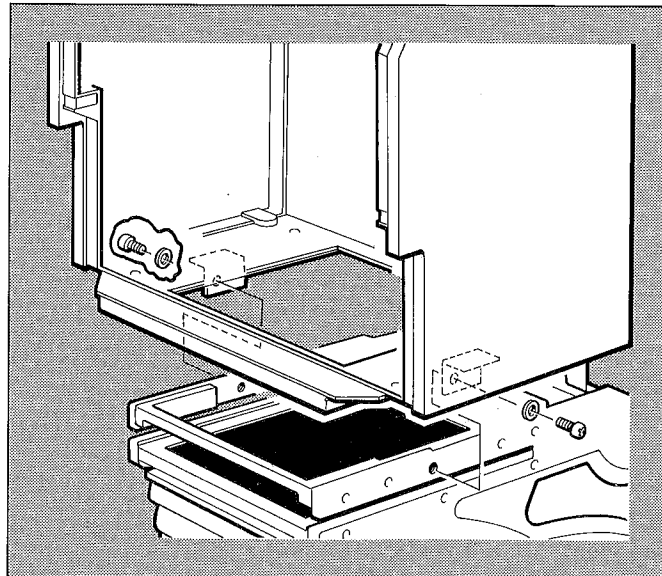
Secure the adaptor plate assembly to the base of the enlarger head using the four countersunk head screws removed above.

With the enlarger head the correct way up, raise the front cover and move both lamps towards each other to expose the two fixing holes in the rear panel. Push out the blanking plugs. Secure the counter balance weight to the back of the head with the two M4x20mm pan head screws and associated nuts and washers, as shown.



5

Secure the enlarger head assembly to the chassis, as shown, with the two 2BA x 3/8 inch pan head screws and associated washers.



6

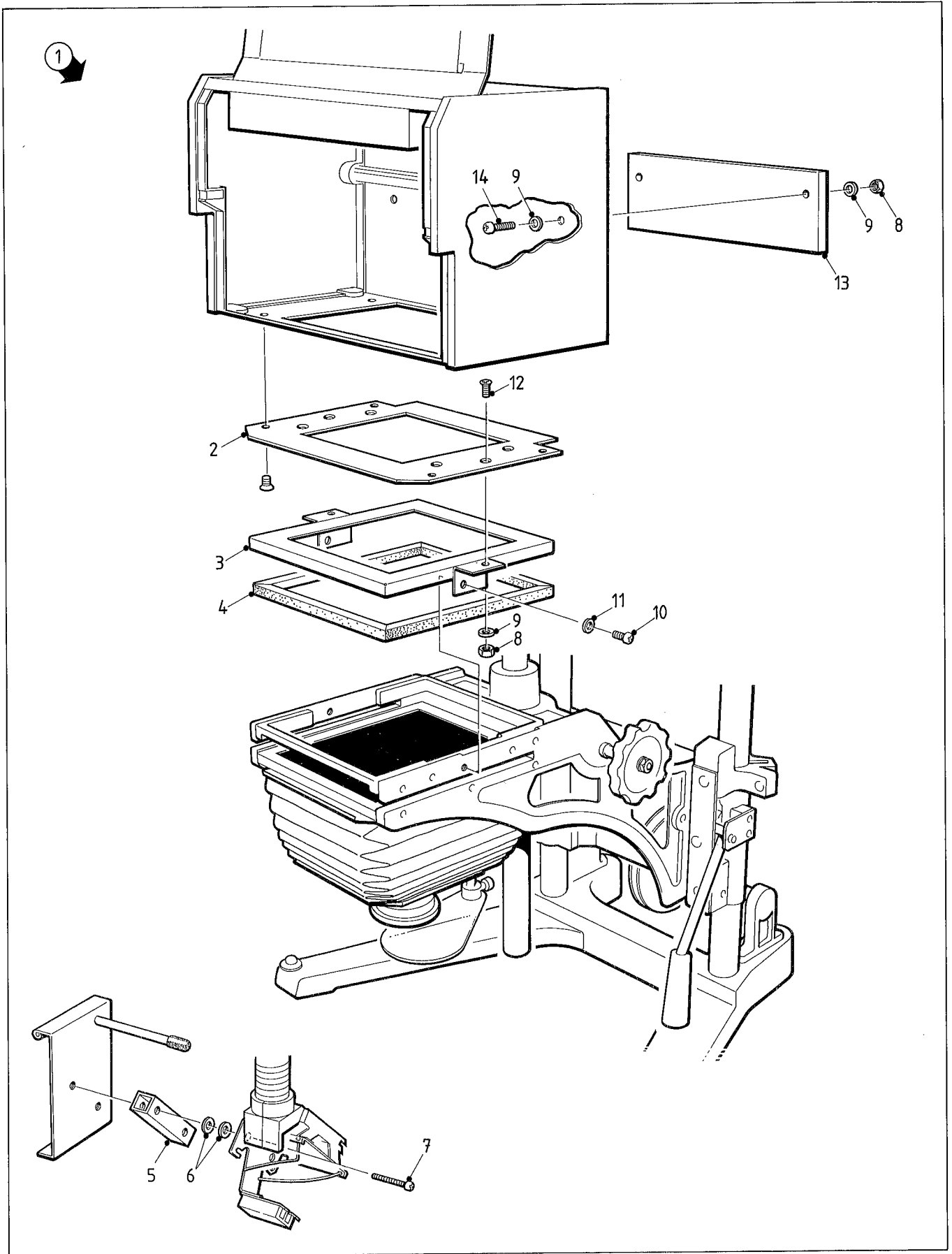


Figure 3.1

3

**PARTS
LIST**

Figure 3.1 and the following table detail all spare parts that are available. When ordering spare parts, please quote the part number in order that ILFORD Limited may process your order quickly and efficiently.

Ref no. on figure 3.1	Part no.	Description	Quantity
1	6102-P-001	Adaptor kit, complete	
2	6094-1-107	Adaptor plate	1
3	6102-2-101	Spacing mask	1
4	89014017	Foam sealing tape, 9x9mm	780mm
5	6069-4-110	Packing block	2
6	89730453	Washer, M3, plain	8
7	87989749	Screw, M3x25mm, pan head	4
8	86203904	Nut, M4	4
9	89730454	Washer, M4, plain	6
10	87992589	Screw, 2BA x $\frac{3}{8}$ inch, pan head	2
11	89730407	Washer, 10UNC, plain	2
12	87990448	Screw, M4x8mm, countersunk head	2
13	6102-3-102	Counter balance weight	1
14	87989775	Screw, M4x20mm, pan head	2
15+	6069-2-108	Register plate, 35mm	1
16+	6069-2-109	Register plate, 6x7cm	1
17+	6091-3-003	Light mixing box, 35mm, 25mm drop	1
18+	6092-3-003	Light mixing box, 6x7cm, 25mm drop	1
19+	6093-3-002	Light mixing box, 4x5 inches, 25mm drop	1

+ items not illustrated