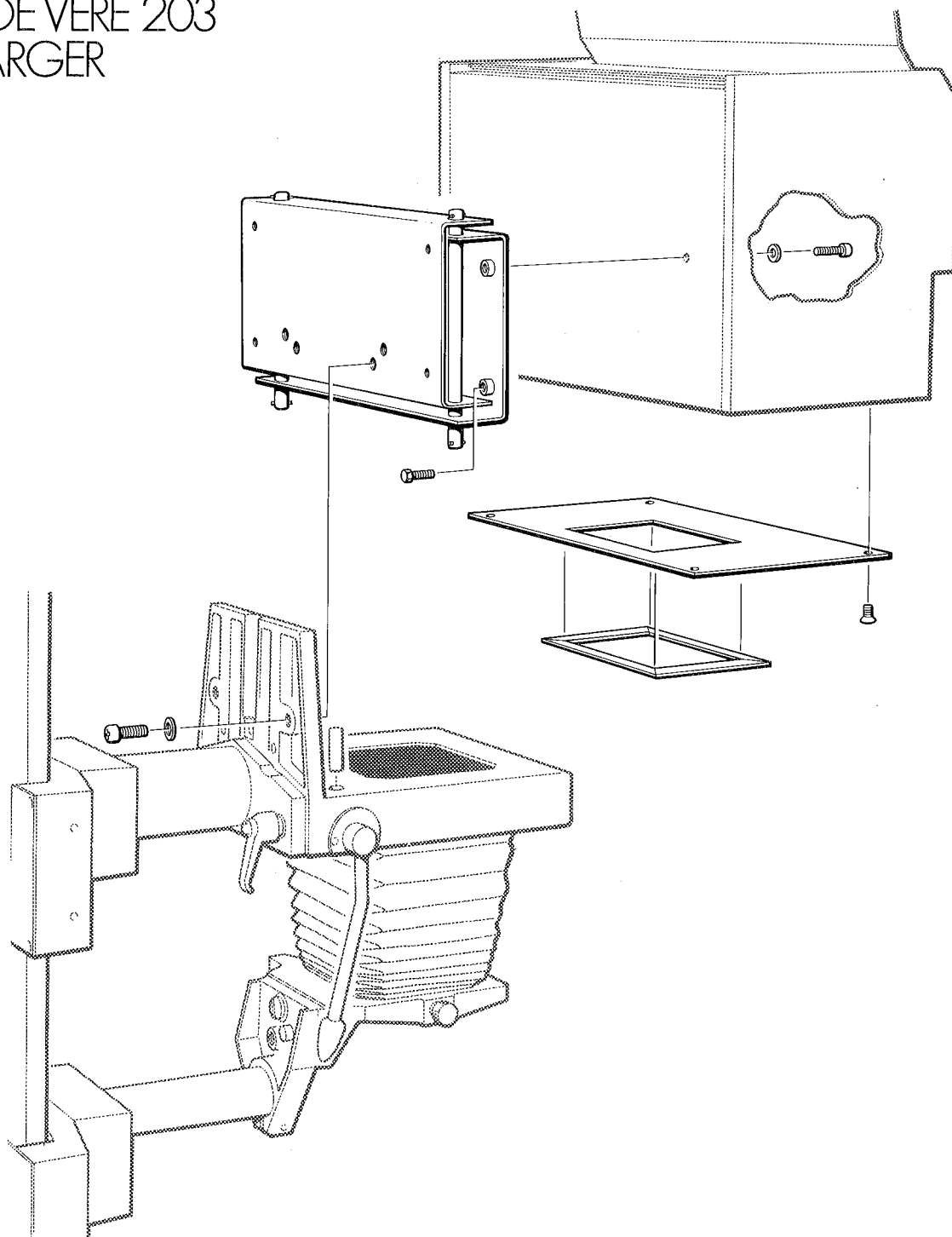


ILFOSPEED MULTIGRADE 500

ADAPTOR KIT FOR
THE DEVERE 203
ENLARGER



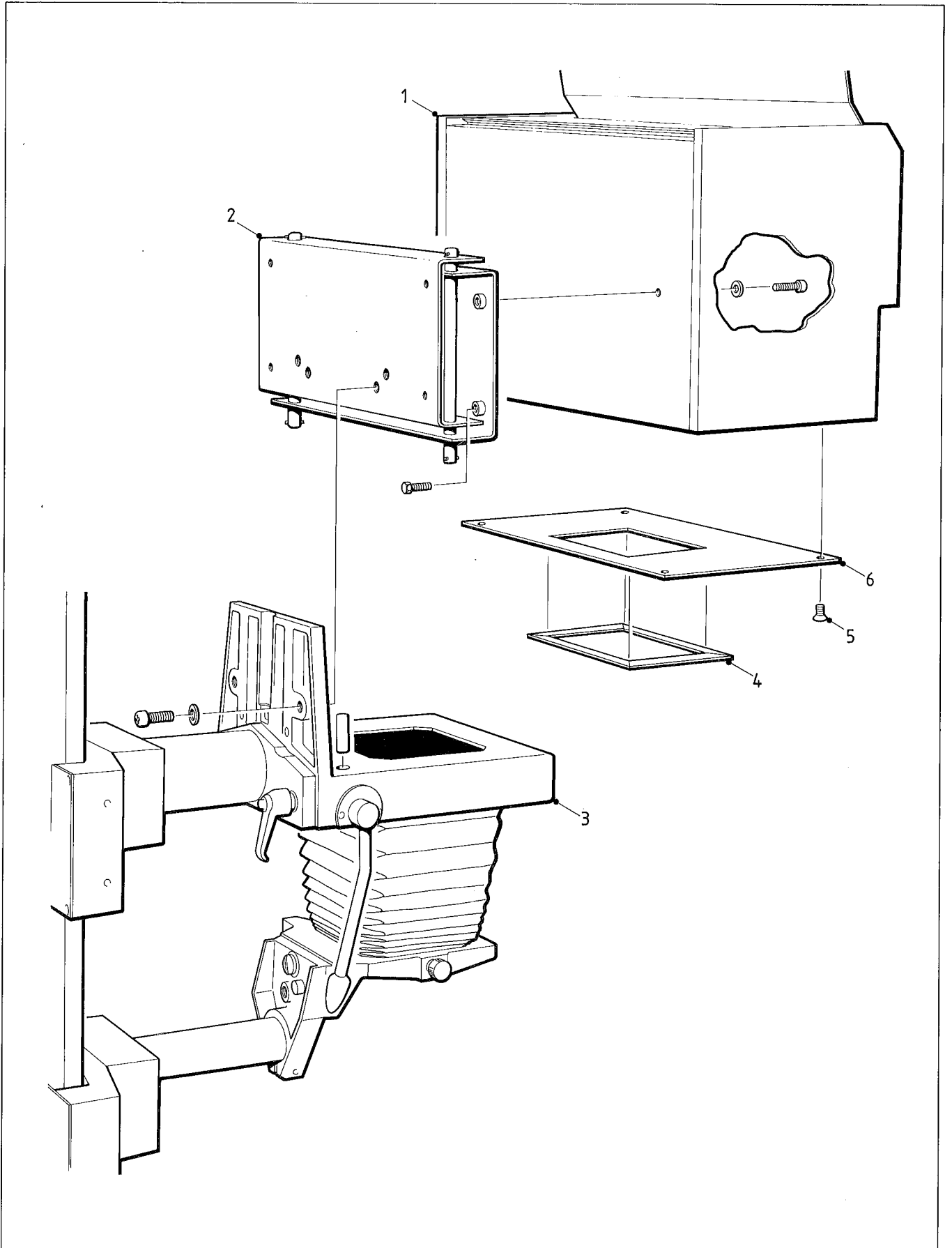


Figure 1.1

1 PRE-INSTALLATION

- 1 ILFOSPEED MULTIGRADE 500H enlarger head
- 2 Adaptor channel assembly
- 3 De Vere 203 chassis
- 4 Foam sealing tape
- 5 Securing screw - bottom closing plate
- 6 Bottom closing plate

1.1 Introduction

The adaptor kit (see figure 1.1) enables the ILFOSPEED MULTIGRADE 500H enlarger head to be fitted to the De Vere 203 enlarger. Installation is straightforward provided the instructions in this manual are carefully followed. If you have any problems, please contact your nearest ILFORD selling company, the address of which can be found on the back cover of this manual.

Information regarding the fitting and changing of light mixing boxes is detailed in the ILFOSPEED MULTIGRADE 500 Operating manual, which must be read thoroughly before the equipment is used.

WARNING

To prevent irreparable damage to the equipment, do not use force when carrying out any of the following instructions. Because the lamp slides are free to move, handle the ILFORD ILFOSPEED MULTIGRADE 500H enlarger head with extreme care. Remove the lamps if you feel it is necessary.

1.2 Unpacking

The adaptor kit for the De Vere 203 enlarger consists of the sub-assemblies detailed in table 1.1. Each sub-assembly is packed in a plastic bag, with the part number written on the bag. Please ensure you have all the correct items before proceeding with any of the fitting instructions (see also figure 1.1).

Table 1.1 Adaptor kit

Part no.	Description
6069-2-106	Register plate, 35mm
6069-2-107	Register plate, 6x7cm
6091-3-001	Light mixing box, 35mm
6092-3-001	Light mixing box, 6x7cm
6069-2-111	Bottom closing plate
6100-P-003	Channel assembly sub kit
6100-P-002	Sub kit
6099-P-002	Sub kit

The channel assembly sub kit, part number 6100-P-003, is supplied as a complete assembly using the items detailed in table 1.2.

Table 1.2 Sub kit 6100-P-003

Description	Quantity
Adaptor channel	2
Slide rod	2
Pin, 2mm diameter x 10mm long	4

The sub kit, part number 6100-P-002, consists of the items detailed in table 1.3.

Table 1.3 Sub kit 6100-P-002

Note

The M4x20mm pan head screws are supplied but are not used on the De Vere 203 enlarger adaptor kit.

Description	Quantity
Screw, M4x10mm, pan head	2
Washer, M4, plain	4
Screw, M4x20mm, pan head	2
Screw, M6x25mm, pan head	2
Washer, M6, plain	2
Screw, M4x12mm, hexagonal head	2

The sub kit, part number, 6099-P-002, consists of the items detailed in table 1.4.

Table 1.4 Sub kit 6099-P-002

Description	Quantity
Dowel pin, $\frac{5}{16}$ inch diameter x $1\frac{3}{8}$ inch long	2
Foam rubber sealing tape	450mm

1.3 Removing the De Vere enlarger head

The De Vere 203 enlarger head is counter balanced to be moved up and down the column with the minimum of effort. Before proceeding, ensure the chassis is positioned at a convenient working height and securely locked onto the column.

WARNING

Never lean over counter balanced enlargers; failure of the locking mechanism could cause injury.

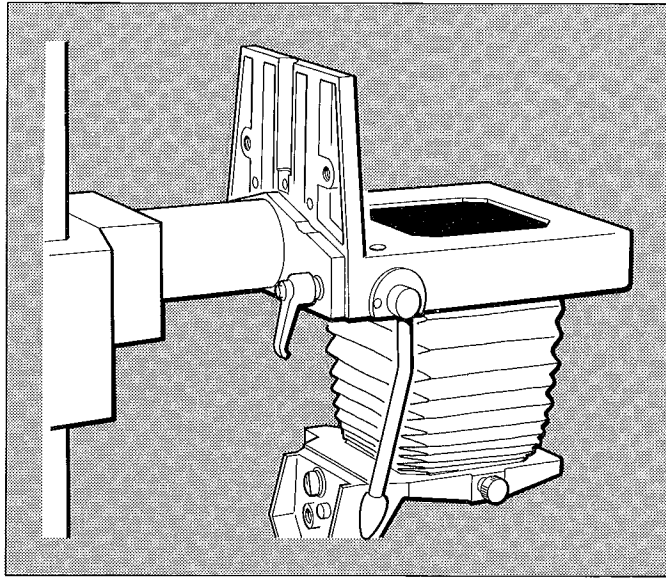
To remove the De Vere enlarger head, proceed as follows (refer also to the manufacturer's literature):

- 1 Move the enlarger head lifting lever to the vertical position.
- 2 Release the retaining spring, located at the rear of the head.
- 3 Lift the enlarger head off its locating spigots, by moving it first upwards and then forwards.
- 4 Unscrew the four nylon positioning screws until they no longer protrude through the enlarger head mounting plate (remove them if required).
- 5 Remove the two roller mounting studs from the mounting plate, by releasing the retaining nuts. If difficulty is found removing the studs, carefully tap them out using a soft-faced hammer.

2

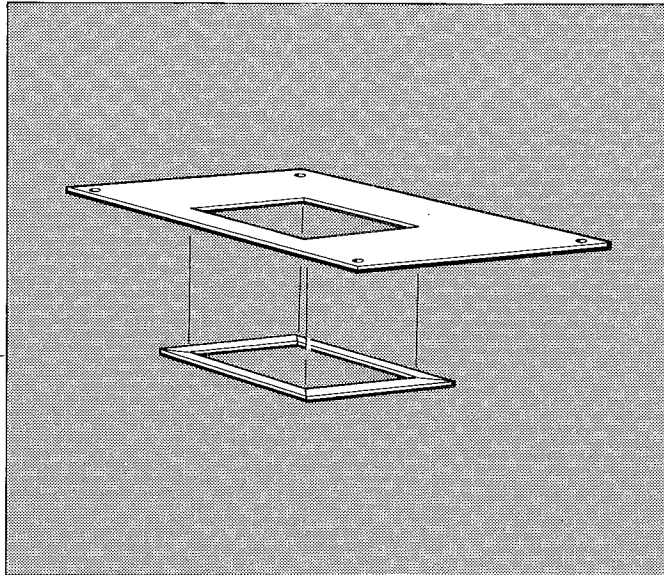
FITTING THE ILFOSPEED MULTIGRADE 500H ENLARGER HEAD

1



With the De Vere enlarger head removed, the enlarger is ready to accept the ILFOSPEED MULTIGRADE 500H enlarger head.

2

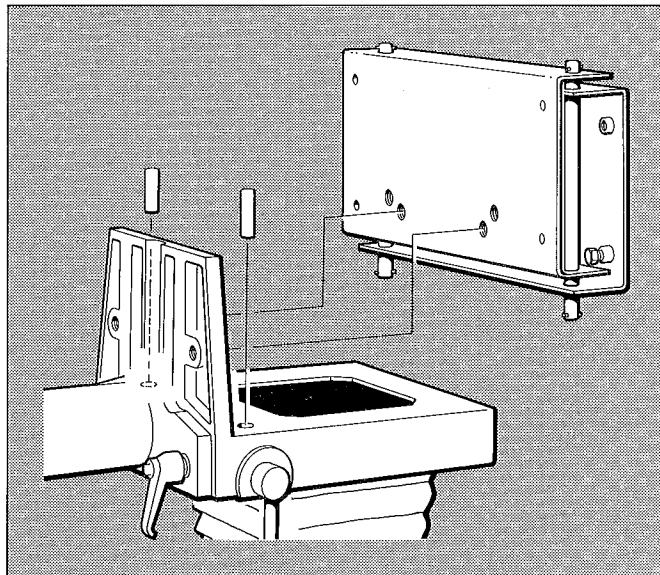
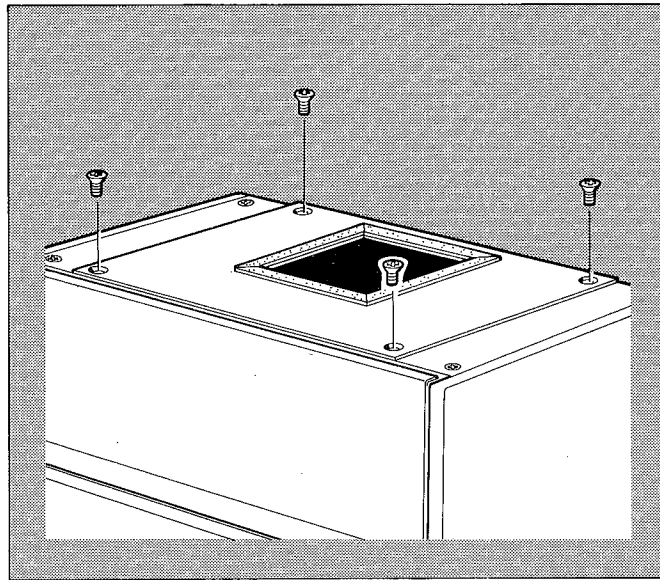


Stick four pieces of sealing tape around the aperture of the bottom closing plate, as shown. Use a sharp knife to cut the pieces from the length supplied.

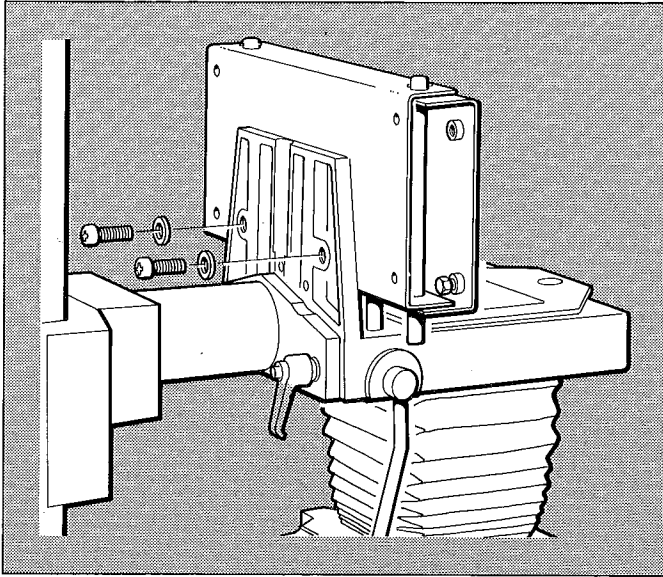
Position the ILFOSPEED MULTIGRADE 500H enlarger head upside down on a bench. Remove the four countersunk head screws and associated cup washers from the base. Discard the cup washers.

Secure the bottom closing plate to the enlarger head using the four countersunk head screws removed above.

Replace the De Vere lifting pins in the enlarger chassis with the two $\frac{5}{16} \times \frac{13}{8}$ inch dowel pins. Screw in the two M4x12mm hexagonal head screws, as shown, until they are flush with the front face of the adaptor channel assembly.



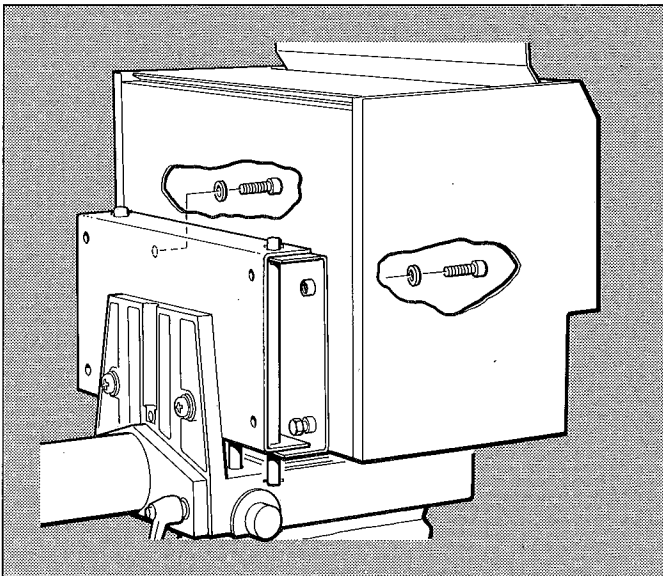
5



Secure the adaptor channel assembly to the enlarger chassis with the two M6x25mm pan head screws and associated washers.

Position the negative carrier on the chassis. Ensure the enlarger head lifting lever is in its lowered position.

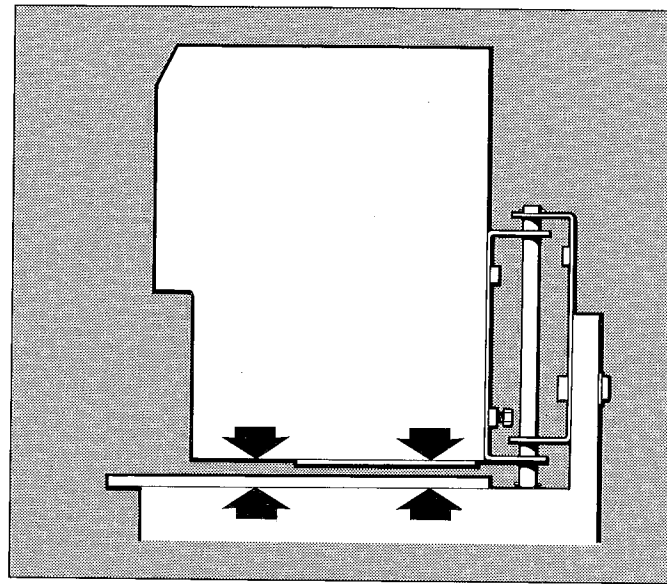
6



Stand the enlarger head on the negative carrier. Raise the front cover. Move both lamps towards each other to expose the two fixing holes in the rear panel. Push out the blanking plugs. Secure the enlarger head to the adaptor channel assembly with the two M4x10mm pan head screws and associated washers. Leave the screws about one turn loose.

1

Raise the enlarger head using the lifting lever. View the head from the side and adjust the two M4x12mm hexagonal head screws by equal amounts until the base of the head is parallel to the negative carrier. Moderately tighten the head securing screws (operation 6).



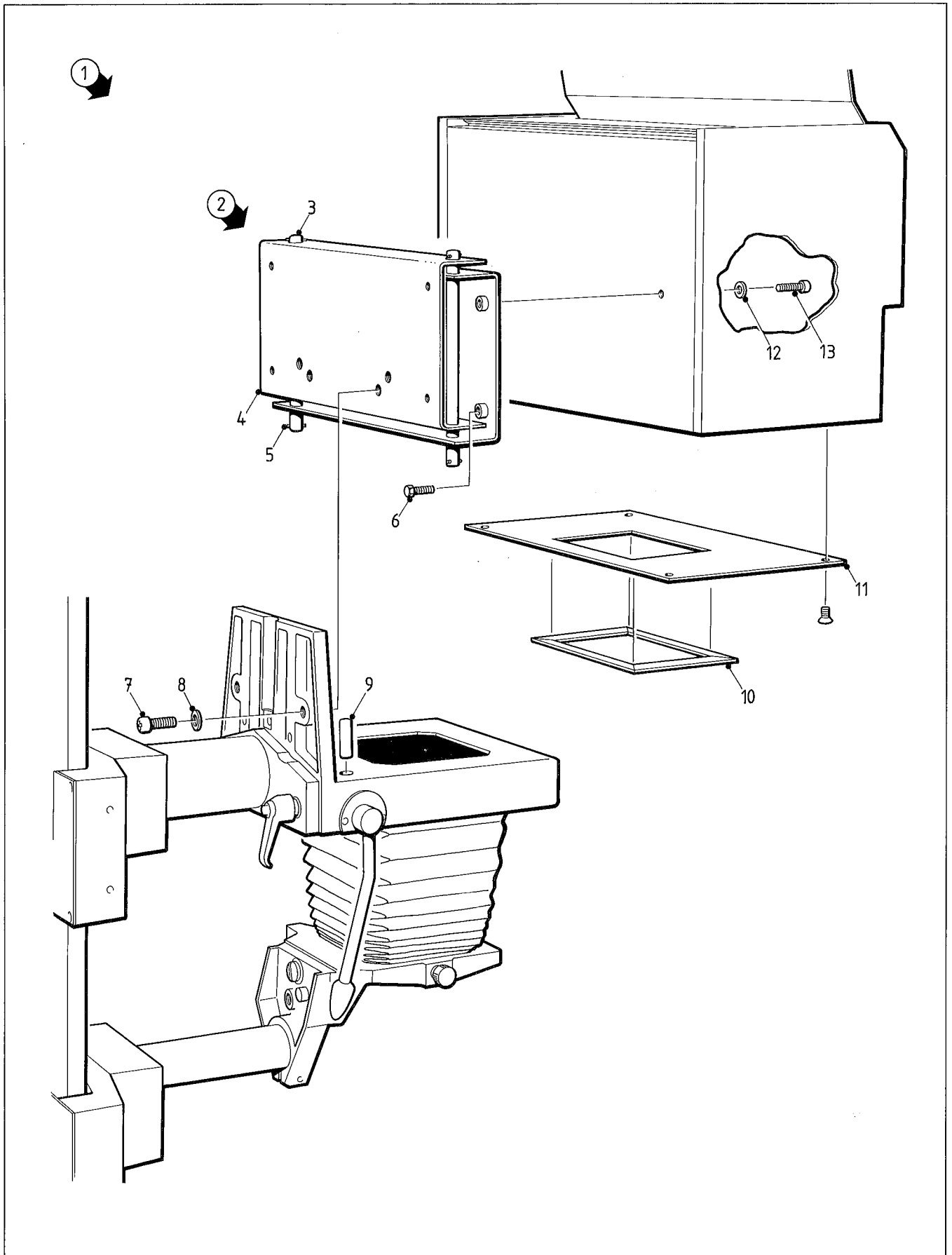


Figure 3.1

3

PARTS LIST

Figure 3.1 and the following table detail all spare parts that are available. When ordering spare parts, please quote the part number in order that ILFORD Limited may process your order quickly and efficiently.

Ref no. on figure 3.1	Part no.	Description	Quantity
1	6099-P-001	Adaptor kit, complete	
2	6100-P-003	Adaptor channel assembly	1
3	6099-4-101	Slide rod	2
4	6099-1-100	Adaptor channel	2
5	87997605	Pin, 2mm diameter x 10mm long	4
6	87989319	Screw, M4x12mm, hexagonal head	2
7	87989804	Screw, M6x25mm, pan head	2
8	89730456	Washer, M6, plain	2
9	82387009	Dowel pin, $\frac{5}{16}$ inch diameter x $1\frac{3}{8}$ inches long	2
10	89014016	Sealing tape, 2x9mm	450mm
11	6069-2-111	Bottom closing plate	1
12	89730454	Washer, M4, plain	4
13	87989772	Screw, M4x10mm, pan head	2
14+	6069-2-106	Register plate, 35mm	1
15+	6069-2-107	Register plate, 6x7cm	1
16+	6091-3-001	Light mixing box, 35mm, 4mm drop	1
17+	6092-3-001	Light mixing box, 6x7cm, 4mm drop	1
18+	87989775	Screw, M4x20mm, pan head	2

Note

+ items not illustrated. Item 18 is supplied but is not used on the De Vere 203 enlarger adaptor kit.