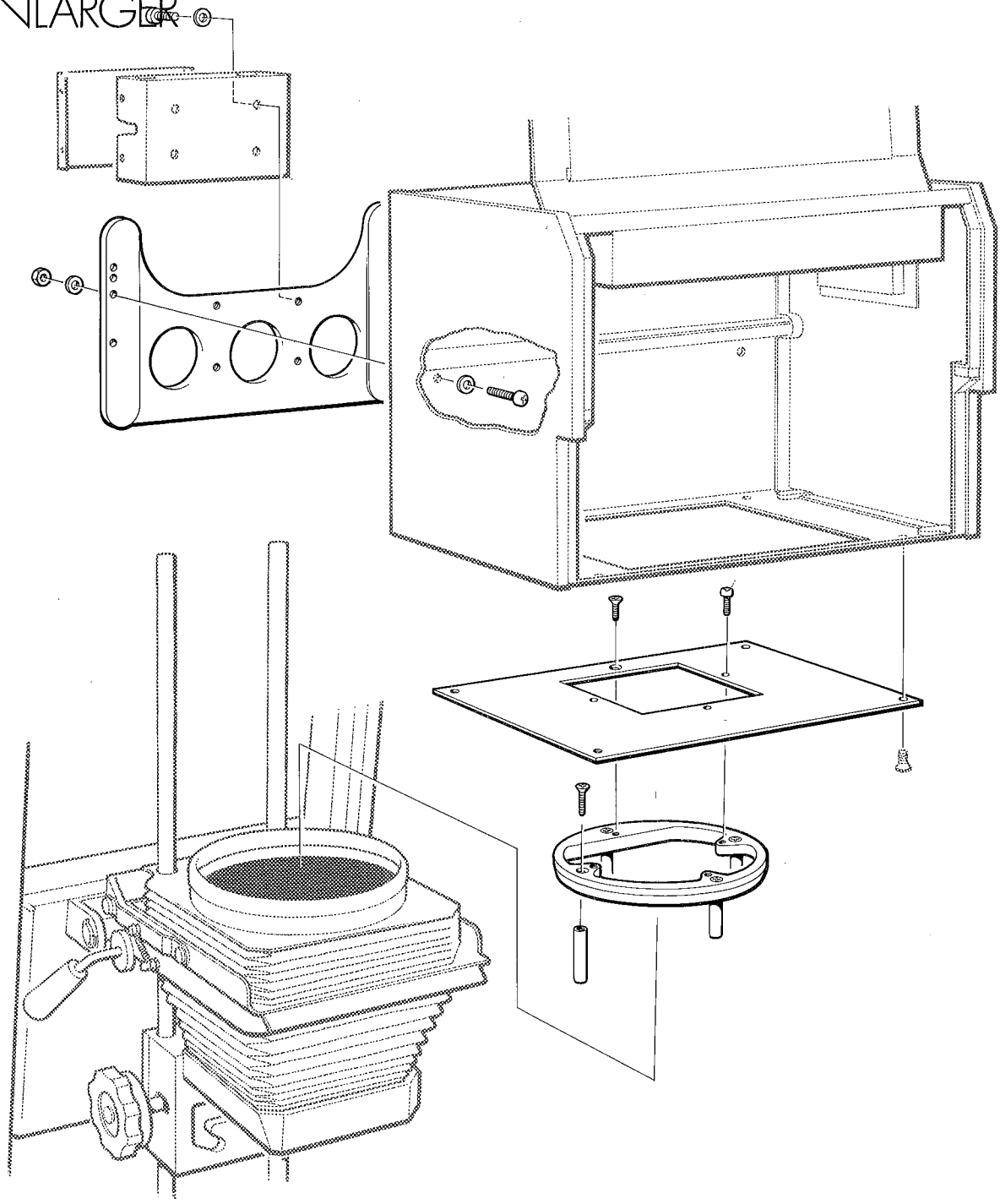


ILFOSPEED MULTIGRADE 500

ADAPTOR KIT FOR
THE BESELER 23C
ENLARGER



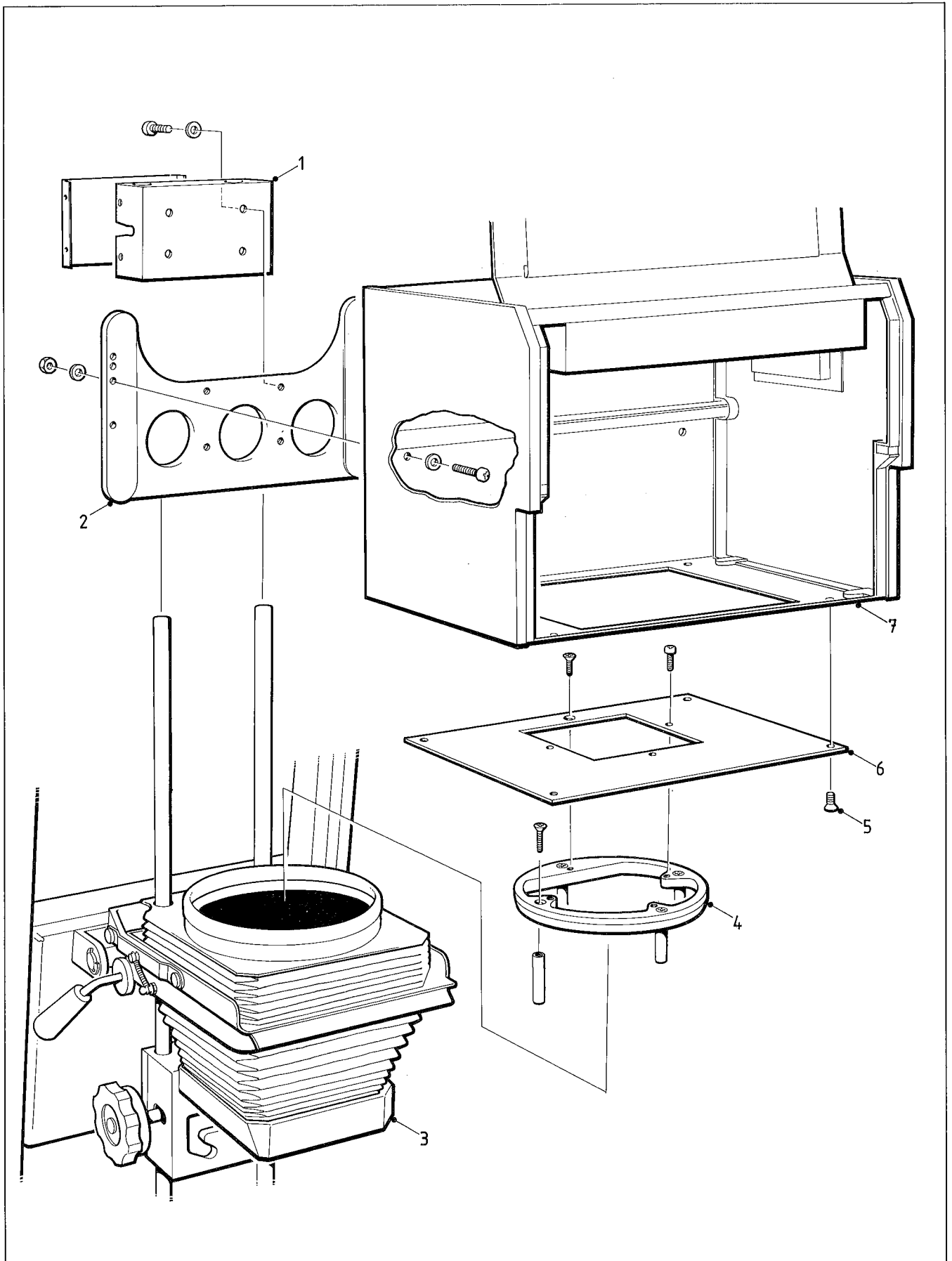


Figure 1.1

1 PRE-INSTALLATION

- 1 Support casting box
- 2 Back mounting bracket
- 3 Beseler 23C chassis
- 4 Spacer ring assembly
- 5 Securing screw - bottom closing plate
- 6 Bottom closing plate
- 7 ILFOSPEED MULTIGRADE 500H enlarger head

1.1 Introduction

The adaptor kit (see figure 1.1) enables the ILFOSPEED MULTIGRADE 500H enlarger head to be fitted to the Beseler 23C enlarger. Installation is straightforward provided the instructions in this manual are carefully followed. If you have any problems, please contact your nearest ILFORD selling company, the address of which can be found on the back cover of this manual.

Information regarding the fitting and changing of light mixing boxes is detailed in the ILFOSPEED MULTIGRADE 500 Operating manual, which must be read thoroughly before the equipment is used.

WARNING

To prevent irreparable damage to the equipment, do not use force when carrying out any of the following instructions. Because the lamp slides are free to move, handle the ILFORD ILFOSPEED MULTIGRADE 500H enlarger head with extreme care. Remove the lamps if you feel it is necessary.

1.2 Unpacking

The adaptor kit for the Beseler 23C enlarger consists of the sub-assemblies detailed in table 1.1. Each sub-assembly is packed in a plastic bag, with the part number written on the bag. Please ensure you have all the correct items before proceeding with any of the fitting instructions (see also figure 1.1).

Table 1.1 Adaptor kit

Part no.	Description
6069-2-106	Register plate, 35mm
6069-2-107	Register plate, 6x7cm
6091-3-005	Light mixing box, 35mm
6092-3-005	Light mixing box, 6x7cm
6069-2-111	Bottom closing plate
6109-2-100	Back mounting bracket
6110-P-002	Sub kit
6110-P-003	Sub kit

The sub kit, part number 6110-P-002, consists of the items detailed in table 1.2.

Table 1.2 Sub kit 6110-P-002

Description	Quantity
Spacer leg	4
Screw, M4x8mm, pan head	4
Screw, M4x20mm, pan head	2
Washer, M4, plain	8
Nut, M4	2

The sub kit, part number 6110-P-003, consists of the items detailed in table 1.3.

Table 1.3 Sub kit 6110-P-003

Description	Quantity
Spacer ring	1
Screw, M3x8mm, pan head	3
Screw, M3x8mm, countersunk head	1
Screw, M3x16mm, countersunk head	4

1.3 Removing the Beseler enlarger head

The Beseler 23C enlarger head is counter balanced to be moved up and down the column with the minimum of effort. Before proceeding, ensure the chassis is positioned at a convenient working height and securely locked onto the column.

WARNING

Never lean over counter balanced enlargers; failure of the locking mechanism could cause injury.

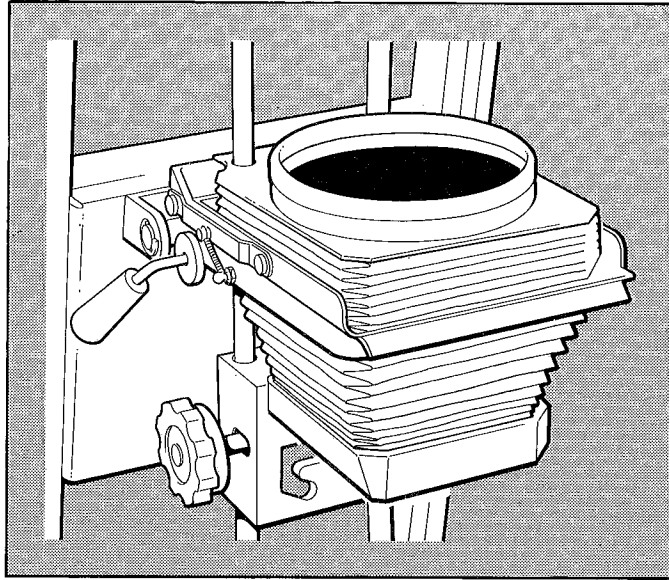
To remove the Beseler enlarger head, proceed as follows (refer also to the manufacturer's literature):

- 1 Wind the enlarger head upwards until the bellows unit is fully extended.
- 2 Push the bellows unit off the condenser.
- 3 Carefully slide the condenser lens assembly out of the head.
- 4 Support the head and wind it upwards off the slide rods.
- 5 Carefully position the head on its front face. Remove the back cover from the support casting box.
- 6 Lift out the adjusting knob and shaft assembly.
- 7 Release the retaining screws and remove the two spring tension strips from inside the support casting box.
- 8 Release the four retaining screws and remove the support casting box from the head.

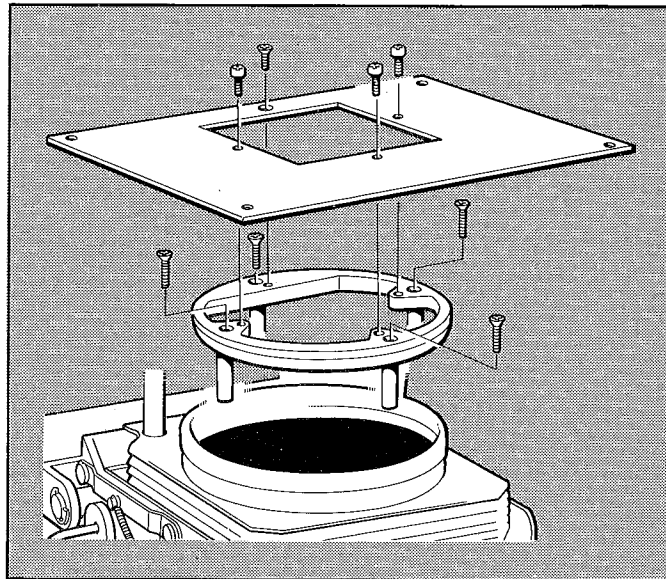
2

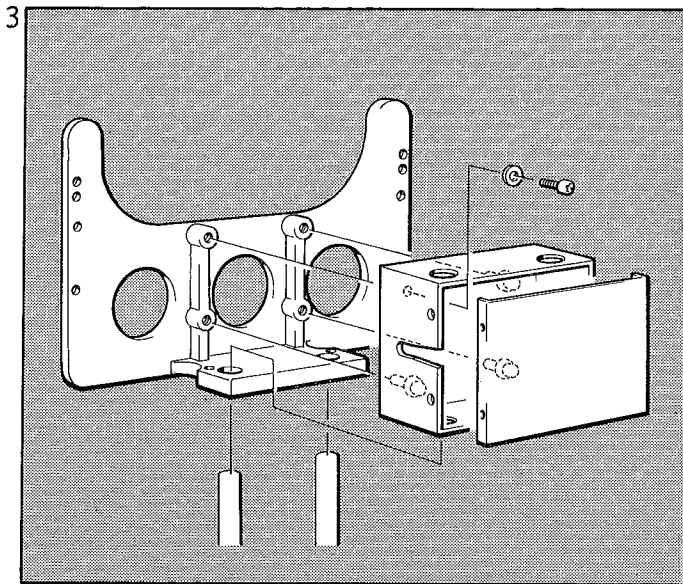
FITTING THE ILFOSPEED MULTIGRADE 500H ENLARGER HEAD

With the Beseler enlarger head removed, the enlarger is ready to accept the ILFOSPEED MULTIGRADE 500H enlarger head.

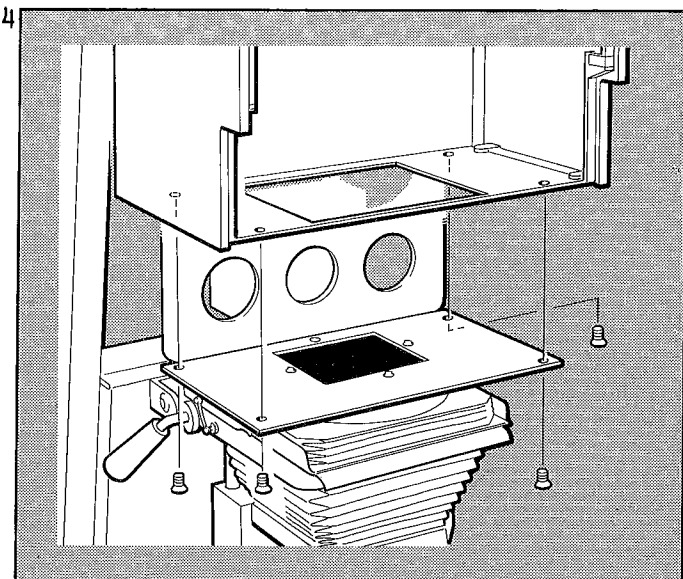


Secure the four spacer legs to the spacer ring with the four M3x16mm countersunk head screws. Secure the spacer ring to the bottom closing plate with the M3x8mm countersunk head screw, and the three M3x8mm pan head screws. Fit the assembly to the enlarger bellows ring as shown.





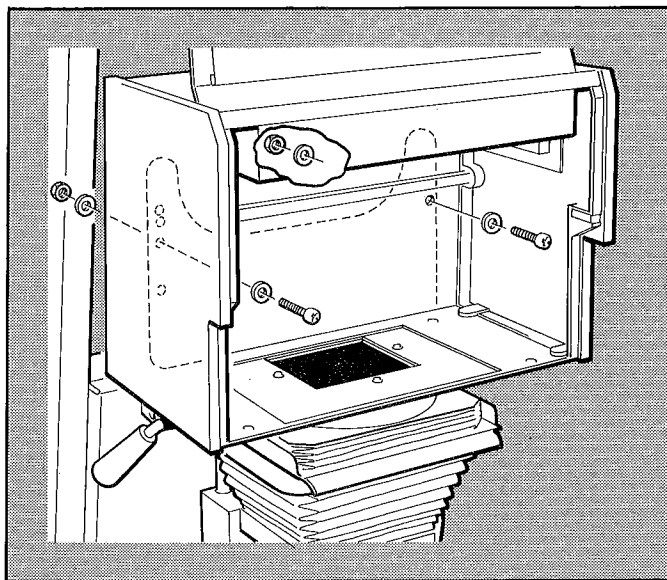
Secure the Beseler support casting box to the back mounting bracket with the four M4x8mm pan head screws and associated washers. Refit the Beseler back cover to the support casting box. Fit the assembly onto the enlarger slide rods as shown.



Position the ILFOSPEED MULTIGRADE 500H enlarger head upside down on a bench. Remove the four countersunk head screws and associated cup washers from the base. Discard the cup washers. With the enlarger head the correct way up, raise the front cover and move both lamps towards each other to expose the two fixing holes in the rear panel. Push out the blanking plugs.

Secure the enlarger head to the bottom closing plate using the four countersunk head screws removed above.

Position the head on the enlarger chassis. Move the back mounting bracket up the slide rods until the holes are aligned, as shown. Secure the enlarger head to the back mounting bracket with the two M4x20mm pan head screws and associated nuts and washers.



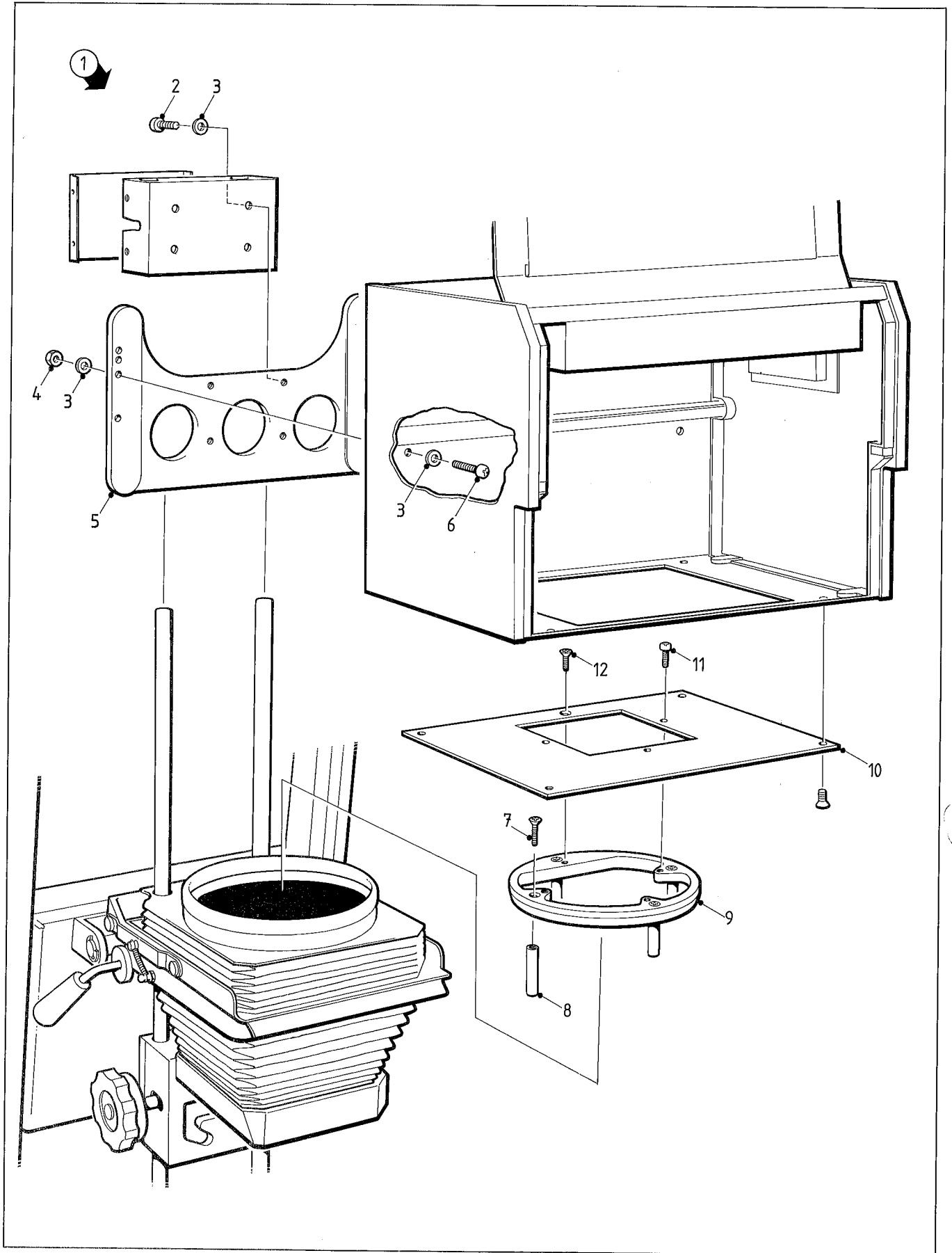


Figure 3.1

3 PARTS LIST

Figure 3.1 and the following table detail all spare parts that are available. When ordering spare parts, please quote the part number in order that ILFORD Limited may process your order quickly and efficiently.

Ref no. on figure 3.1	Part no.	Description	Quantity
1	6110-P-001	Adaptor kit, complete	
2	87989771	Screw, M4x8mm, pan head	4
3	89730454	Washer, M4, plain	8
4	86203904	Nut, M4	2
5	6109-2-100	Back mounting bracket	1
6	87989775	Screw, M4x20mm, pan head	2
7	87990424	Screw, M3x16mm, countersunk head	4
8	6110-4-102	Spacer leg	4
9	6095-2-107	Spacer ring	1
10	6069-2-111	Bottom closing plate	1
11	87989744	Screw, M3x8mm, pan head	3
12	87990421	Screw, M3x8mm, countersunk head	1
13+	6069-2-106	Register plate, 35mm	1
14+	6069-2-107	Register plate, 6x7cm	1
15+	6091-3-005	Light mixing box, 35mm, 45mm drop	1
16+	6092-3-005	Light mixing box, 6x7cm, 45mm drop	1

+ items not illustrated