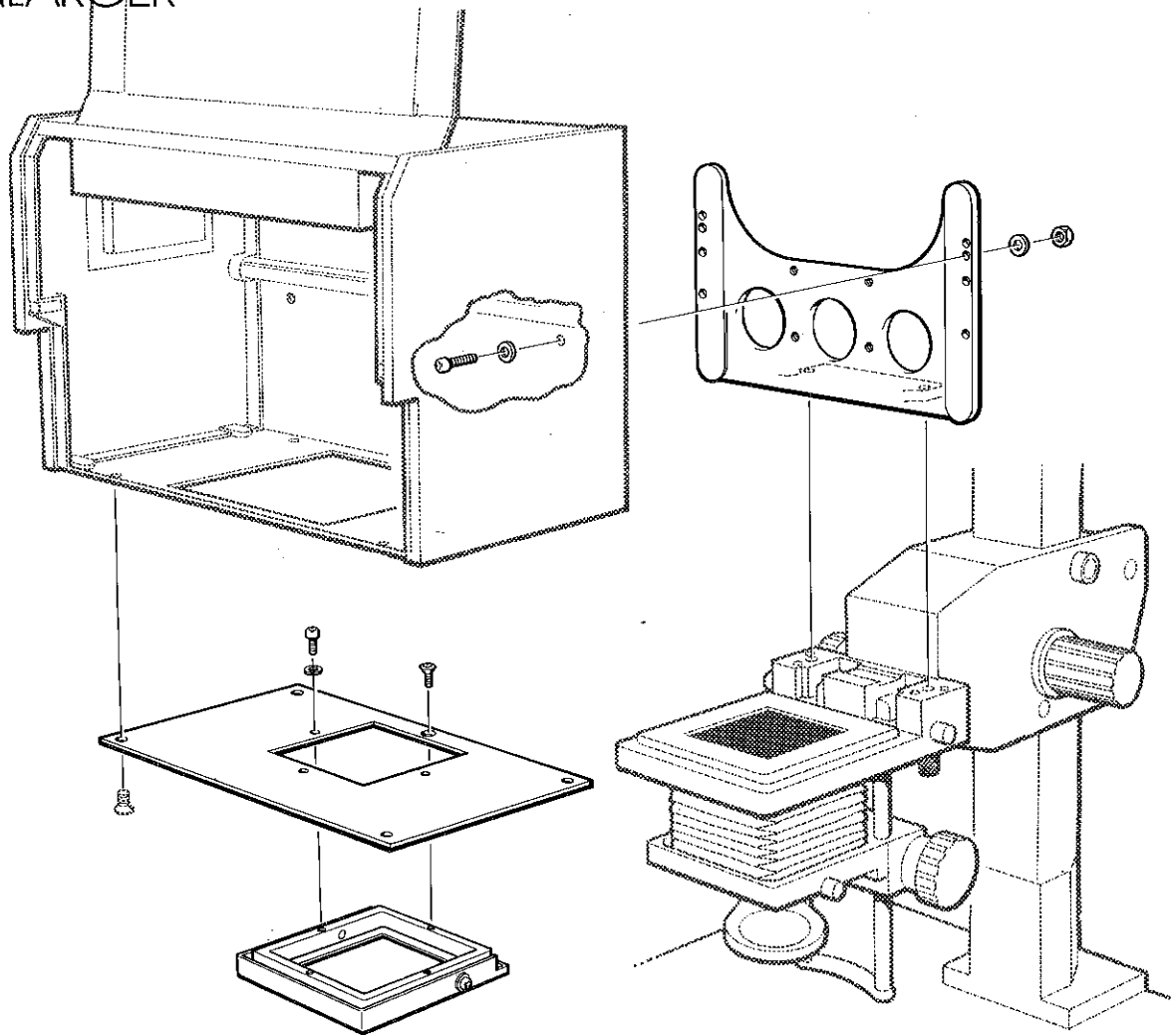


ILFOSPEED MULTIGRADE 500

ADAPTOR KIT FOR
THE LPL 7700
ENLARGER



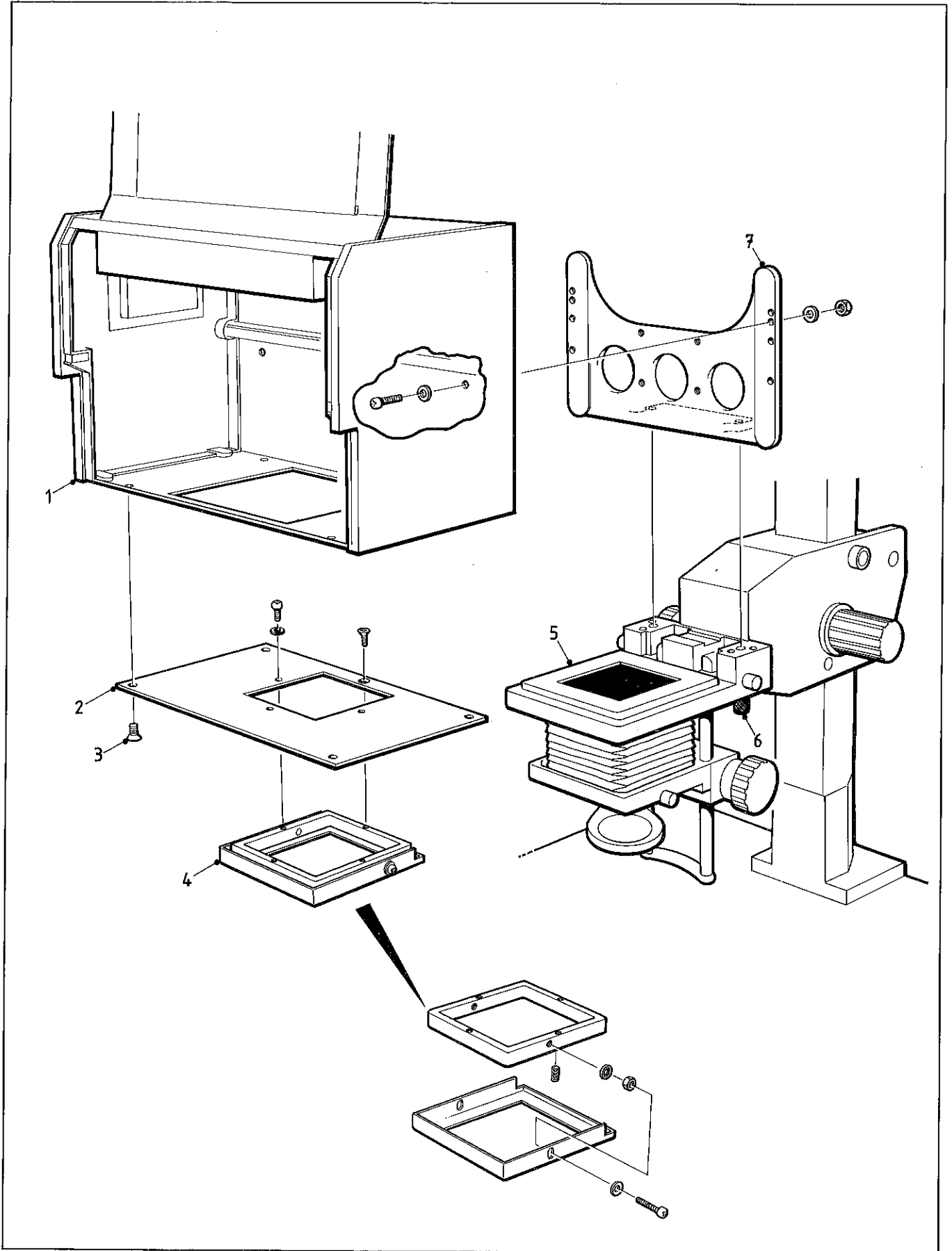


Figure 1.1

1 PRE-INSTALLATION

- 1 ILFOSPEED MULTIGRADE 500H enlarger head
- 2 Bottom closing plate
- 3 Securing screw - bottom closing plate
- 4 Floating mask assembly
- 5 LPL 7700 chassis
- 6 Captive knurled screw
- 7 Back mounting bracket

1.1 Introduction

The adaptor kit (see figure 1.1) enables the ILFOSPEED MULTIGRADE 500H enlarger head to be fitted to the LPL 7700 enlarger. Installation is straightforward provided the instructions in this manual are carefully followed. If you have any problems, please contact your nearest ILFORD selling company, the address of which can be found on the back cover of this manual.

Information regarding the fitting and changing of light mixing boxes is detailed in the ILFOSPEED MULTIGRADE 500 Operating manual, which must be read thoroughly before the equipment is used.

WARNING

To prevent irreparable damage to the equipment, do not use force when carrying out any of the following instructions. Because the lamp slides are free to move, handle the ILFORD ILFOSPEED MULTIGRADE 500H enlarger head with extreme care. Remove the lamps if you feel it is necessary.

1.2 Unpacking

The adaptor kit for the LPL 7700 enlarger consists of the sub-assemblies detailed in table 1.1. Each sub-assembly is packed in a plastic bag, with the part number written on the bag. Please ensure you have all the correct items before proceeding with any of the fitting instructions (see also figure 1.1).

Table 1.1 Adaptor kit

Part no.	Description
6069-2-106	Register plate, 35mm
6069-2-107	Register plate, 6x7cm
6091-3-003	Light mixing box, 35mm
6092-3-003	Light mixing box, 6x7cm
6069-2-111	Bottom closing plate
6109-2-100	Back mounting bracket
6109-P-002	Sub kit

The sub kit, part number 6109-P-002, consists of the items detailed in table 1.2.

Note

The floating mask assembly is supplied complete and is made up from the items marked * in table 1.2.

Table 1.2 Sub kit 6109-P-002

Description	Quantity
Floating mask assembly	1
*Mask	1
*Screw, M3x16mm, pan head	2
*Washer, M3, plain	5
*Washer, M3, shakeproof	2
*Nut, M3	2
*Compression spring, no.6	2
Screw, M3x8mm, countersunk head	1
Screw, M3x8mm, pan head	3
Screw, M4x20mm, pan head	2
Washer, M4, plain	4
Nut, M4	2

1.3 Removing the LPL enlarger head

The LPL 7700 enlarger head is counter balanced to be moved up and down the column with the minimum of effort. Before proceeding, ensure the chassis is positioned at a convenient working height and securely locked onto the column.

WARNING

Never lean over counter balanced enlargers; failure of the locking mechanism could cause injury.

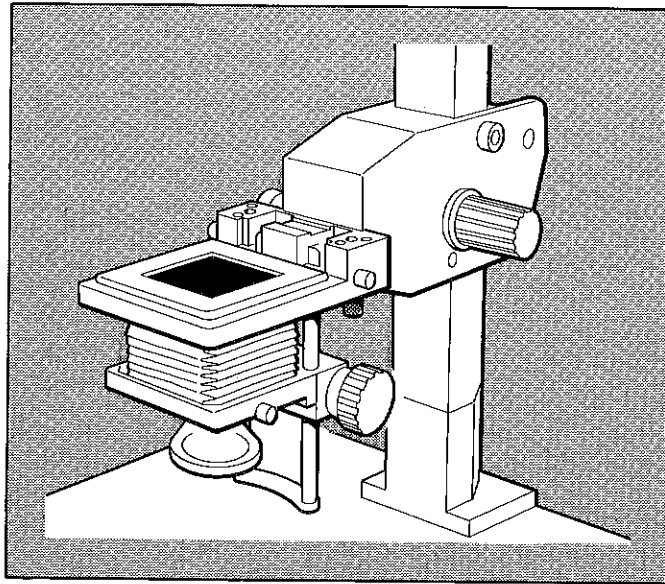
To remove the LPL enlarger head, proceed as follows (refer also to the manufacturer's literature):

- 1 Remove the negative carrier.
- 2 Support the lamphouse and release the two knurled captive screws located below the chassis. Lift the lamphouse off the chassis.

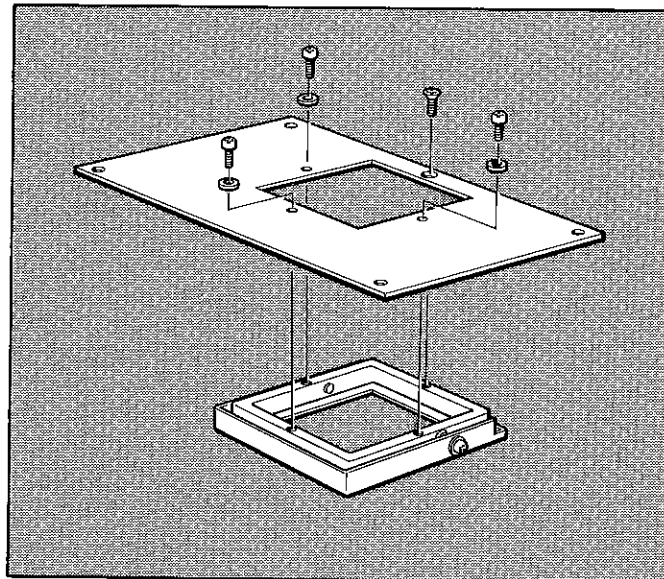
2

FITTING THE ILFOSPEED MULTIGRADE 500H ENLARGER HEAD

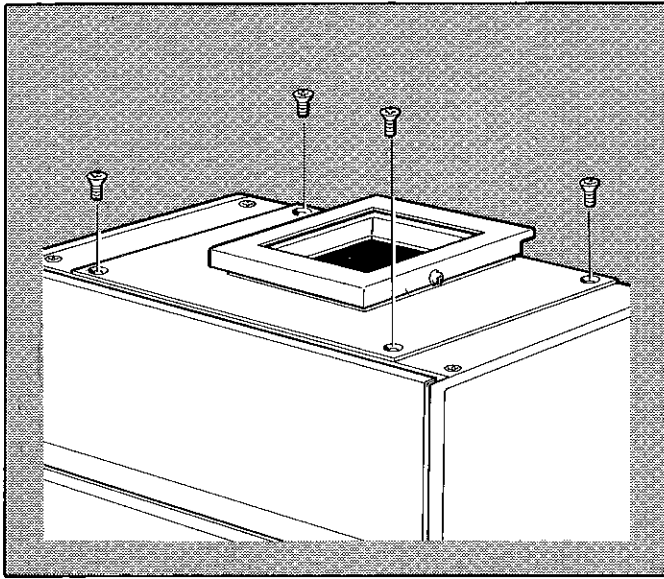
With the LPL enlarger head removed, the enlarger is ready to accept the ILFOSPEED MULTIGRADE 500H enlarger head.



Secure the floating mask assembly to the bottom closing plate with the M3x8mm countersunk head screw, and the three M3x8mm pan head screws.

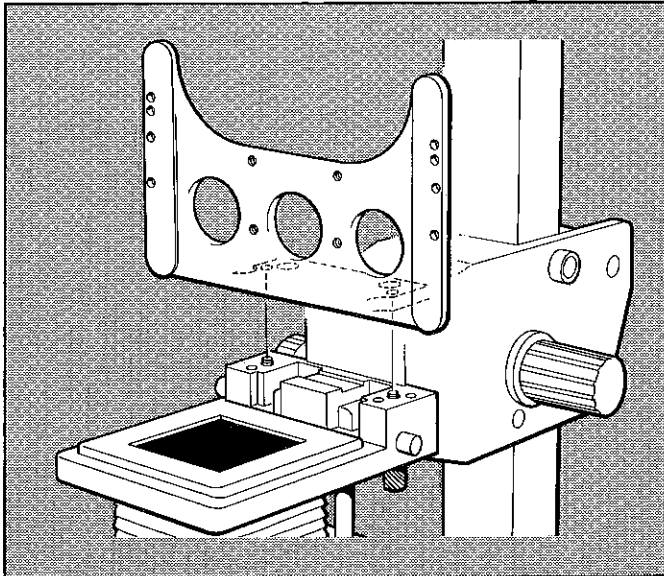


3



Position the ILFOSPEED MULTIGRADE 500H enlarger head upside down on a bench. Remove the four countersunk head screws and associated cup washers from the base. Discard the cup washers. Secure the bottom closing plate assembly to the base of the enlarger head using the four countersunk head screws removed above.

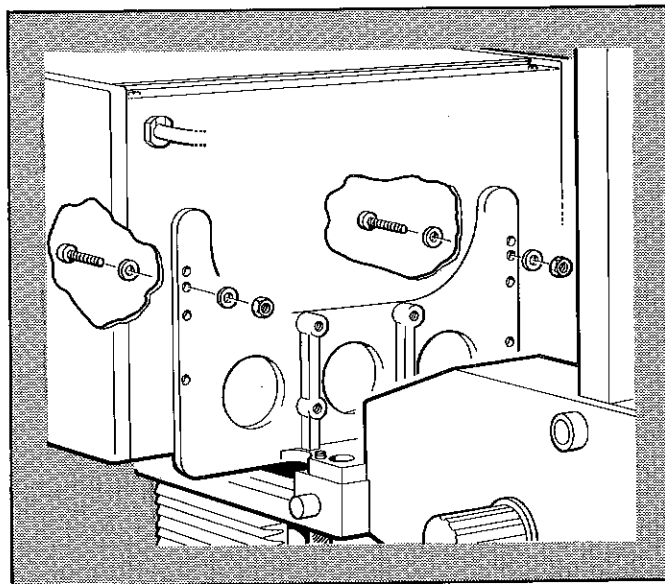
4



Secure the back mounting bracket to the enlarger chassis with the two knurled captive screws.

With the enlarger head the correct way up, raise the front cover and move both lamps towards each other to expose the two fixing holes in the rear panel. Push out the blanking plugs. Position the negative carrier on the chassis to support the enlarger head.

Secure the enlarger head to the back mounting bracket with the two M4x20mm pan head screws and associated nuts and washers.



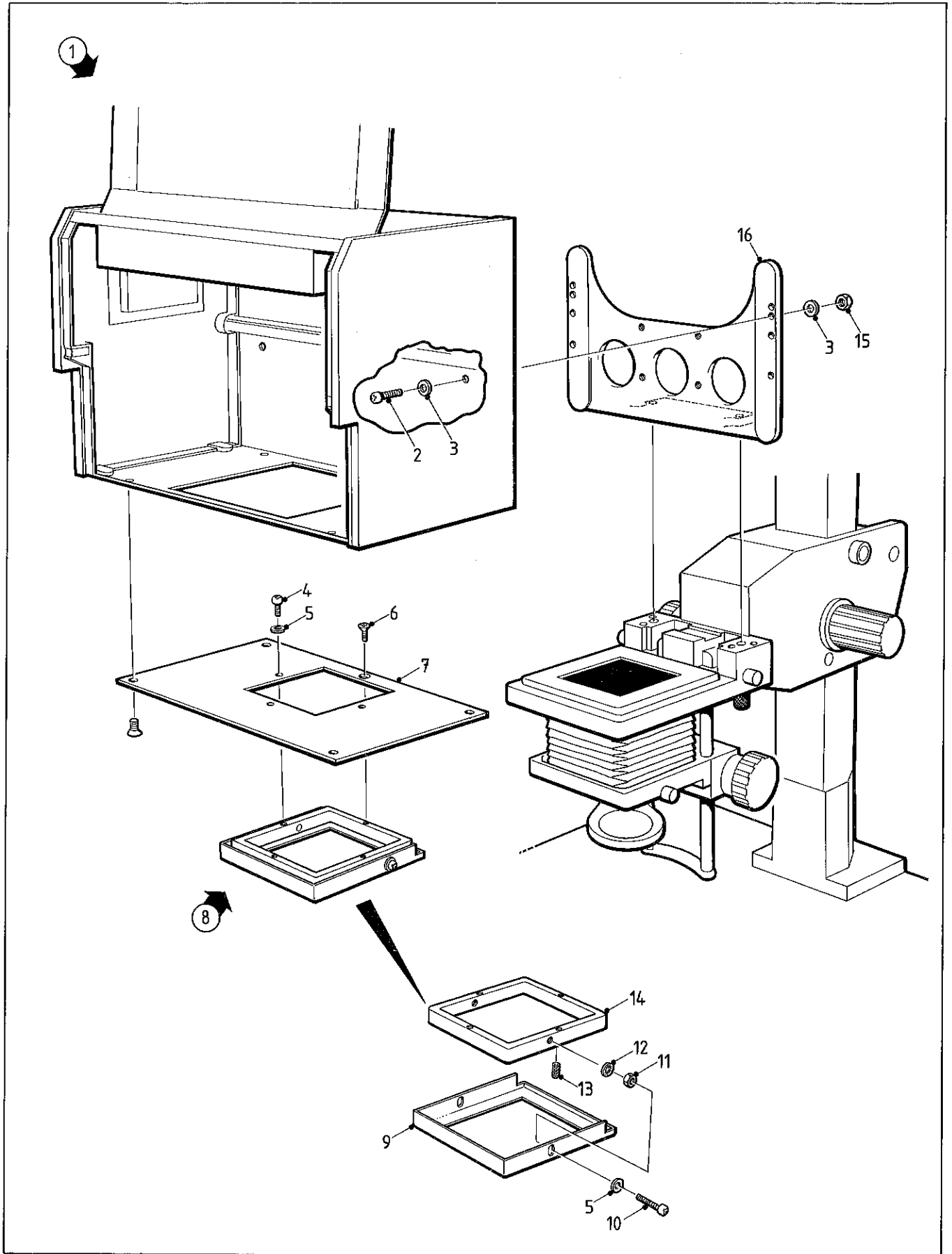


Figure 3.1

3 PARTS LIST

Figure 3.1 and the following table detail all spare parts that are available. When ordering spare parts, please quote the part number in order that ILFORD Limited may process your order quickly and efficiently.

Ref no. on figure 3.1	Part no.	Description	Quantity
1	6109-P-001	Adaptor kit, complete	
2	87989775	Screw, M4x20mm, pan head	2
3	89730454	Washer, M4, plain	4
4	87989744	Screw, M3x8mm, pan head	3
5	89730453	Washer, M3, plain	5
6	87990421	Screw, M3x8mm, countersunk head	1
7	6069-2-111	Bottom closing plate	1
8	6109-3-003	Floating mask assembly, complete	1
9	6109-3-102	Floating mask	1
10	87989747	Screw, M3x16mm, pan head	2
11	86203903	Nut, M3	2
12	89730619	Washer, M3, shakeproof	2
13	87995610	Compression spring, no.6	2
14	6109-3-101	Mask	1
15	86203904	Nut, M4	2
16	6109-2-100	Back mounting bracket	1
17+	6069-2-106	Register plate, 35mm	1
18+	6069-2-107	Register plate, 6x7cm	1
19+	6091-3-003	Light mixing box, 35mm, 25mm drop	1
20+	6092-3-003	Light mixing box, 6x7cm, 25mm drop	1

+ items not illustrated.