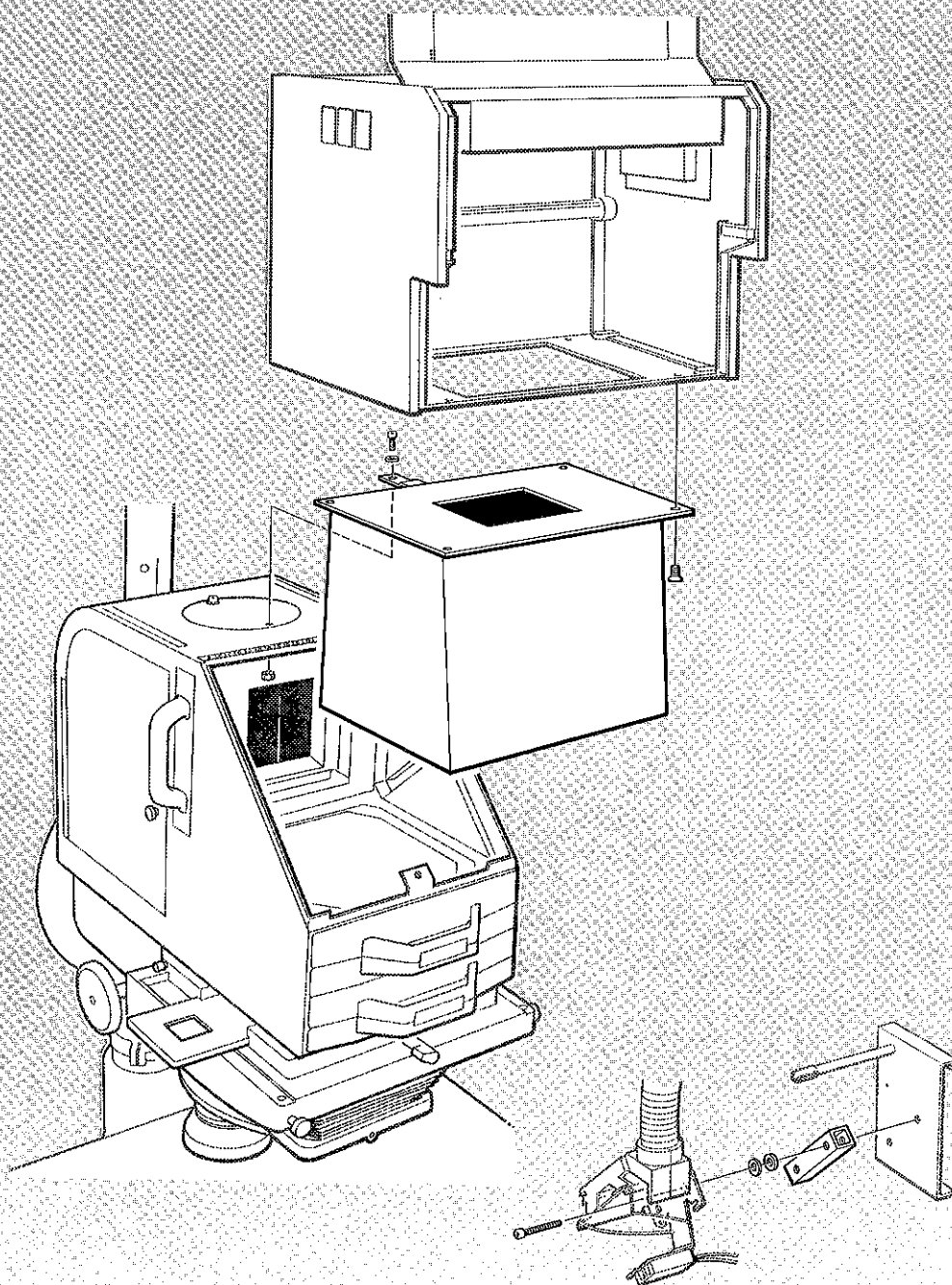


# ILFOSPEED MULTIGRADE 500

ADAPTOR KIT FOR THE  
DURST 138S ENLARGER  
FOR NEGATIVES UP TO  
13x18CM (5x7 INCHES)



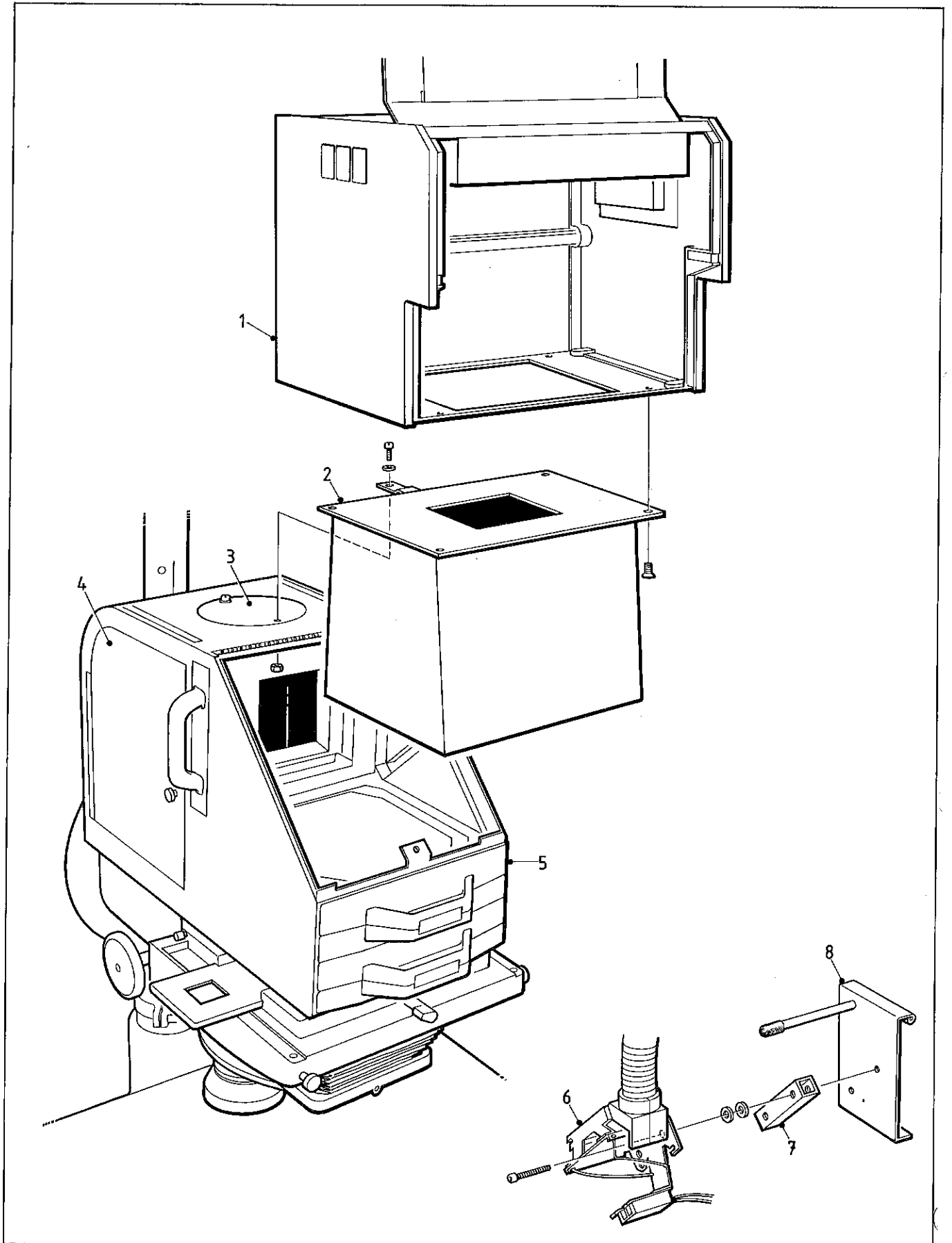


Figure 1.1

# 1 PRE-INSTALLATION

- 1 ILFOSPEED  
MULTIGRADE 500H  
enlarger head
- 2 Adaptor box
- 3 Top cover
- 4 Access door
- 5 Durst 138S  
enlarger head
- 6 Lampholder -  
right hand
- 7 Packing block
- 8 Lampholder slide  
- right hand

## 1.1 Introduction

The adaptor kit (see figure 1.1) enables the ILFORD ILFOSPEED MULTIGRADE 500H enlarger head to be fitted to the Durst 138S enlarger, and is suitable for negative sizes up to 13x18cm (5x7 inches). Installation is straightforward provided the instructions in this manual are followed carefully. If you have any problems, please contact your nearest ILFORD selling company, the address of which can be found on the back cover of this manual.

The ILFOSPEED MULTIGRADE 500H enlarger head is a diffuser light source. It is designed to replace the original light source and condensers on a condenser enlarger, using a specially designed adaptor kit. With the diffuser series of adaptor kits, condenser enlargers are converted to diffuser enlargers, and a maximum of three light mixing boxes are supplied for negative sizes 35mm, 6x7cm and 4x5 inches, as appropriate. However, this adaptor kit is one of a new generation of adaptor kits specially designed to enable your enlarger to be used with its condensers and so retain all the characteristics associated with a condenser enlarger. This adaptor kit is supplied with just one light mixing box which is suitable for all negative sizes, limited only by your enlarger.

### Note

With this adaptor kit, different condensers should be used for the different negative sizes. Please refer to the Durst recommendations.

Information regarding the fitting of light mixing boxes is detailed in the ILFOSPEED MULTIGRADE 500 Operating manual, which must be read thoroughly before the equipment is used.

### WARNING

To prevent irreparable damage to the equipment, do not use force when carrying out any of the following instructions. Because the lamp slides are free to move, handle the ILFOSPEED MULTIGRADE 500H enlarger head with extreme care. Remove the lamps if you feel it is necessary.

## 1.2 Unpacking

The adaptor kit for the Durst 138S enlarger for negative sizes up to 13x18cm (5x7 inches) consists of the sub-assemblies detailed in table 1.1. Each sub-assembly is packed in a plastic bag, with the part number written on the bag. Please ensure you have all the correct items before proceeding with any of the fitting instructions (see also figure 1.1).

**Table 1.1 Adaptor kit**

Part no.	Description
6069-2-109	Register plate, 6x7cm
6092-3-001	Light mixing box, 6x7cm
6069-P-002	Packing block sub kit
6134-P-002	Sub kit

The packing block sub kit, part number 6069-P-002, consists of the items detailed in table 1.2.

**Table 1.2 Packing block sub kit  
6069-P-002**

Description	Quantity
Packing block	2
Screw, M3x25mm, pan head	4
Washer, M3, plain	8

The sub kit, part number 6134-P-002, consists of the items detailed in table 1.3.

**Table 1.3 Sub kit 6134-P-002**

Description	Quantity
Adaptor box	1
Screw, M4x10mm, countersunk head	4

## 1.3 Preparing the Durst enlarger head

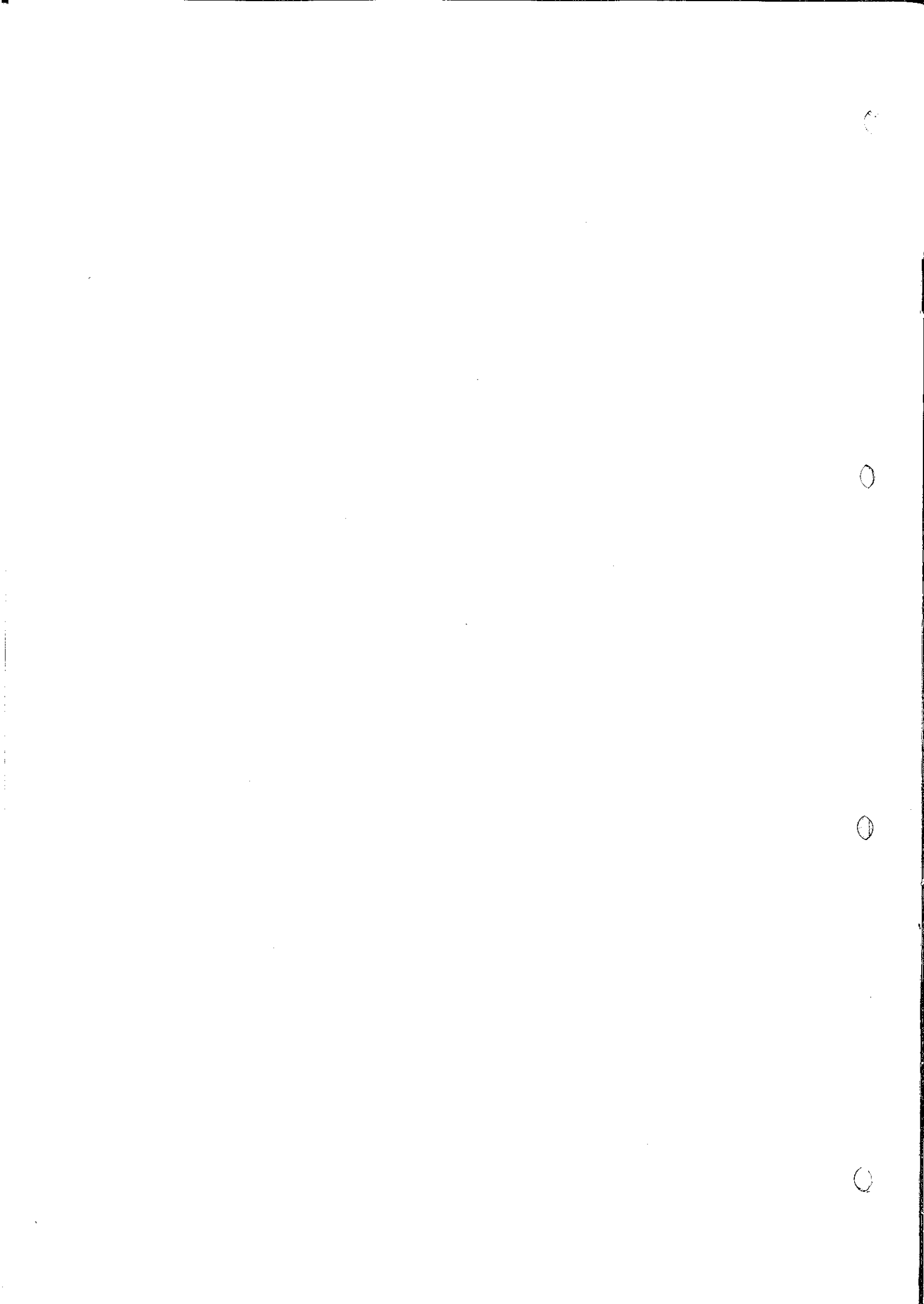
The Durst 138S enlarger head is counter balanced to be moved up and down the column with the minimum of effort. Before proceeding, ensure the chassis is positioned at a convenient working height and securely locked onto the column.

### **WARNING**

**Never lean over counter balanced enlargers; failure of the locking mechanism could cause injury.**

To prepare the Durst enlarger head, proceed as follows (refer also to the manufacturer's literature):

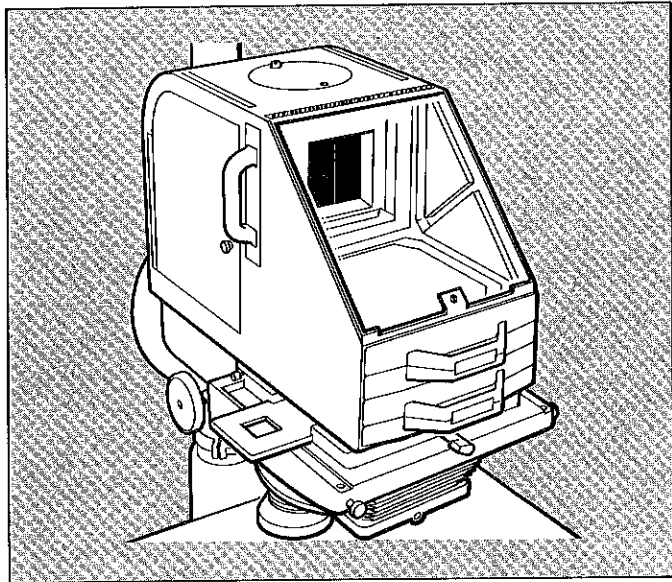
- 1 Release the knurled screw and open the door at the front of the lamphouse.
- 2 Carefully lift the 45° mirror out of the Durst head.
- 3 Using pliers, pull out the hinge wire at the top of the door and remove the front door.
- 4 Release the knurled screw and open the access door on the left hand side of the head. Remove the front screw, nut and washer securing the circular cover on the top of the head. Retain the screw, nut and washer, they will be used to secure the ILFOSPEED MULTIGRADE 500H enlarger head.



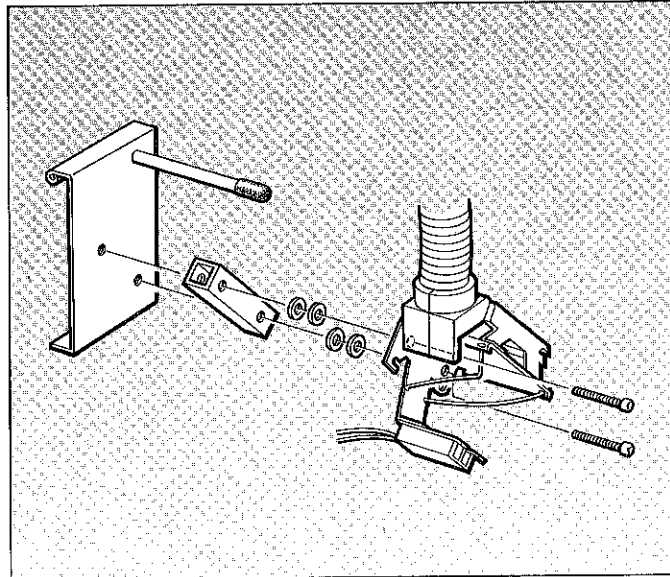
## 2

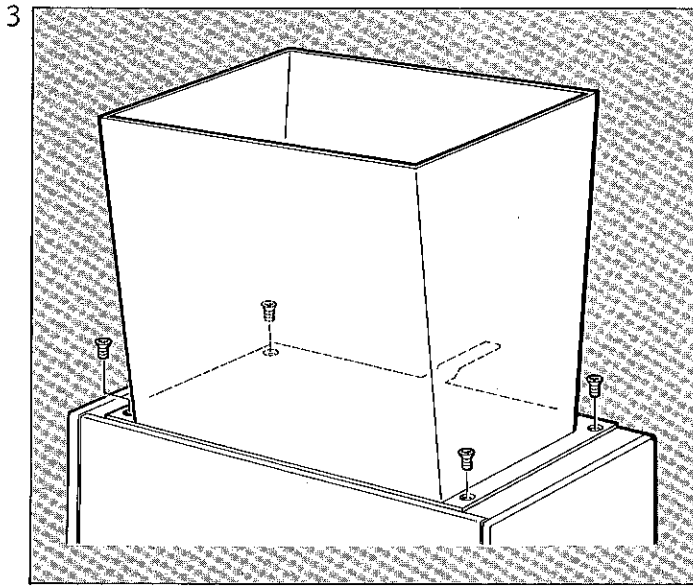
# FITTING THE ILFOSPEED MULTIGRADE 500H ENLARGER HEAD

The Durst 138S enlarger is now ready to accept the ILFOSPEED MULTIGRADE 500H enlarger head.



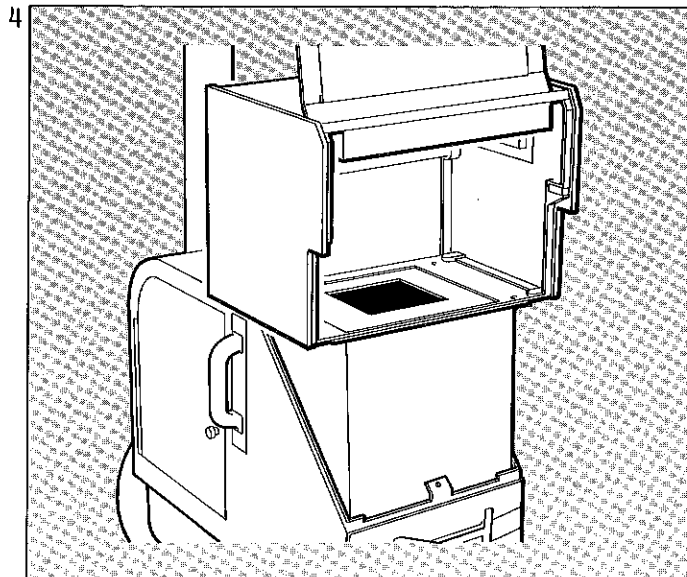
Remove the two lamps and the two screws securing each lampholder to its slide. Re-assemble the left hand lampholder to the slide using the spacer block, and two of the M3x25mm pan head screws and associated washers, as shown. Repeat for the right hand lampholder. Ensure full movement of the lampholders. Refit the lamps.





Position the ILFOSPEED MULTIGRADE 500H enlarger head upside down on a bench. Remove the four countersunk head screws and associated cup washers from the base. Discard the screws and cup washers.

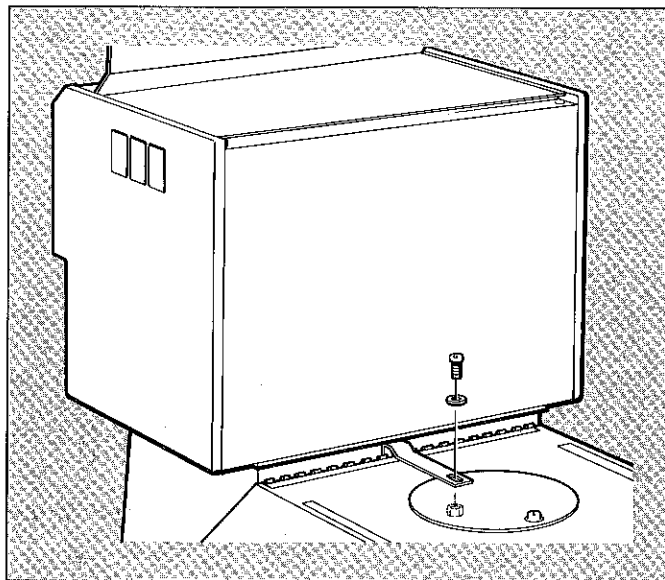
Secure the adaptor box to the head, as shown, using the four M4x10mm countersunk head screws.



Carefully position the assembly into the Durst lamphouse, as shown. This operation can be made easier if the assembly is tilted slightly forwards. Ensure all lower edges of the adaptor box are resting securely on the Durst lamphouse lower panel.



Secure the rear  
bracket to the Durst  
lamphouse top  
circular cover, using  
the screw, nut and  
washer removed in  
section 1.3,  
operation 4.



5

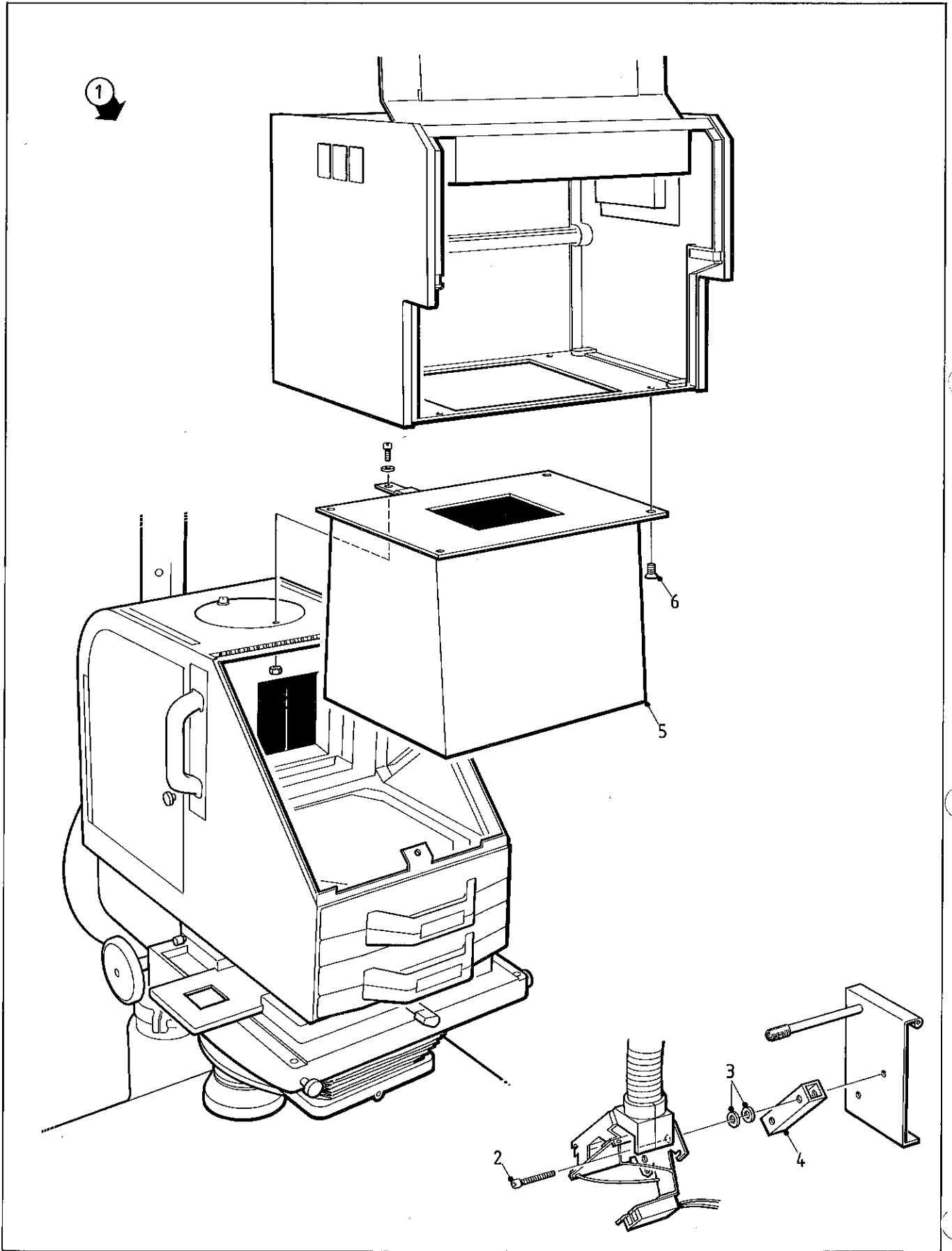


Figure 3.1

### 3

## PARTS LIST

Figure 3.1 and the following table detail all spare parts that are available. When ordering spare parts, please quote the part number in order that ILFORD Limited may process your order quickly and efficiently.

Ref no. on figure 3.1	Part no.	Description	Quantity
1	6134-P-001	<b>Adaptor kit, complete</b>	
2	87989749	Screw, M3x25mm, pan head	4
3	89730453	Washer, M3, plain	8
4	6069-4-110	Packing block	2
5	6134-0-100	Adaptor box	1
6	87990449	Screw, M4x10mm, countersunk head	4
7+	6069-2-109	Register plate, 6x7cm	1
8+	6092-3-001	Light mixing box, 6x7cm, 4mm drop	1

+ items not illustrated