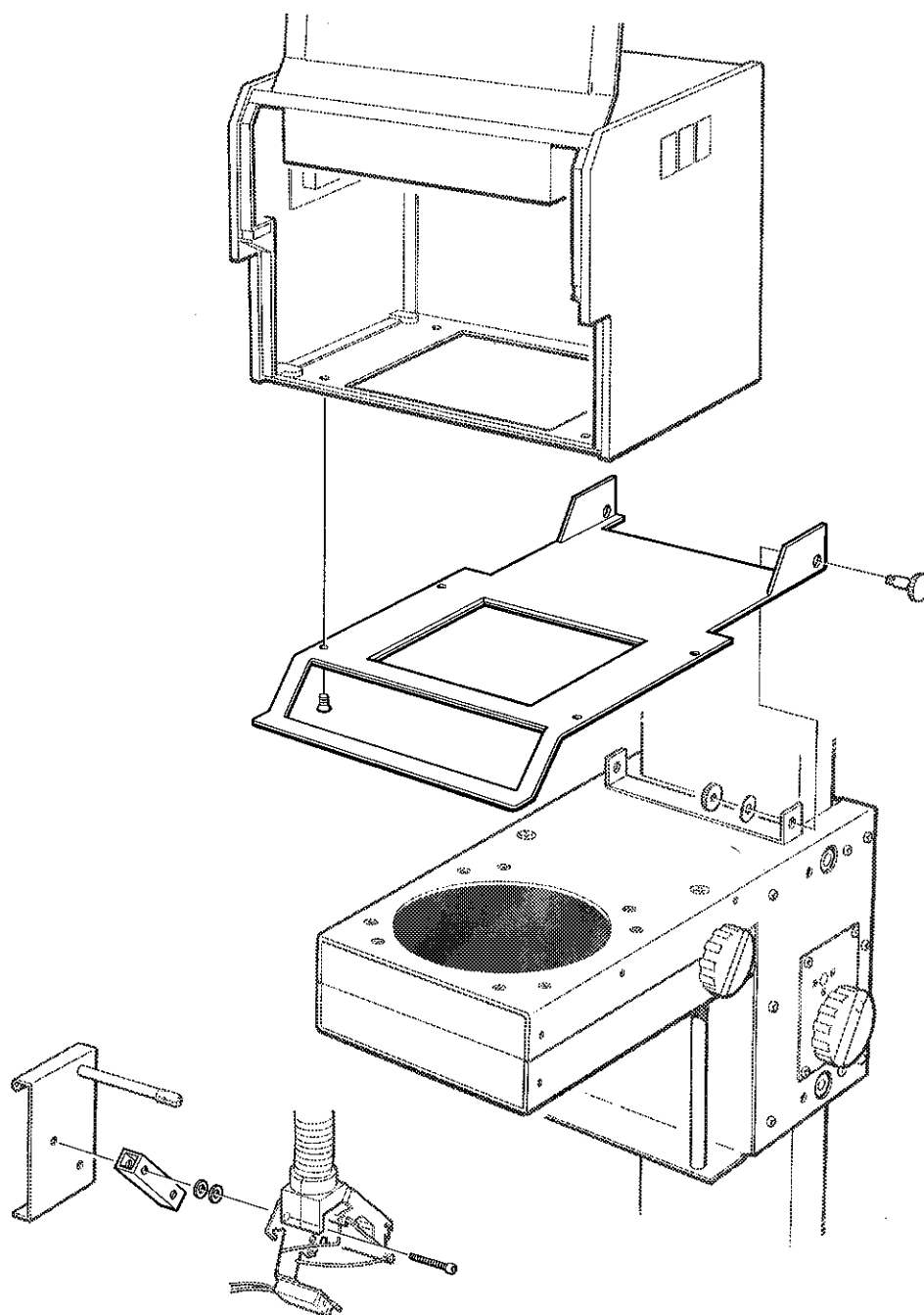


# ILFOSPEED MULTIGRADE 500

ADAPTOR KIT FOR  
THE DURST PRO  
ENLARGER



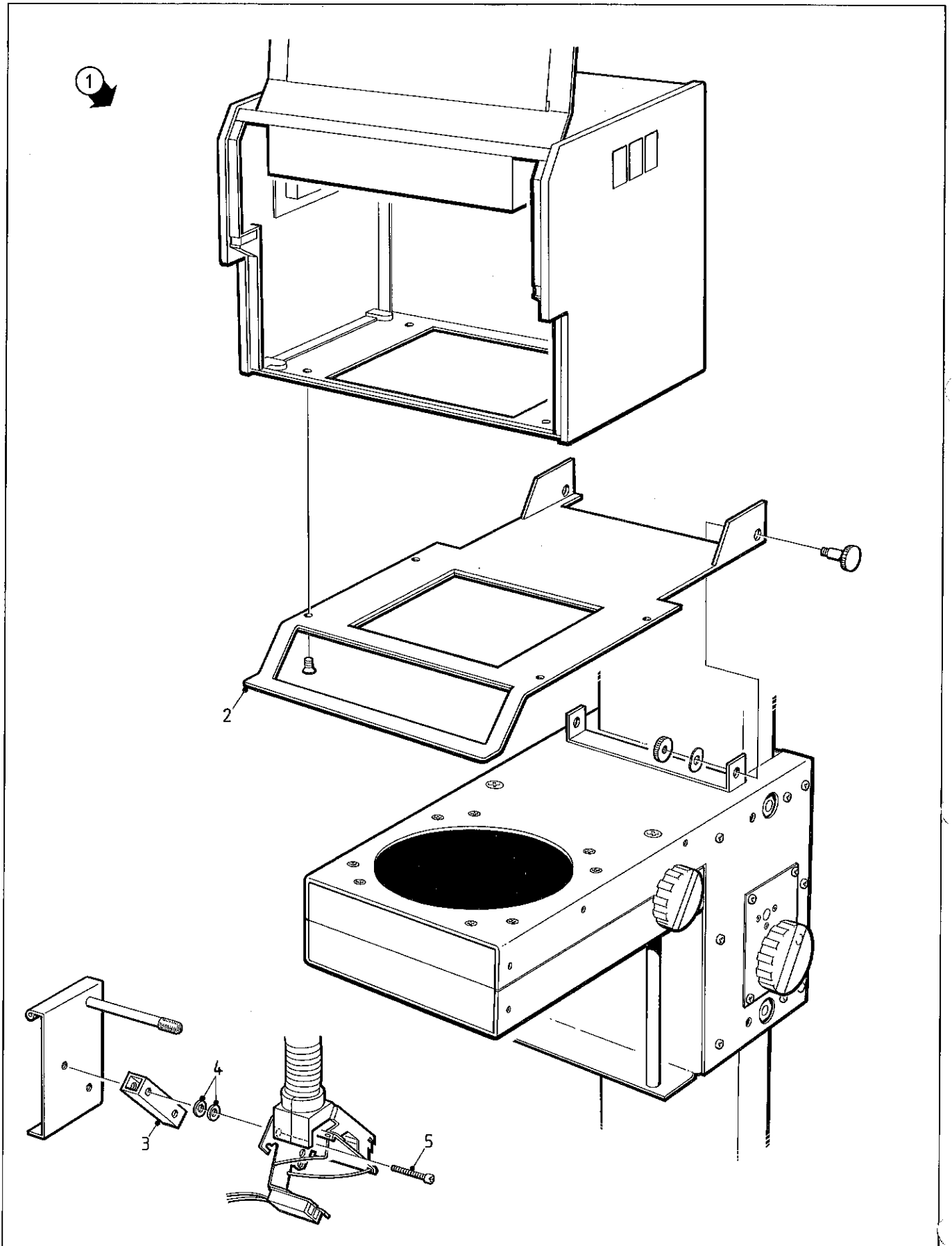


Figure 1.1

# 1 PRE-INSTALLATION

- 1 ILFOSPEED  
MULTIGRADE 500H  
enlarger head
- 2 Securing screw -  
adaptor plate
- 3 Adaptor plate
- 4 Lampholder slide  
- left hand
- 5 Packing block
- 6 Lampholder - left  
hand
- 7 Durst Pro chassis
- 8 2-part knurled  
screw assembly

## 1.1 Introduction

The adaptor kit (see figure 1.1) enables the ILFORD ILFOSPEED MULTIGRADE 500H enlarger head to be fitted to the Durst Pro enlarger. Installation is straightforward provided the instructions in this manual are followed carefully. If you have any problems, please contact your nearest ILFORD selling company, the address of which can be found on the back cover of this manual.

Information regarding the fitting and changing of light mixing boxes is detailed in the ILFOSPEED MULTIGRADE 500 Operating manual, which must be read thoroughly before the equipment is used.

### WARNING

To prevent irreparable damage to the equipment, do not use force when carrying out any of the following instructions. Because the lamp slides are free to move, handle the ILFOSPEED MULTIGRADE 500H enlarger head with extreme care. Remove the lamps if you feel it is necessary.

## 1.2 Unpacking

The adaptor kit for the Durst Pro enlarger consists of the sub-assemblies detailed in table 1.1. Each sub-assembly is packed in a plastic bag, with the part number written on the bag. Please ensure you have all the correct items before proceeding with any of the fitting instructions (see also figure 1.1).

Table 1.1 Adaptor kit

Part no.	Description
6069-2-108	Register plate, 35mm
6069-2-109	Register plate, 6x7cm
6091-3-001	Light mixing box, 35mm
6092-3-001	Light mixing box, 6x7cm
6093-3-001	Light mixing box, 4x5 inches
6069-P-002	Packing block sub kit
6113-0-100	Adaptor plate

The packing block sub kit, part number 6069-P-002, consists of the items detailed in table 1.2.

**Table 1.2 Packing block sub kit  
6069-P-002**

Description	Quantity
Packing block	2
Screw, M3x25mm, pan head	4
Washer, M3, plain	8

### 1.3 Removing the Durst enlarger head

The Durst Pro enlarger head is counter balanced to be moved up and down the column with the minimum of effort. Before proceeding, ensure the chassis is positioned at a convenient working height and securely locked onto the column.

#### **WARNING**

**Never lean over counter balanced enlargers; failure of the locking mechanism could cause injury.**

To remove the Durst enlarger head, proceed as follows (refer also to the manufacturer's literature):

- 1 Remove the negative carrier.
- 2 Carefully release the two large, 2-part knurled screw assemblies at the pivot points towards the rear of the enlarger head assembly.
- 3 Carefully lift the Durst enlarger head assembly off the chassis.

(1)

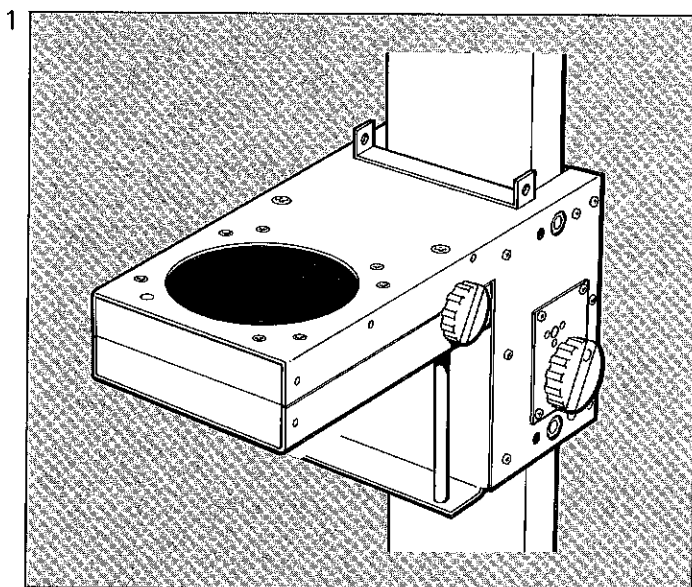
(1)

(1)

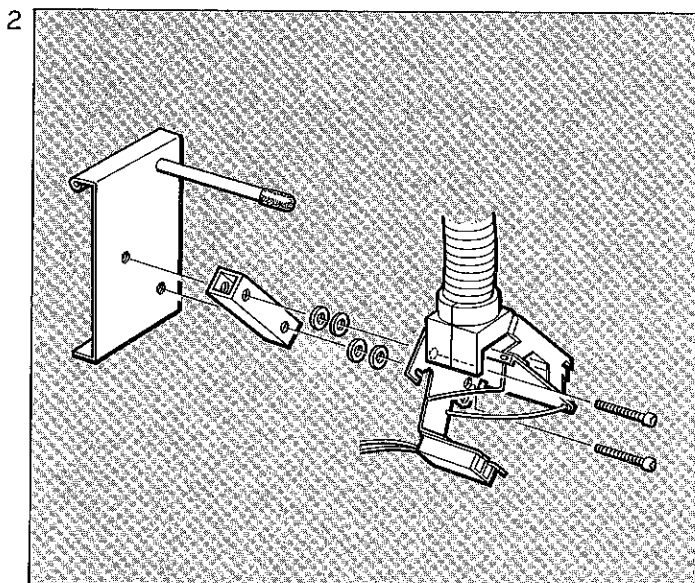
(1)

# 2

## FITTING THE ILFOSPEED MULTIGRADE 500H ENLARGER HEAD

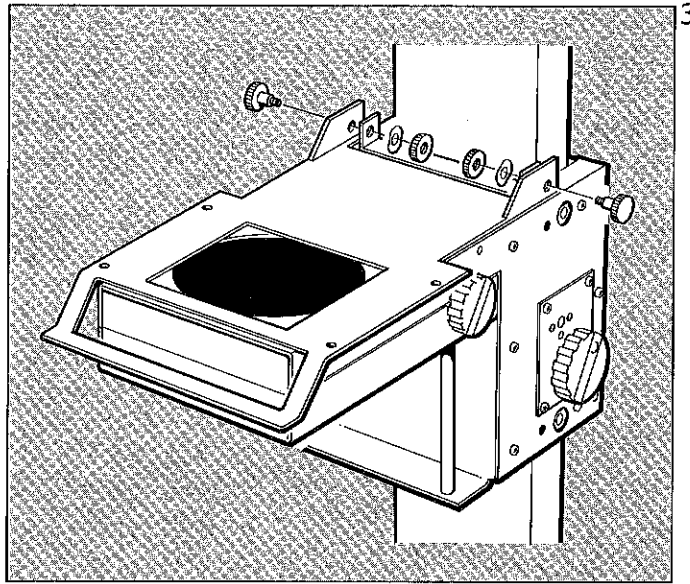


With the Durst enlarger head removed, the enlarger is ready to accept the ILFOSPEED MULTIGRADE 500H enlarger head.



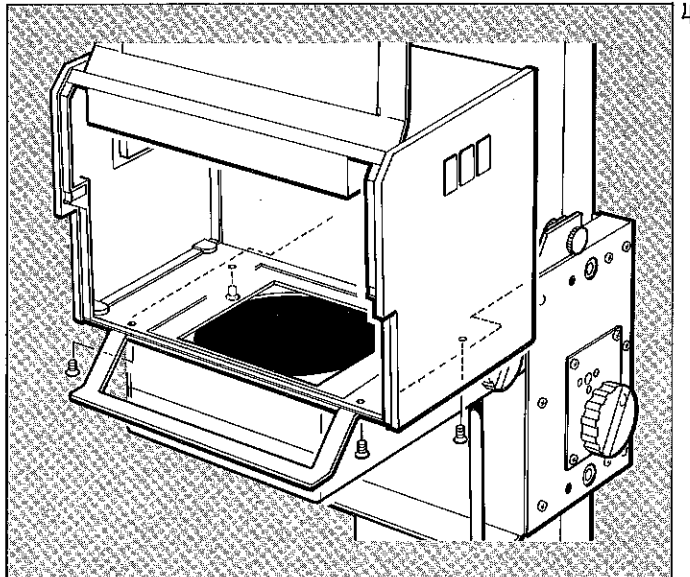
Remove the two lamps and the two screws securing each lampholder to its slide. Re-assemble the left hand lampholder to the slide using the spacer block, and two of the M3x25mm pan head screws and associated washers, as shown. Repeat for the right hand lampholder. Ensure full movement of the lampholders. Refit the lamps.

Secure the adaptor plate to the enlarger chassis, as shown, using the two 2-part knurled screw assemblies removed in section 1.3, operation 2.



Position the ILFOSPEED MULTIGRADE 500H enlarger head upside down on a bench. Remove the four countersunk head screws and associated cup washers from the base. Discard the cup washers.

Secure the head to the adaptor plate using the four countersunk head screws removed above.



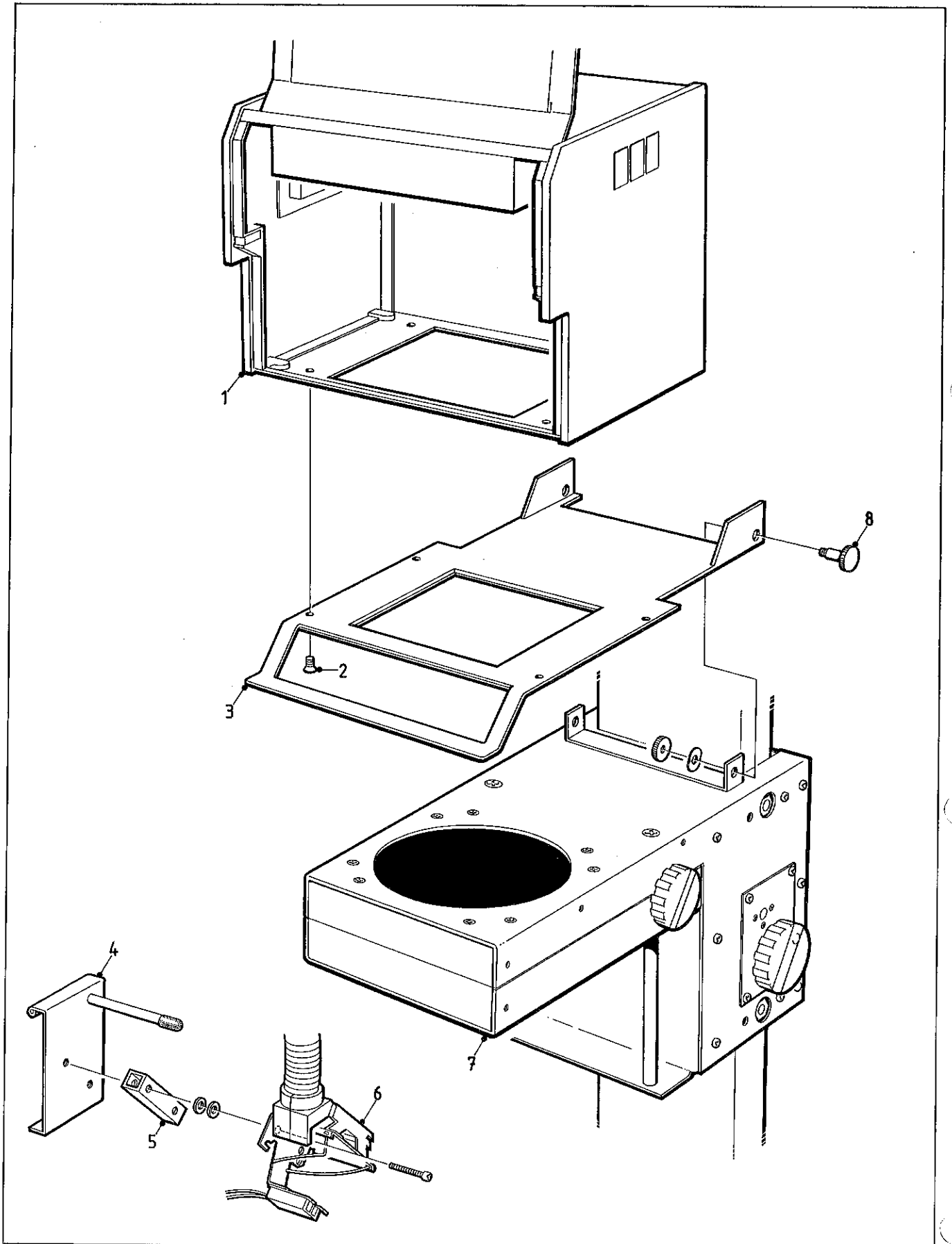


Figure 3.1



### 3

## PARTS LIST

Figure 3.1 and the following table detail all spare parts that are available. When ordering spare parts, please quote the part number in order that ILFORD Limited may process your order quickly and efficiently.

Ref no. on figure 3.1	Part no.	Description	Quantity
1	6113-P-001	<b>Adaptor kit, complete</b>	
2	6113-0-100	Adaptor plate	1
3	6069-4-110	Packing block	2
4	89730453	Washer, M3, plain	8
5	87989749	Screw, M3x25mm, pan head	4
6+	6069-2-108	Register plate, 35mm	1
7+	6069-2-109	Register plate, 6x7cm	1
(8+	6091-3-001	Light mixing box, 35mm, 4mm drop	1
9+	6092-3-001	Light mixing box, 6x7cm, 4mm drop	1
10+	6093-3-001	Light mixing box, 4x5 inches, 3mm drop	1

+ items not illustrated