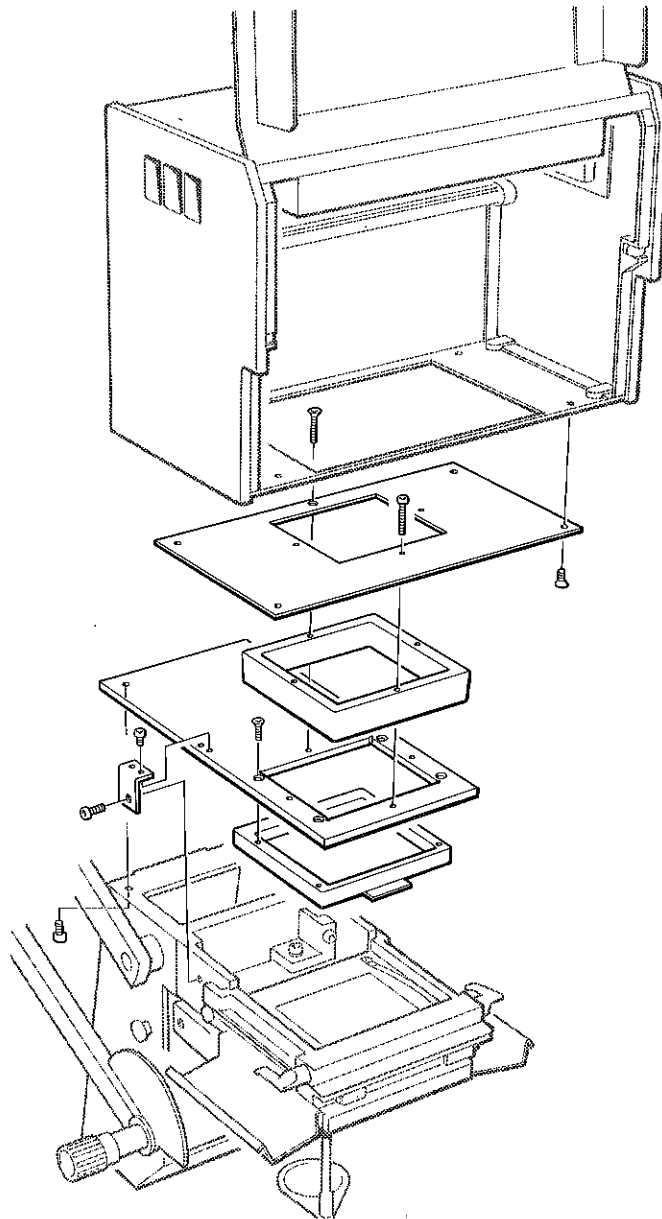
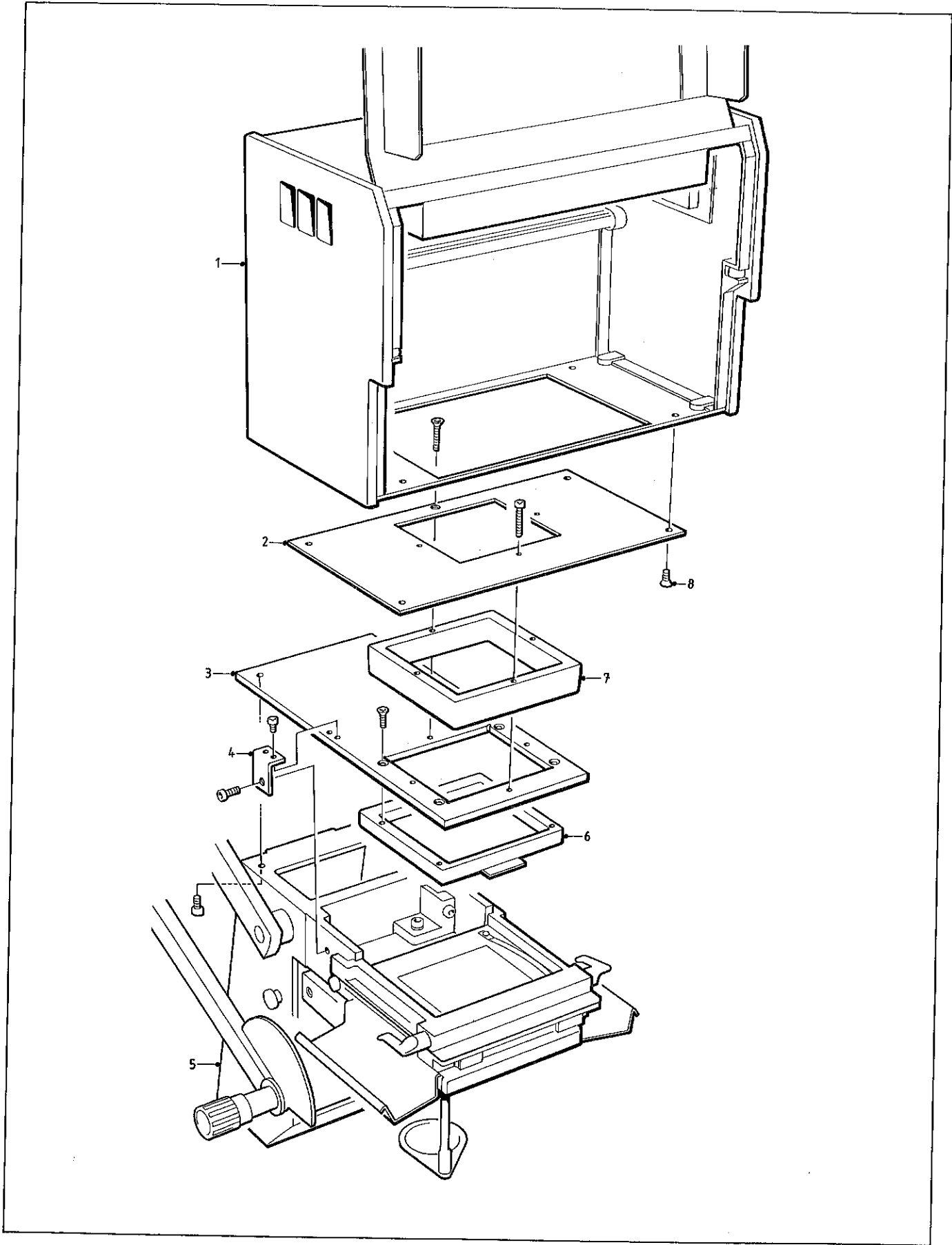


ILFORD MULTIGRADE 500

ADAPTOR KIT
FOR
THE IFF DUOGON
ENLARGER



DIFFUSER



1 PRE-INSTALLATION

1	MULTIGRADE 500H enlarger head	1.1	Introduction	The adaptor kit (see figure 1.1) enables the ILFORD MULTIGRADE 500H enlarger head to be fitted to the IFF Duogon enlarger. The original enlarger head and condensers are replaced, and the MULTIGRADE 500 assembly supplies diffuse light. Installation is straightforward provided the instructions in this leaflet are carefully followed. If you have any problems, please contact your nearest ILFORD selling company, the address of which can be found on the back cover of this leaflet.
2	Bottom closing plate			
3	Mounting plate			
4	Locating bracket			
5	IFF Duogon chassis			
6	Bottom spacer assembly			
7	Top spacer			
8	Countersunk screw			

Information regarding the fitting and changing of light mixing boxes is detailed in the MULTIGRADE 500 Operating manual, which must be read thoroughly before the equipment is used.

WARNING

To prevent irreparable damage to the equipment, do not use force when carrying out any of the following instructions. Because the lamp slides are free to move, handle the MULTIGRADE 500H enlarger head with extreme care. Remove the lamps if you feel it is necessary.

1.2 Unpacking

The adaptor kit for the IFF Duogon enlarger consists of the sub-assemblies detailed in table 1.1. Each sub-assembly is packed in a plastic bag, with the part number written on the bag. Please ensure you have all the correct items before proceeding with any of the fitting instructions (see also figure 1.1).

- 1.3 **Removing the IFF Duogon enlarger head**
The IFF Duogon enlarger head is counter balanced to be moved up and down with the minimum of effort. Before proceeding, ensure the chassis is positioned at a convenient working height and securely locked.

WARNING

Never lean over counter balanced enlargers; failure of the locking mechanism could cause injury.

To remove the IFF Duogon enlarger head, proceed as follows (refer also to the manufacturer's literature):

- 1 To avoid possible damage, remove the condenser lenses and store them in a safe place.
- 2 Use the socket wrench provided to remove the four retaining screws, situated one each side at the rear of the negative carrier and two at the rear underside of the head.
- 3 Carefully lift the head away from the chassis.

Table 1.1 Adaptor kit

Part no.	Description
6069-2-106	Register plate, 35mm
6069-2-107	Register plate, 6x7cm
6091-P-004	Light mixing box, 35mm
6092-P-004	Light mixing box, 6x7cm
6069-2-111	Bottom closing plate
6149-P-002	Sub kit
6149-P-003	Sub kit

The sub kit, part number 6149-P-002, consists of the items detailed in table 1.2.

Table 1.2 Sub kit 6149-P-002

Description	Quantity
Top spacer	1
Bottom spacer assembly	1
Screw, M3x27mm, pan head	3
Screw, M3x27mm, countersunk head	1
Screw, M3x12mm, countersunk head	4
Socket wrench, 3mm AF	1

The sub kit, part number 6149-P-003, consists of the items detailed in table 1.3.

Table 1.3 Sub kit 6149-P-003

Description	Quantity
Mounting plate	1
Locating bracket	2
Screw, M3x6mm, pan head	4
Screw, M4x8mm, socket head	2
Screw, M4x10mm, socket head	2

- 1.3 Removing the IFF Duogon enlarger head**
The IFF Duogon enlarger head is counter balanced to be moved up and down with the minimum of effort. Before proceeding, ensure the chassis is positioned at a convenient working height and securely locked.

WARNING

Never lean over counter balanced enlargers; failure of the locking mechanism could cause injury.

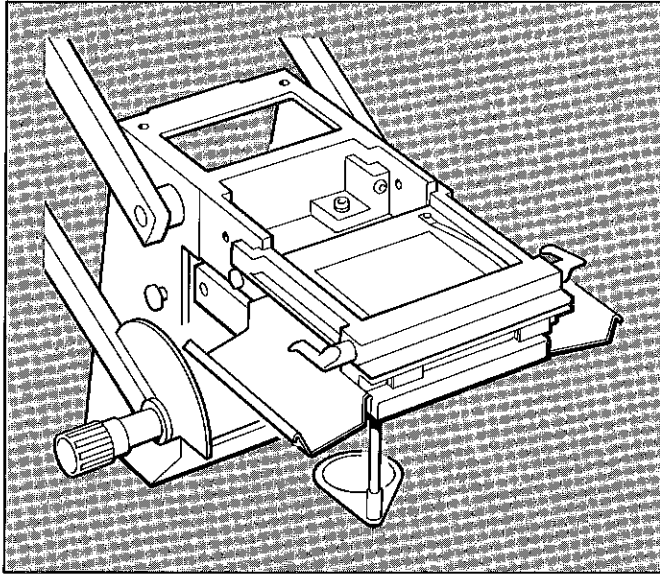
To remove the IFF Duogon enlarger head, proceed as follows (refer also to the manufacturer's literature):

- 1 To avoid possible damage, remove the condenser lenses and store them in a safe place.
- 2 Use the socket wrench provided to remove the four retaining screws, situated one each side at the rear of the negative carrier and two at the rear underside of the head.
- 3 Carefully lift the head away from the chassis.

2

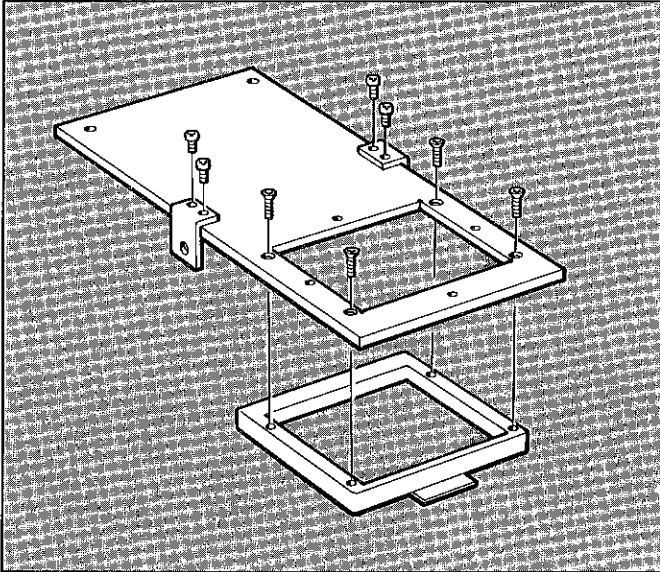
FITTING THE MULTIGRADE 500H ENLARGER HEAD

1



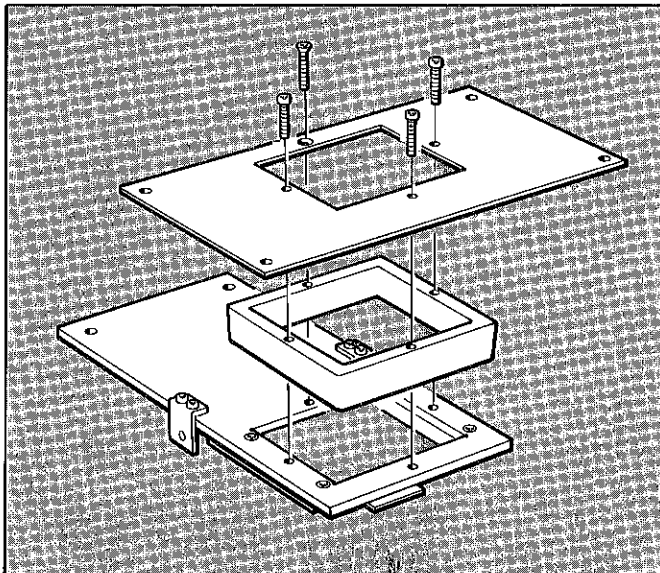
With the IFF Duogon enlarger head removed, the enlarger is ready to accept the MULTIGRADE 500H enlarger head.

2



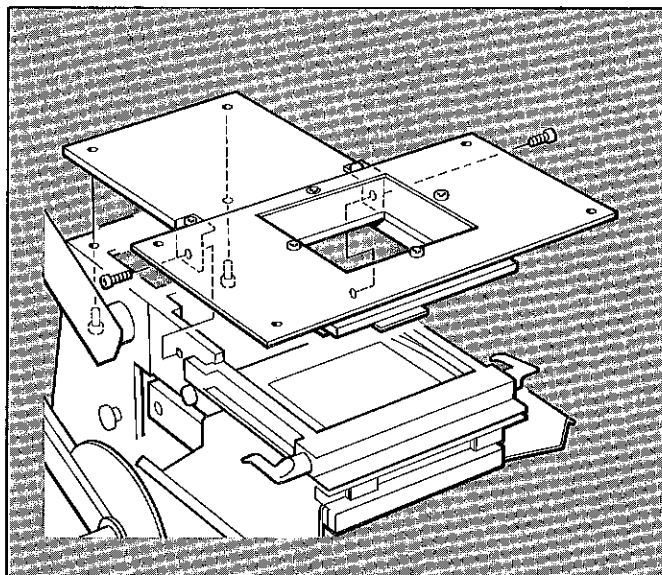
Attach the two locating brackets to the mounting plate using the four M3x6mm pan head screws. Secure the bottom spacer assembly to the mounting plate using the four M3x12mm countersunk head screws, as shown.

3



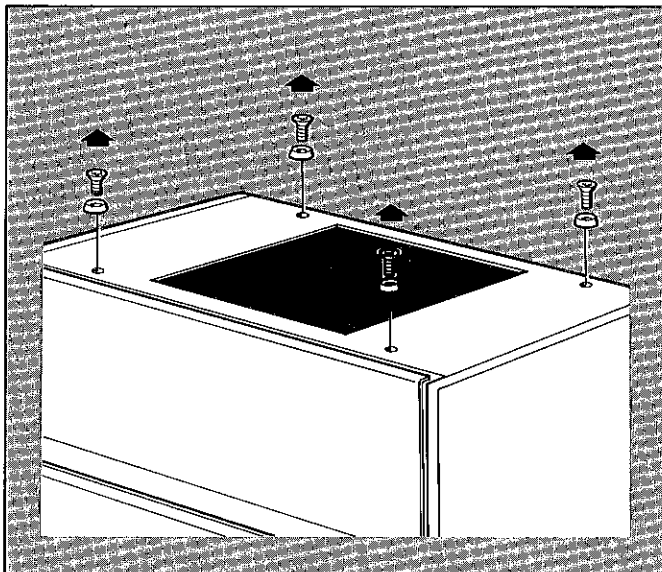
Secure the top spacer and the bottom closing plate to the mounting plate using the single M3x27mm countersunk head screw at the rear and the three M3x27mm pan head screws at the front and sides, as shown.

Secure the adaptor assembly to the chassis with the two M4x10mm socket head screws (through the locating brackets) and the two M4x8mm socket head screws (through the rear of the chassis). Use the socket wrench supplied to tighten all screws.



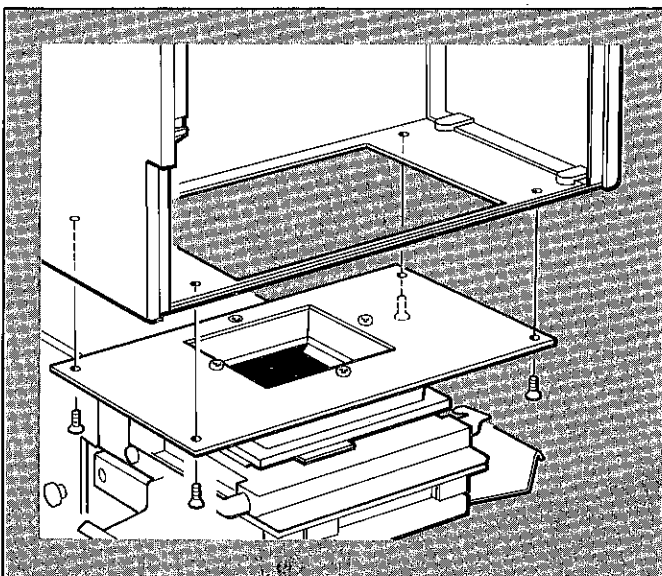
4

Position the enlarger head upside down on a bench. Remove the four countersunk head screws and associated cup washers from the base. Discard the cup washers.



5

Secure the enlarger head to the bottom closing plate, as shown, using the four countersunk head screws removed above.



6

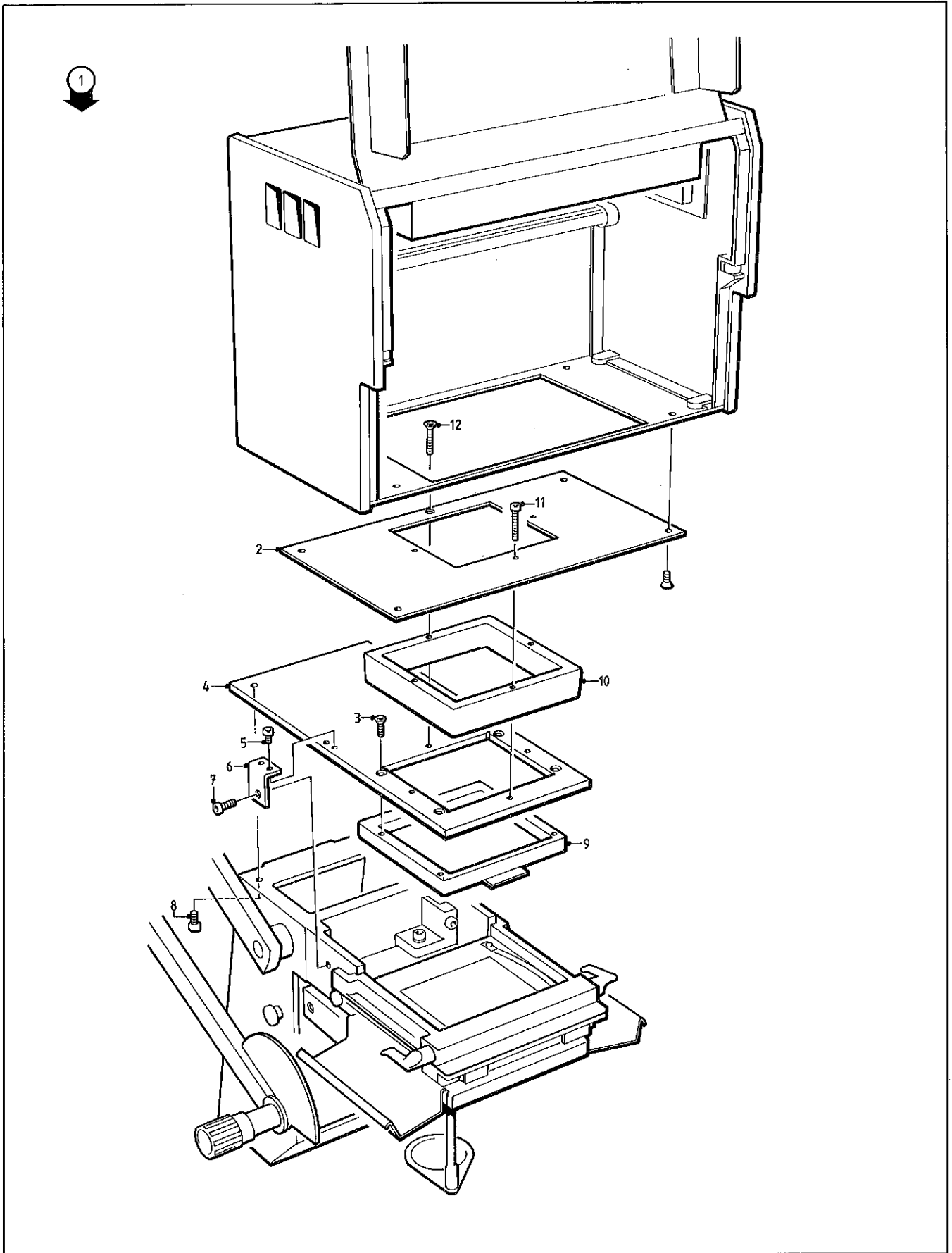


Figure 3.1

3 PARTS LIST

Figure 3.1 and the following table detail all spare parts that are available. When ordering spare parts, please quote the part number in order that ILFORD Limited may process your order quickly and efficiently.

Ref no. on figure 3.1	Part no.	Description	Quantity
1	6149-P-001	Adaptor kit, complete	
2	6069-2-111	Bottom closing plate	1
3	87990423	Screw, M3x12mm, countersunk head	4
4	6149-2-100	Mounting plate	1
5	87992722	Screw, M3x6mm, pan head	4
6	6149-4-101	Locating bracket	2
7	87992520	Screw, M4x10mm, socket head	2
8	87992519	Screw, M4x8mm, socket head	2
9	6149-P-004	Bottom spacer assembly	1
10	6149-2-102	Top spacer	1
11	87992729	Screw, M3x27mm, pan head	3
12	87990427	Screw, M3x27mm, countersunk head	1
13+	6069-2-106	Register plate, 35mm	1
14+	6069-2-107	Register plate, 6x7cm	1
15+	6091-P-004	Light mixing box, 35mm, 40mm drop	1
16+	6092-P-004	Light mixing box, 6x7cm, 40mm drop	1
17+	80004002	Socket wrench, 3mm AF	1

+ items not illustrated.