

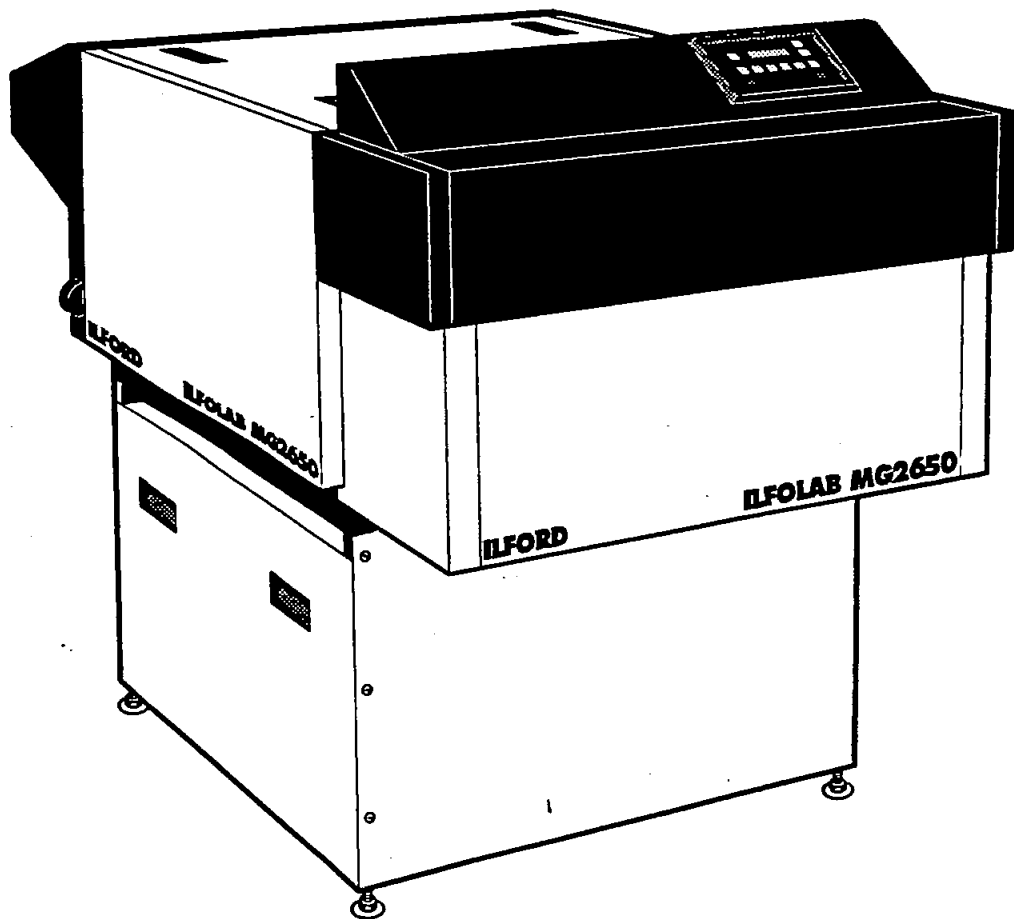
ILFORD

50/60Hz

SERVICE INFORMATION

ILFOLAB MG2650

FLOOR STANDING PROCESSOR FOR
BLACK AND WHITE PRINT MAKING



L1002

CE

UL

ILFOLAB MG2650 Illustrated Parts Catalog

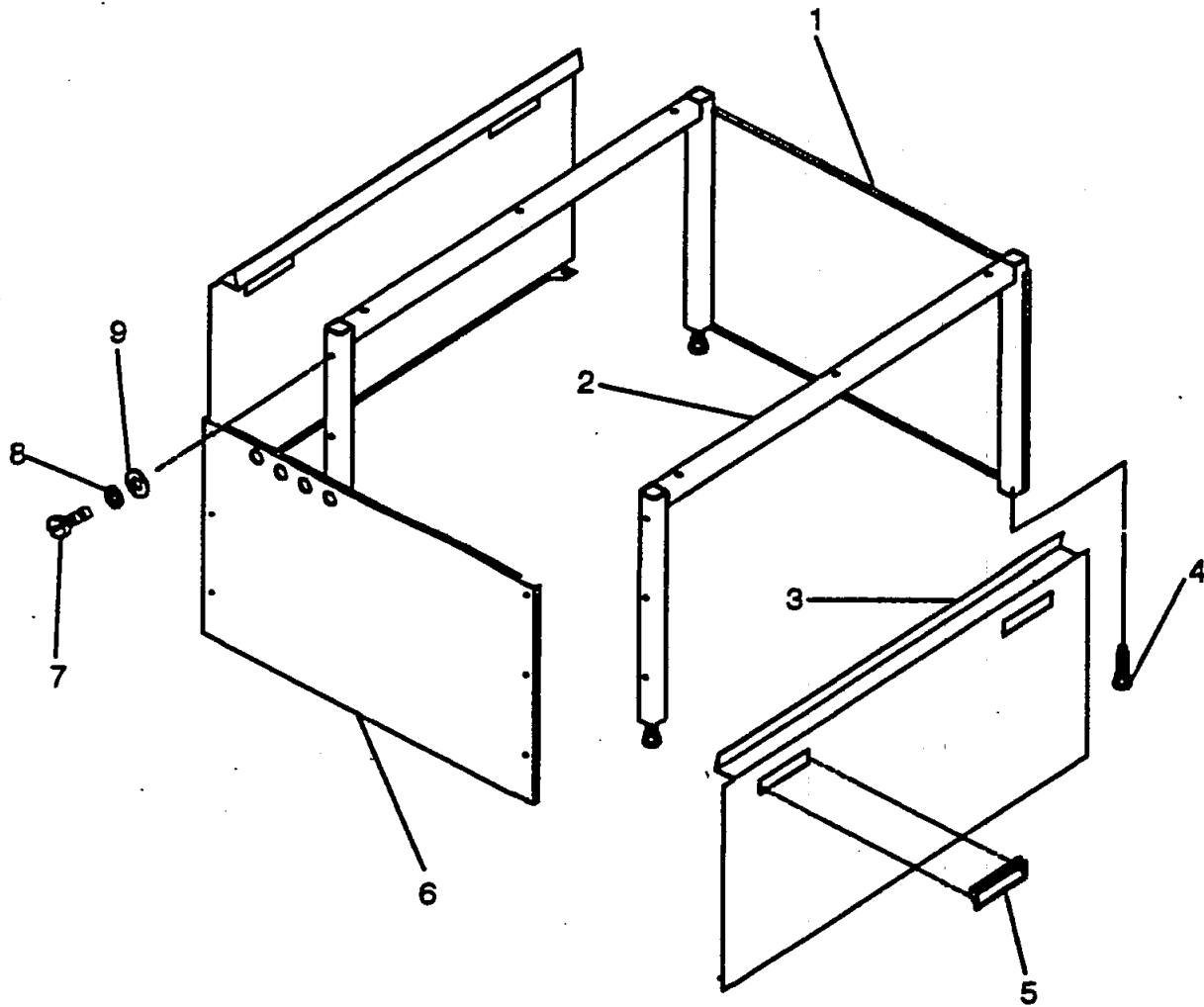


FIGURE 1.00 STAND ASSEMBLY

ILFOLAB MG2650 Illustrated Parts Catalog

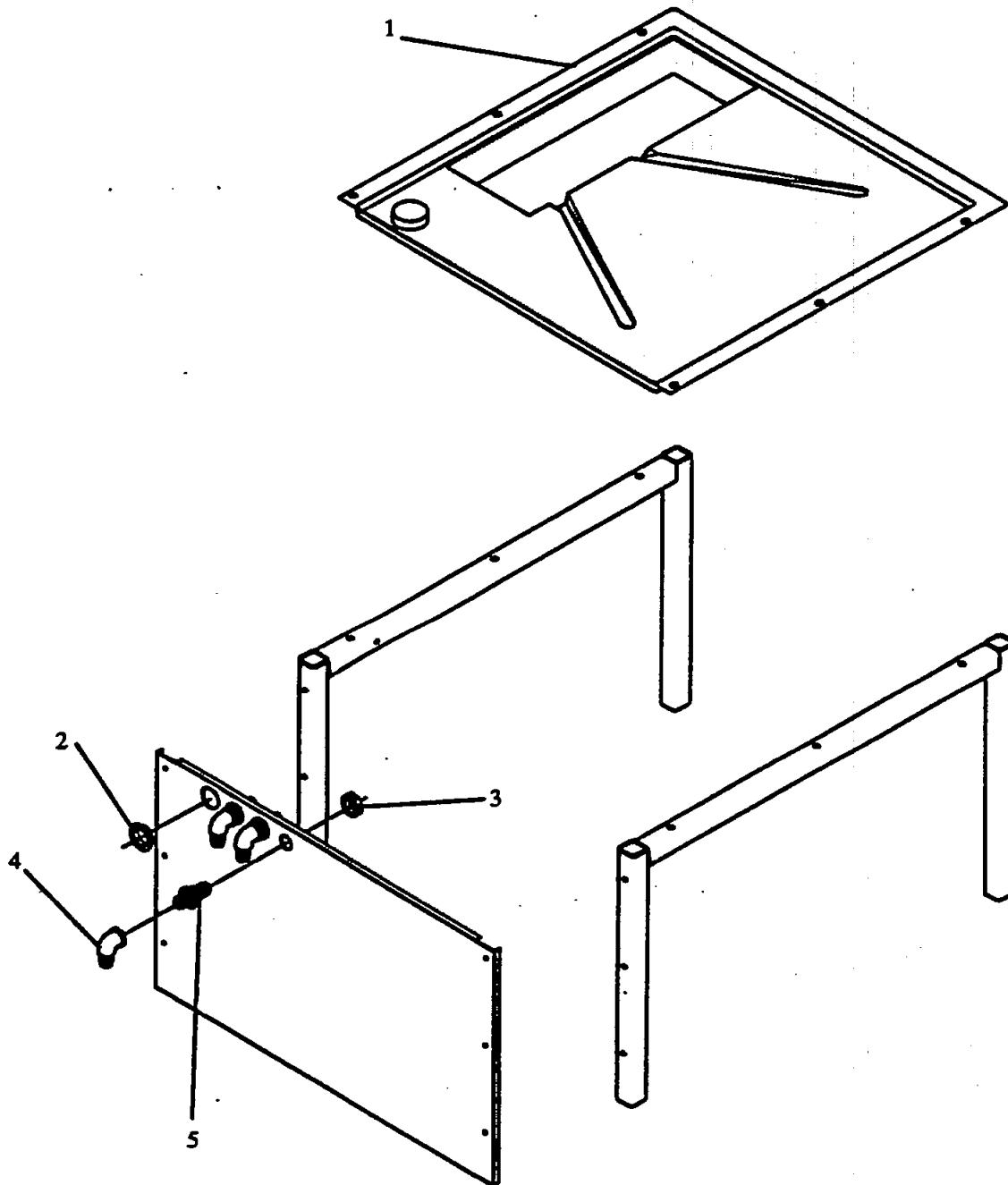


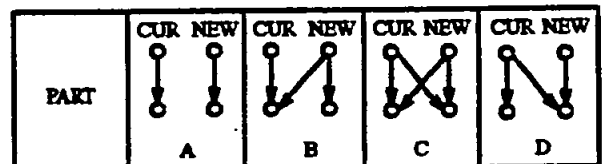
FIGURE 1.10 DRAIN ASSEMBLY

ILFOLAB MG2650 Illustrated Parts Catalog

FIGURE 1.10

Item No.	Gin No.	Kreonite Part No.	Description	Qty	Code	Int
1		07-43-036-67	PAN-DRAIN 3 TANK ILFOLAB	1		
2		K4-1019-12	BUSHING-INSUL SNAP	1		
3	1722774	16-23-007-8T	NUT-LOCK 3/4-14NPS	3		
4	1722839	17-23-039-4	ELBOW-1/2" FPT X 3/4" HOSE	3		
5		16-23-006-5	FITTING-BULKHEAD	3		

INTERCHANGEABILITY STATUS



ILFOLAB MG2650 Illustrated Parts Catalog

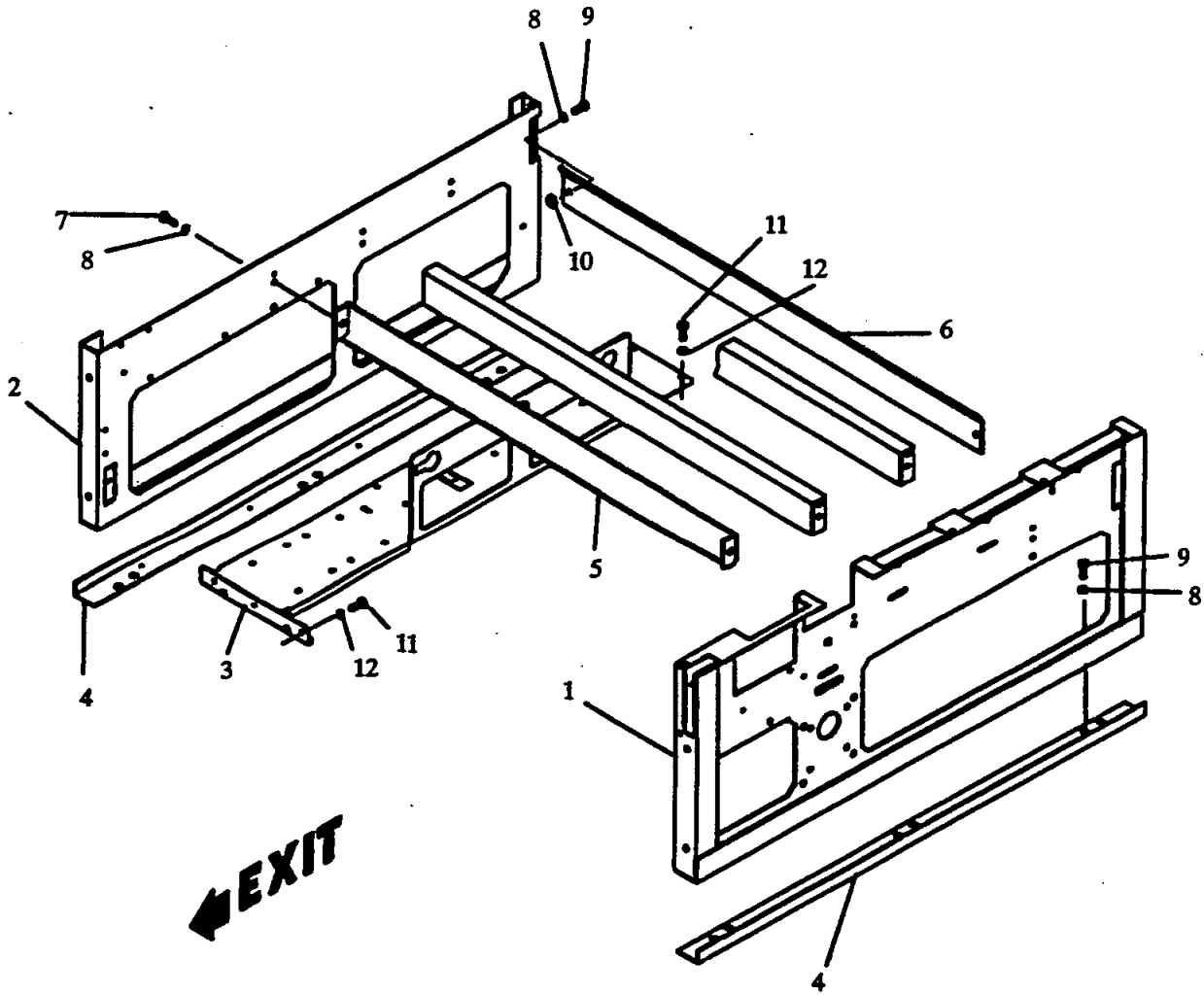


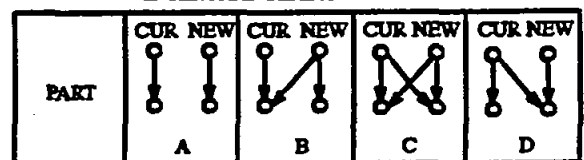
FIGURE 2.00 FRAME ASSEMBLY

ILFOLAB MG2650 Illustrated Parts Catalog

FIGURE 2.00

Item No.	Gin No.	Kreonite Part No.	Description	Qty	Code	Int
1		07-16-504-74	FRAME SIDE-DRIVE	1		
2		07-16-504-73	FRAME SIDE-FILTER	1		
3		07-16-504-55	BRACKET-PUMP RECIRC.	1		
4		07-16-504-25BL	RAIL-PANEL CATCH	2		
5	1755655	07-16-501-39	SUPPORT-TANK FRAME	2		
6	1755664	07-16-501-43	SUPPORT-TANK FRONT	1		
7	1726514	KMS1/4208HS	SCREW-MACH	A/R		
8	1729180	KS-1047B09	WASHER-LOCK	A/R		
9	1721427	KMS1/42012HS	SCREW-MACH	A/R		
10	1721546	KN1/420US	NUT-HEX	A/R		
11	1721490	KMS83212ES	SCREW-MACH	A/R		
12	1721876	KS-1047B06	WASHER-LOCK	A/R		

INTERCHANGEABILITY STATUS



ILFOLAB MG2650 Illustrated Parts Catalog

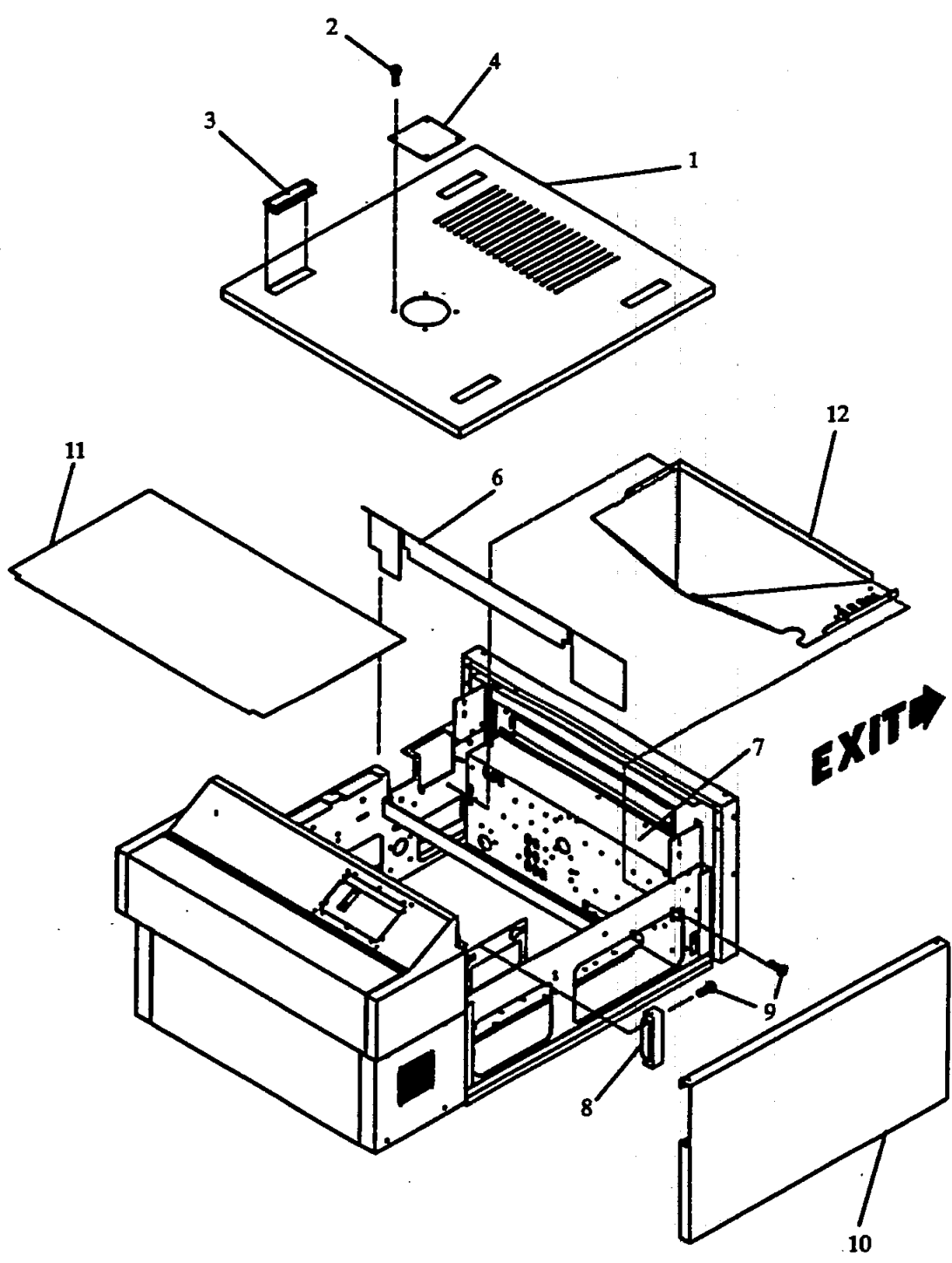


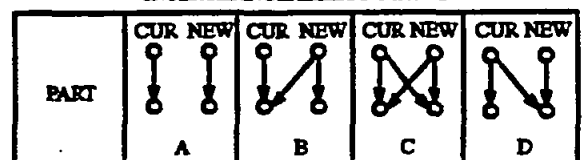
FIGURE 2.10 PANEL ASSEMBLIES AND COMPONENTS

ILFOLAB MG2650 Illustrated Parts Catalog

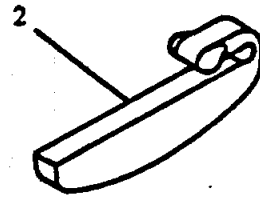
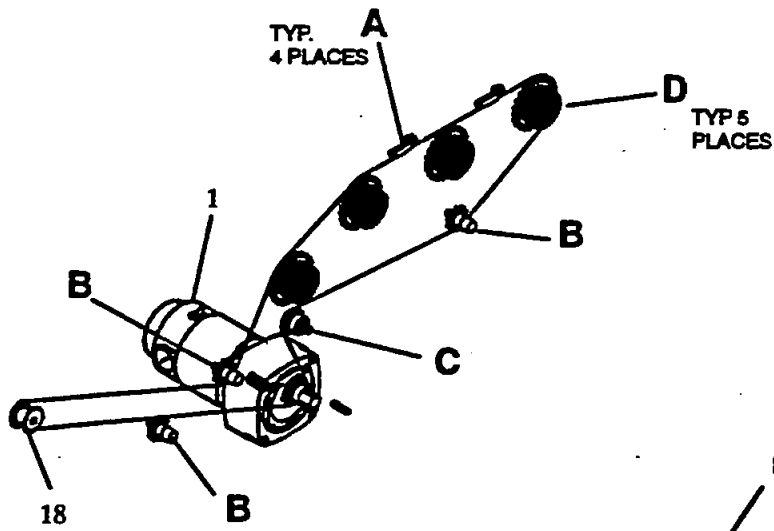
FIGURE 2.10

Item No.	Qtn No.	Kreonite Part No.	Description	Qty	Code	Int
1		07-16-501-353	PANEL ASSY-TOP	1		
2	1726743	KMS6326ES	SCREW-MACH	A/R		
3	1733545	K2-1289-01	HANDLE-SNAP-IN	4		
4		07-16-500-811W	PLATE-VENT ILFORD WHITE	1		
5						
6	1756003	07-45-021-1067	BAFFLE-DRYER	1		
7		07-35-353-1	POWER DIST. PANEL	1		
8	1733480	07-16-500-78	SUPPORT-RUNNER FRONT	2		
9	1721490	KMS83212ES	SCREW-MACH	A/R		
10		07-16-504-50	PANEL ASSY-SIDE 3-TANK	2		
11		07-45-021-1069	BAFFLE-LIGHT	1		
12		07-16-504-66BL	SUMP-IR DRYER	1		

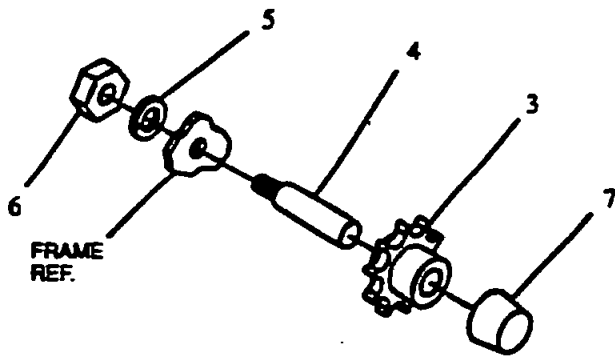
INTERCHANGEABILITY STATUS



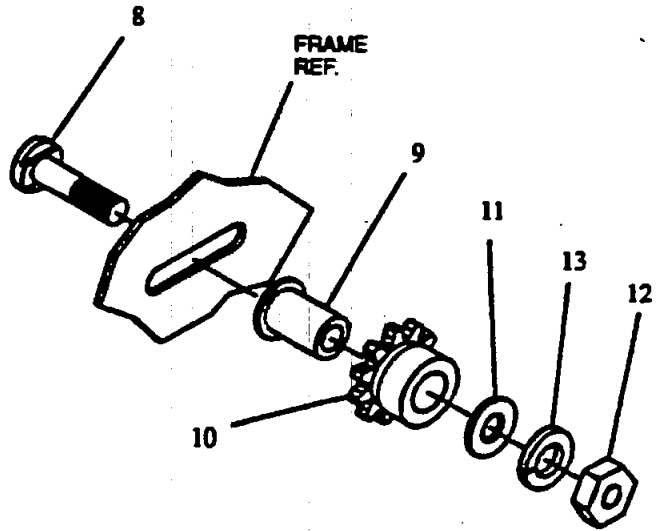
ILFOLAB MG2650 Illustrated Parts Catalog



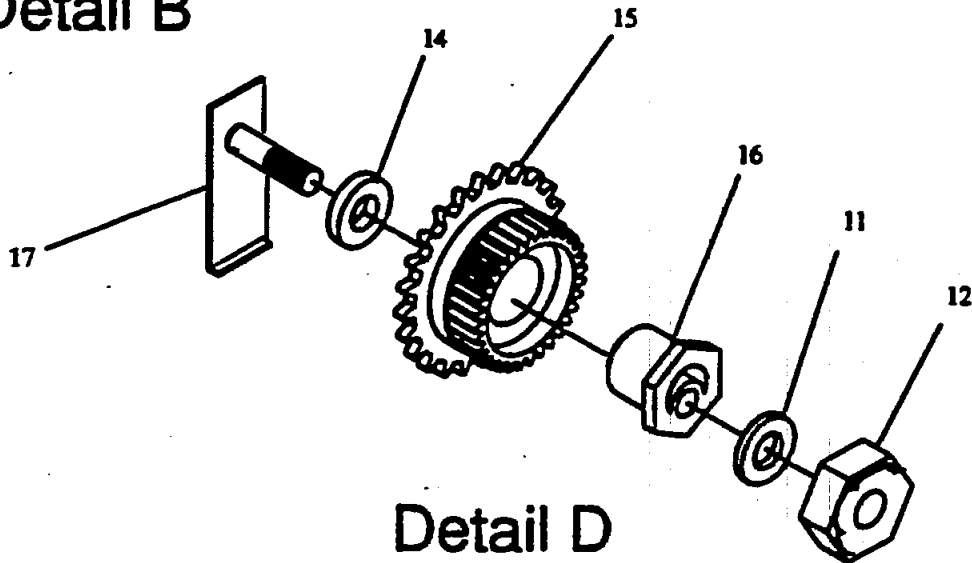
Detail A



Detail B



Detail C



Detail D

FIGURE 3.00 DRIVE SYSTEM

ILFOLAB MG2650 Illustrated Parts Catalog

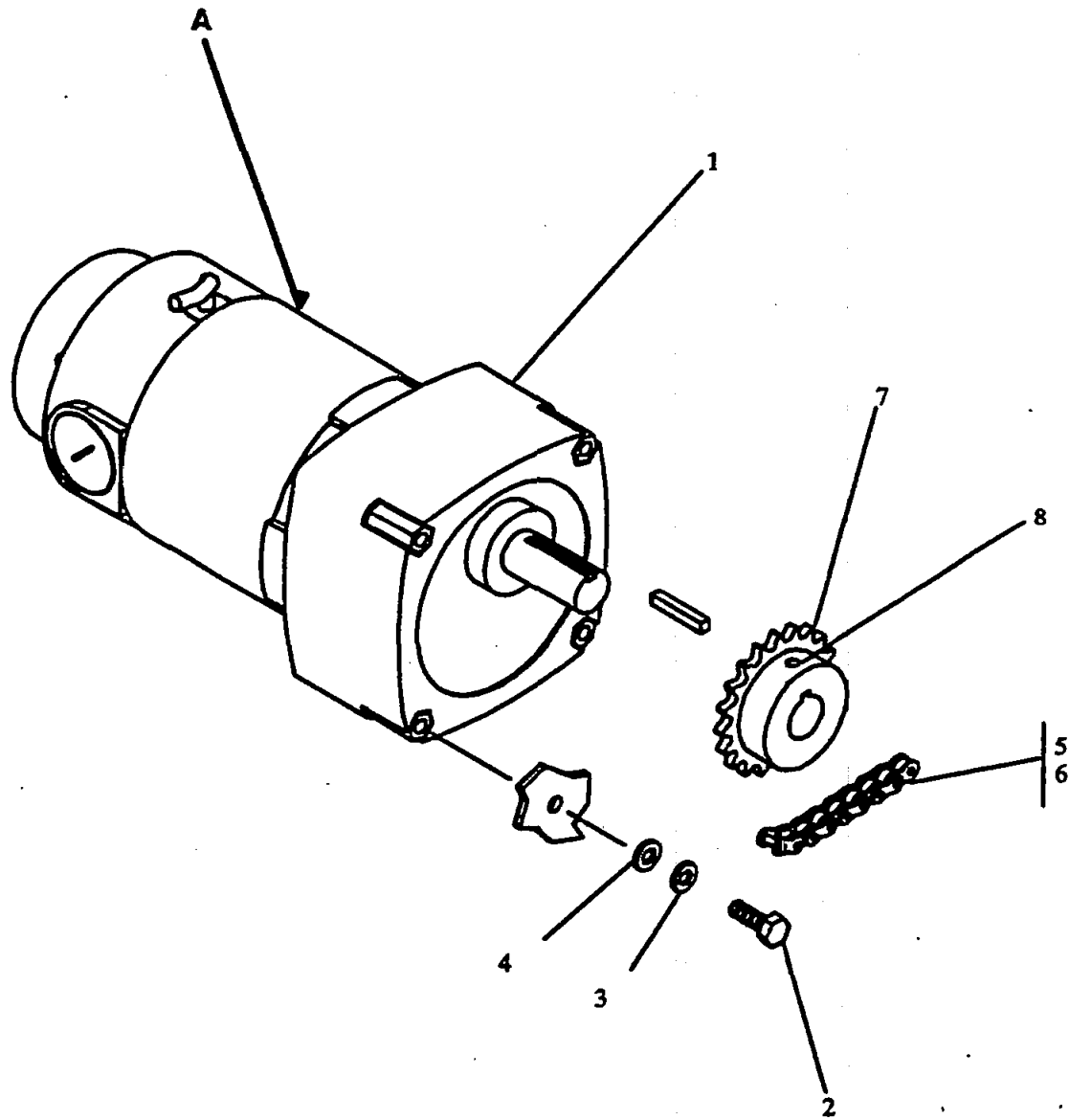


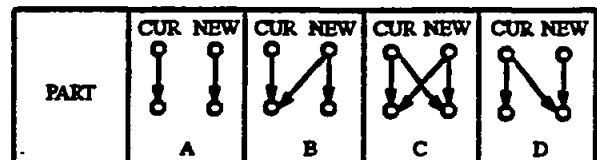
FIGURE 3.10 (1 OF 2) DRIVE MOTOR ASSEMBLY

ILFOLAB MG2650 Illustrated Parts Catalog

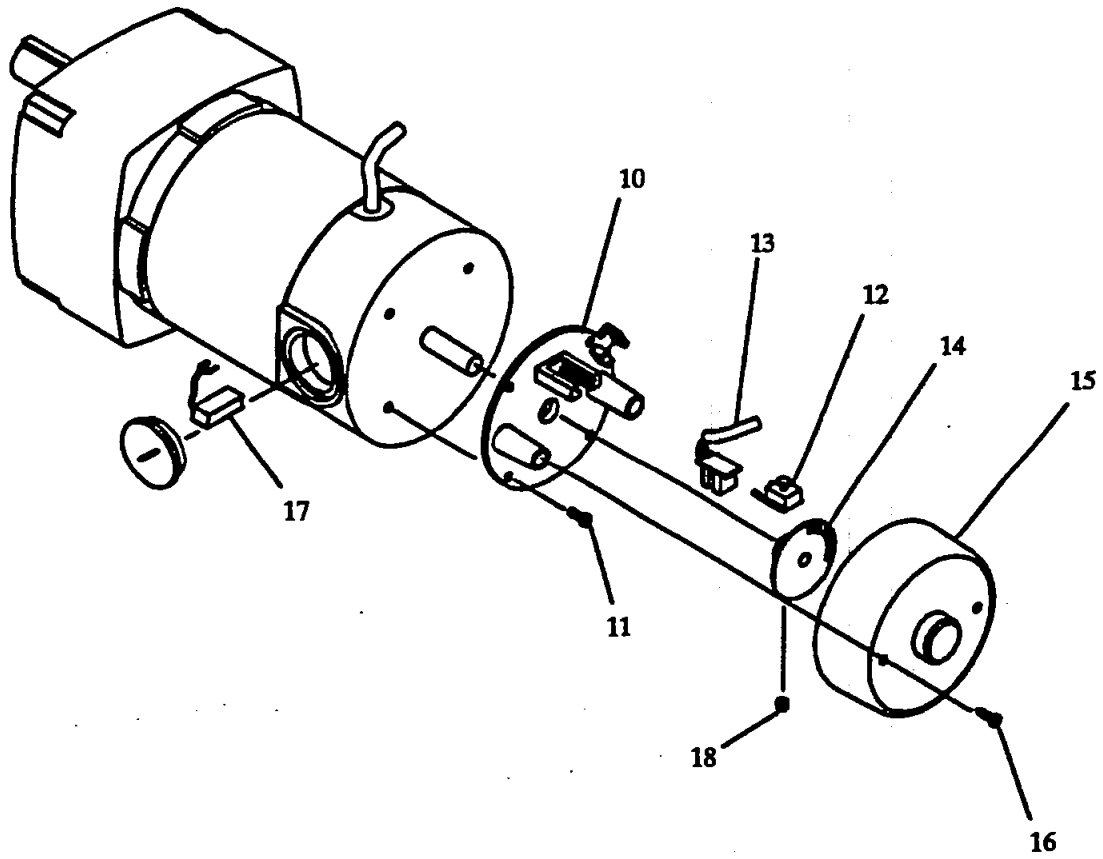
**FIGURE 3.10
(1 OF 2)**

Item No.	Gin No.	Kreonite Part No.	Description	Qty	Code	Int
1	1767746	07-35-188-12	DRIVE MOTOR ASSEMBLY	1		
2	1721445	KMS1/42812HP	SCREW-MACH	4		
3	1729180	K5-1047B09	WASHER-LOCK	4		
4	1729272	K5-1050B07E	WASHER-FLAT	4		
5		16-43-010-19	CHAIN-DRIVE 73.5" LONG	1		
6	1721940	K6-5009P02CL	LINK-MASTER	1		
7	1756177	K5-1061-17	SPROCKET-17 TOOTH	1		
8	1721582	KSS1/4204E2S	SET SCREW	1		

INTERCHANGEABILITY STATUS



ILFOLAB MG2650 Illustrated Parts Catalog



Detail A

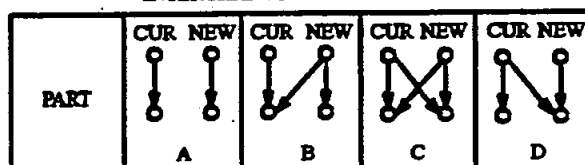
FIGURE 3.10 (2 OF 2) DRIVE MOTOR ASSEMBLY

ILFOLAB MG2650 Illustrated Parts Catalog

**FIGURE 3.10
(2 OF 2)**

Item No.	Gin No.	Kreonite Part No.	Description	Qty	Code	Int
10	1740127	15-43-002-7	HOUSING-SENSOR	1		
11	1726770	KMS6328ES	SCREW-MACH	4		
12	1740118	15-43-002-4	RETAINER-SENSOR	1		
13	1732582	07-35-188-6	CABLE ASSY-TACHOMETER	1		
14	1740145	15-43-002-9	CROWN-COVER	1		
15	1740136	15-43-002-8	COVER-SPEED SENSOR HOUSING	1		
16	1737183	KST6BT12HH	SCREW-SELF TAP	2		
17		K4-1299-12	BRUSH	1		
18	1756076	KSS6322E2C	SET SCREW	1		

INTERCHANGEABILITY STATUS



ILFOLAB MG2650 Illustrated Parts Catalog

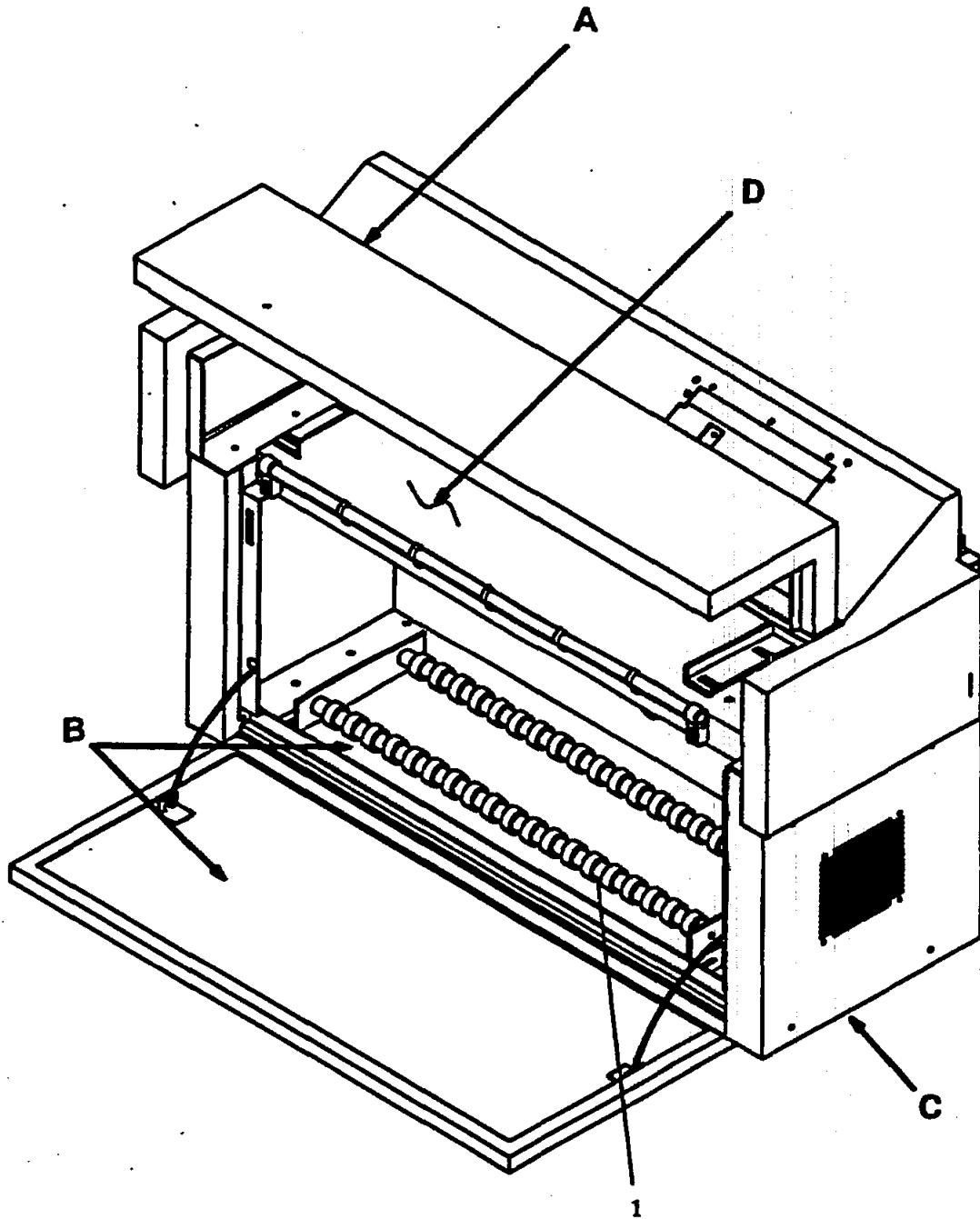


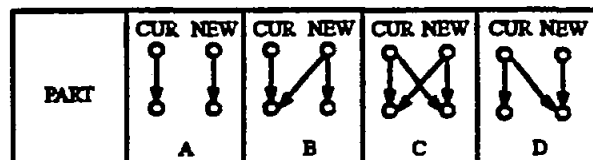
FIGURE 4.00 (1 OF 5) STRUCTURE-FEED MODULE

ILFOLAB MG2650 Illustrated Parts Catalog

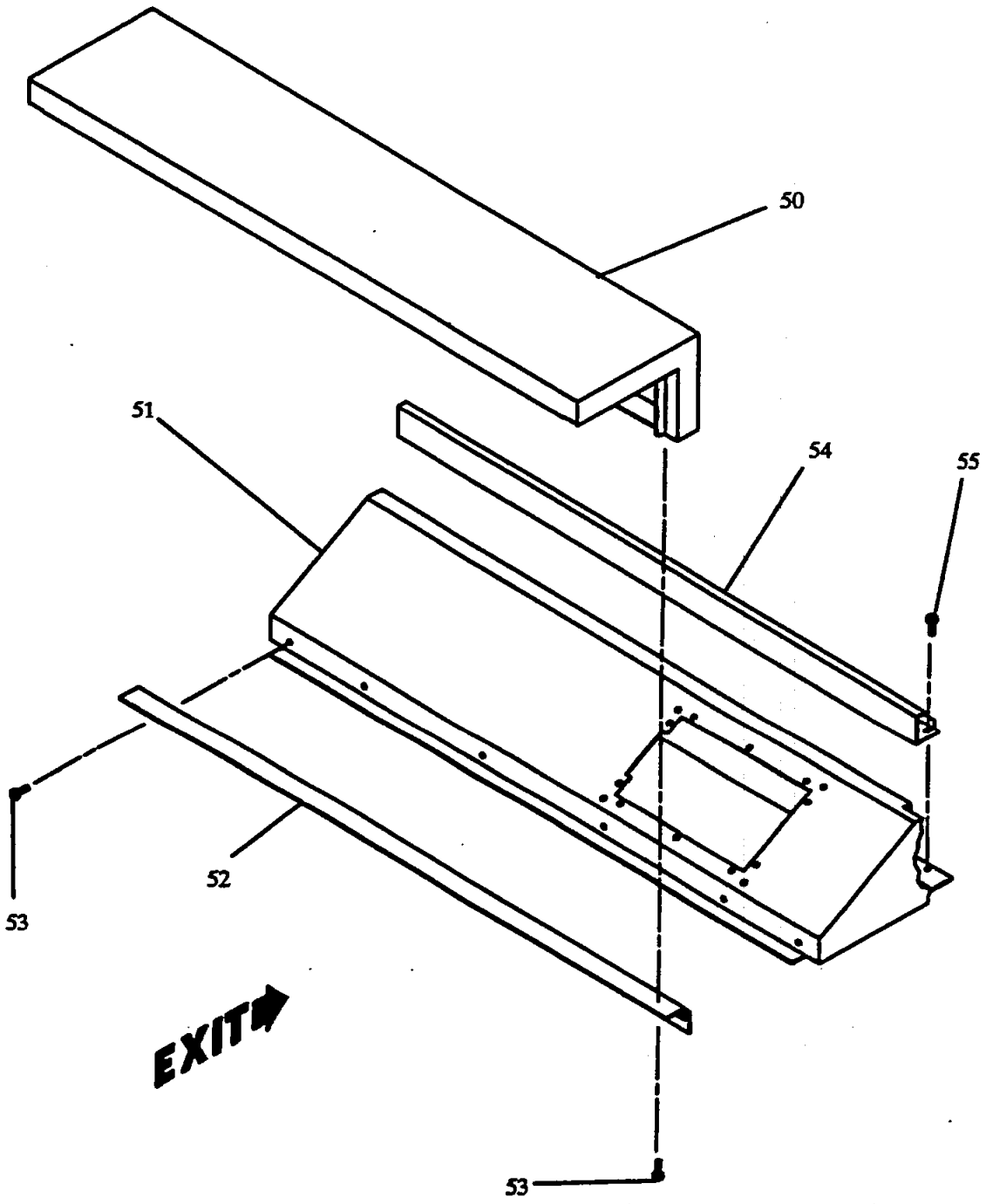
**FIGURE 4.00
(1 OF 5)**

Item No.	Gin No.	Kreonite Part No.	Description	Qty Code Int
1	SEE FIG 4.20		ROLL FEED ASSEMBLY	RF

INTERCHANGEABILITY STATUS



ILFOLAB MG2650 Illustrated Parts Catalog



Detail A

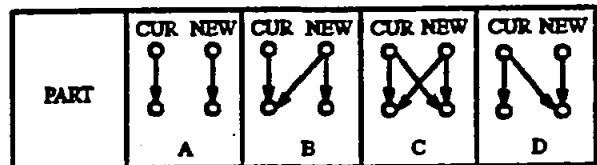
FIGURE 4.00 (2 OF 5) STRUCTURE-FEED MODULE

ILFOLAB MG2650 Illustrated Parts Catalog

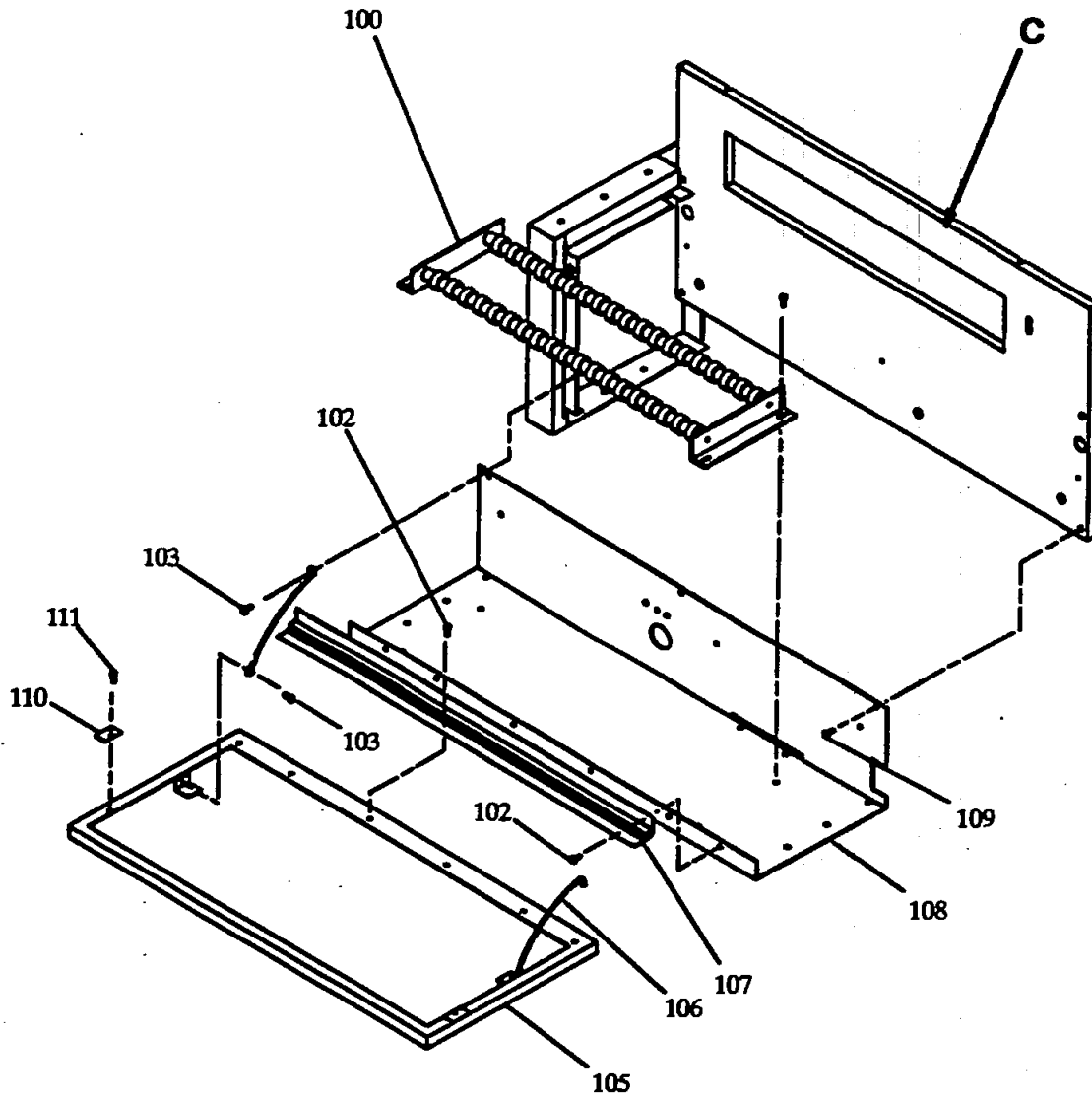
**FIGURE 4.00
(2 OF 5)**

Item No.	Gin No.	Kreonite Part No.	Description	Qty Code Int
50		07-16-504-3BL	DOOR-TOP	1
51		07-16-504-15BL	PANEL-FEED END DISPLAY	1
52	1755673	07-16-501-47	HINGE-UPPER	1
53	1726743	KMS6326ES	SCREW-MACH	A/R
54	1759303	07-16-501-199BL	SEAL-LIGHT TOP	1
55	1721629	KST&AB8GS	SCREW-SELF TAP	A/R

INTERCHANGEABILITY STATUS



ILFOLAB MG2650 Illustrated Parts Catalog



Detail B

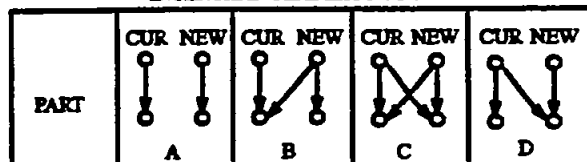
FIGURE 4.00 (3 OF 5) STRUCTURE-FEED MODULE

ILFOLAB MG2650 Illustrated Parts Catalog

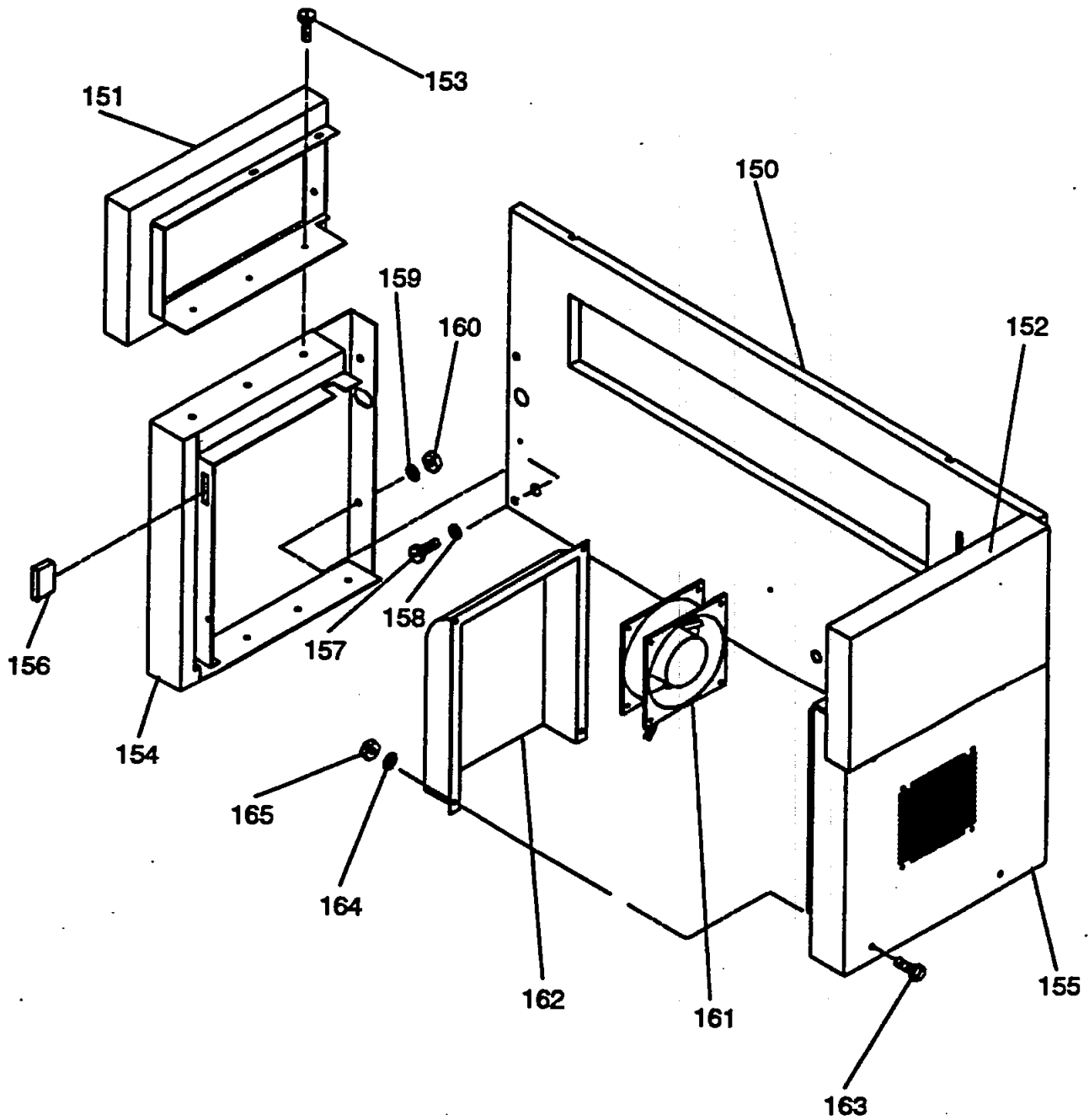
**FIGURE 4.00
(3 OF 5)**

Item No.	Qtn No.	Kreonite Part No.	Description	Qty Code Int
100		07-15-045-53	ROLL FEED ASSEMBLY	RF
102	1726743	KMS6326ES	SCREW-MACH	A/R
103	1721528	KMS8326ES	SCREW-MACH	A/R
105		07-16-504-11FW	DOOR ASSY-LOWER	1
106	1729364	K6-4230-01	CABLE ASSY-LOWER DOOR	2
107	1767654	07-16-501-48	HINGE-LOWER	1
108		07-16-501-355BL	FLOOR-FEED END	1
109	1721629	KST8AB8GS	SCREW-SELF TAP	A/R
110	1756195	K5-2026-13	STRIKE	2
111	1737165	KMS6324BU	SCREW-MACH	2

INTERCHANGEABILITY STATUS



ILFOLAB MG2650 Illustrated Parts Catalog



Detail C

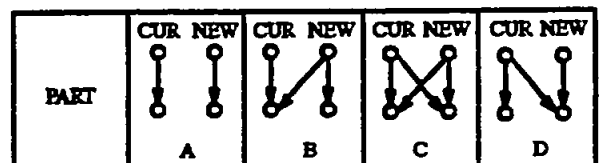
FIGURE 4.00 (4 OF 5) STRUCTURE-FEED MODULE

ILFOLAB MG2650 Illustrated Parts Catalog

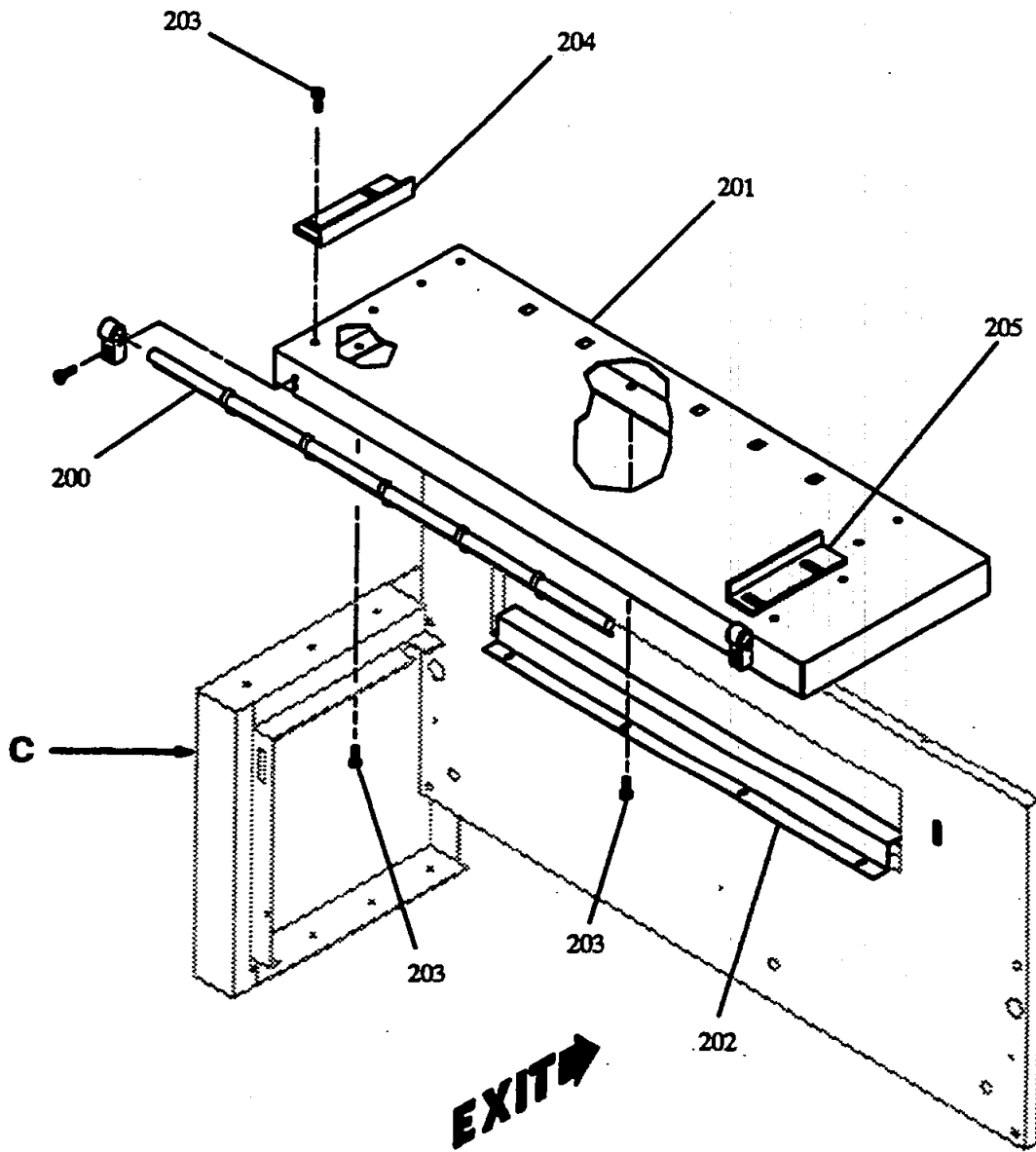
**FIGURE 4.00
(4 OF 5)**

Item No.	Gin No.	Kreonite Part No.	Description	Qty	Code	Int
150		07-16-504-17	PANEL-FRONT	1		
151	1756250	07-16-501-21BL	PANEL-CLOSE OUT TOP DRIVE SIDE	1		
152	1756269	07-16-501-22BL	PANEL-CLOSE OUT TOP FILTER SIDE	1		
153	1721528	KMS8326ES	SCREW-MACH	A/R		
154		07-16-504-11W	FEED BOX-SIDE DRIVE SIDE	1		
155		07-16-504-59TW	FEED BOX-SIDE FILTER SIDE	1		
156	1729319	K5-2026-09	MAGNET-CATCH	2		
157	1721418	KB1/42024LB	BOLT-MACH	4		
158	1729272	K5-1050B07E	WASHER-FLAT	4		
159	1729180	K5-1047B09	WASHER-LOCK	4		
160	1721546	KN1/420US	NUT-HEX	4		
161		K4-1119-58	FAN-AXIAL	1		
162	1767908	07-43-034-1	COVER-FAN	1		
163	1721537	KMS8328ES	SCREW-MACH	4		
164	1721876	K5-1047B06	WASHER-LOCK	4		
165	1721573	KN832US	NUT-HEX	4		

INTERCHANGEABILITY STATUS



ILFOLAB MG2650 Illustrated Parts Catalog



Detail D

FIGURE 4.00 (5 OF 5) STRUCTURE-FEED MODULE

ILFOLAB MG2650 Illustrated Parts Catalog

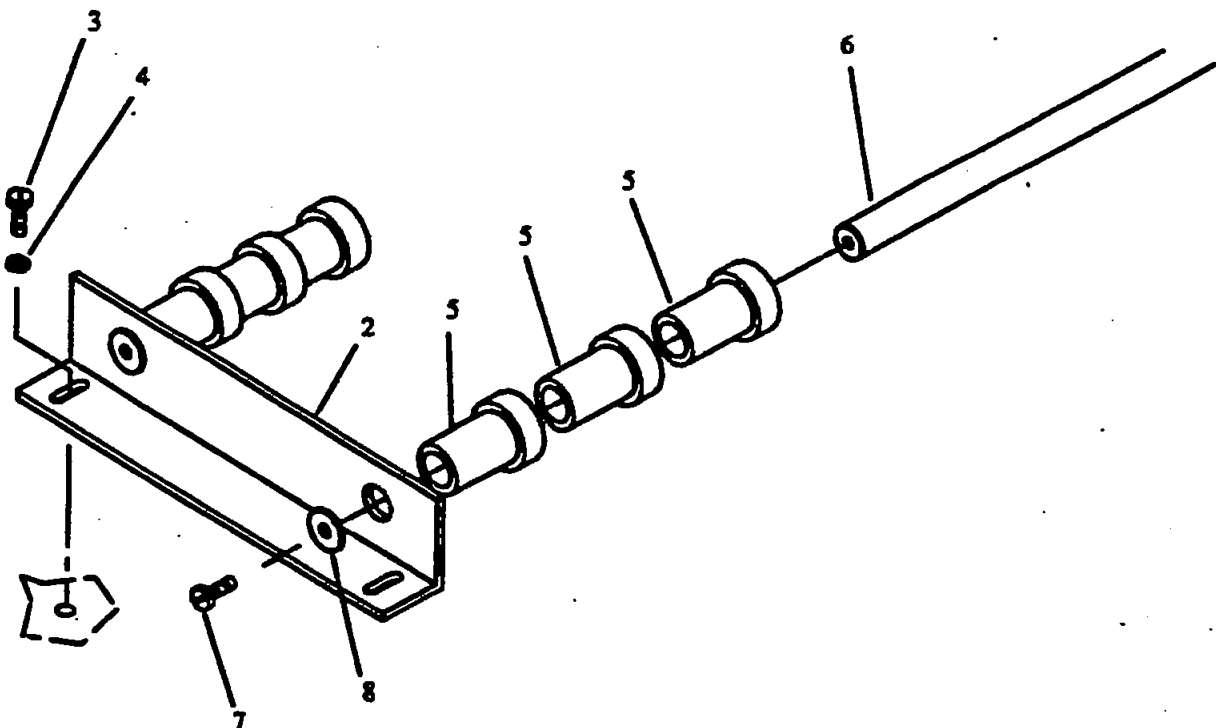
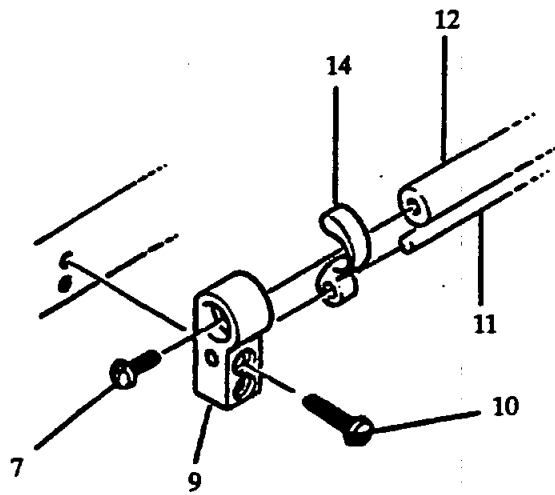


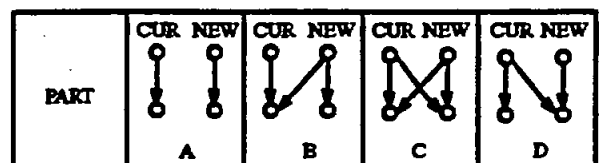
FIGURE 4.20 ROLL FEED ASSEMBLY

ILFOLAB MG2650 Illustrated Parts Catalog

FIGURE 4.20

Item No.	Gin No.	Kreonite Part No.	Description	Qty	Code	Int
-1	1766765	07-15-045-59	ROLLER ASSEMBLY	1		
2	1767580	07-15-045-51	BRACKET ASSY-END	2		
3	1721537	KMS8328ES	SCREW-MACH	A/R		
4	1721906	K5-1050B05E	WASHER-FLAT	A/R		
5	1731859	07-15-013-26	ROLLER	40		
6		02-45-013-141	ROD ASSY-SPACER	2		
7	1726615	KMS10328ES	SCREW-MACH	4		
8	1722114	02-43-066-4	WASHER-FLAT	4		
9	1730997	07-15-013-18	BRACKET-END	2		
10	1726798	KMS83210ES	SCREW-MACH	4		
11	1731868	07-15-013-43	ROD-PAPER GUIDE SUPPORT	1		
12	1729713	02-45-013-72	ROD ASSY-SPACER	1		
14	1731006	07-15-013-19	GUIDE	A/R		
-15	1727375	07-45-068-19	GUIDE-PAPER	1		

INTERCHANGEABILITY STATUS



ILFOLAB MG2650 Illustrated Parts Catalog

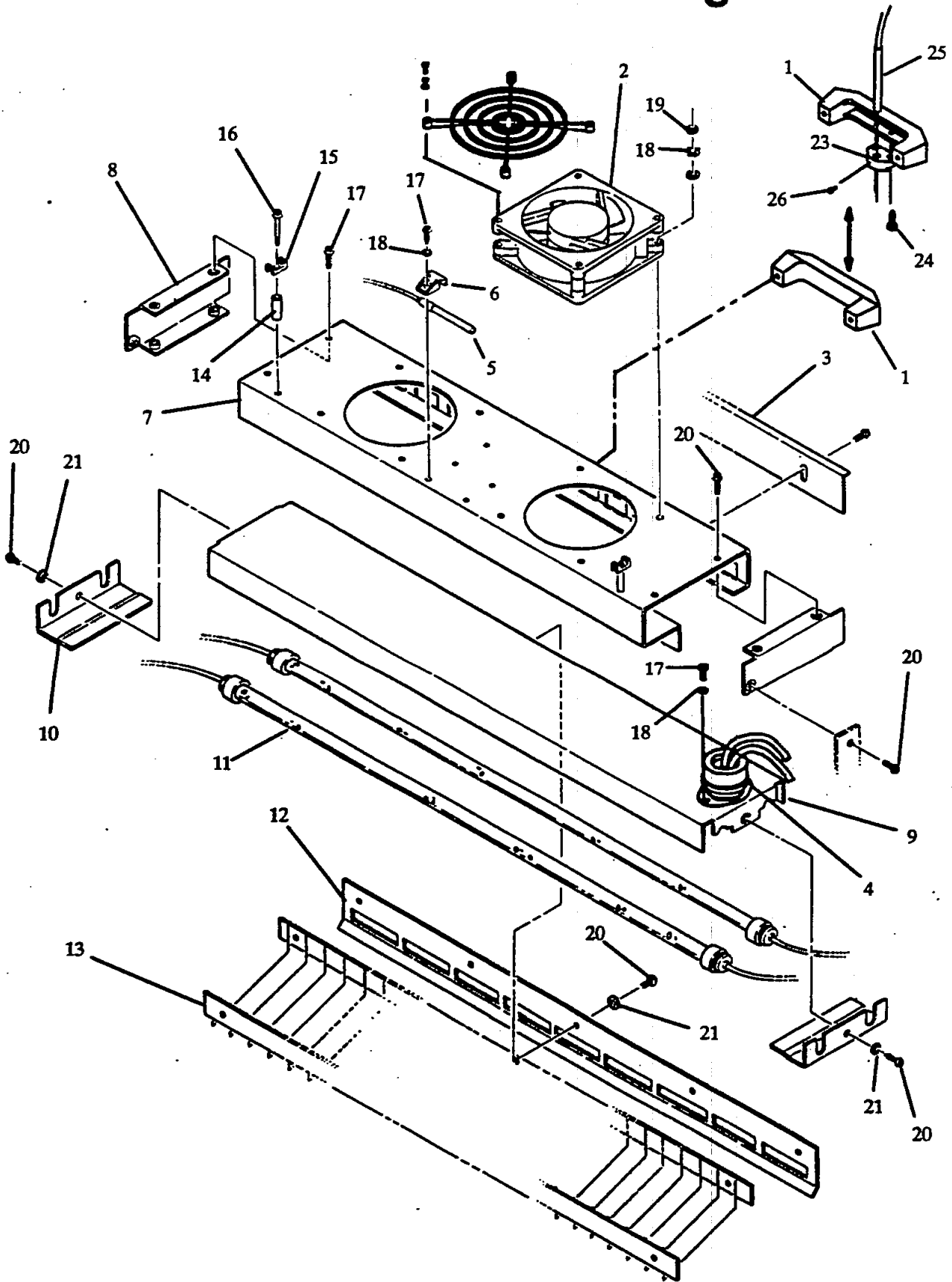


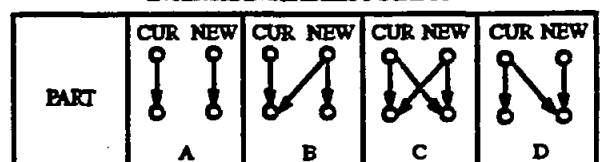
FIGURE 5.00 HEATER ASSEMBLY-DRYER UPPER

ILFOLAB MG2650 Illustrated Parts Catalog

FIGURE 5.00

Item No.	Gtn No.	Kreonite Part No.	Description	Qty	Code	Int
1		07-43-131-2	HANDLE-DTL	1		
2		07-35-347-2	FAN-AXAIL-12VDC	1		
3	1755307	07-43-127-115	DEFLECTOR	1		
4	1755077	07-35-309-28	SWITCH ASSY-TEMP LIMIT	2		
5	1751493	07-35-294-24	PROBE ASSY	2		
6	1736285	K2-1096-02	CLAMP-NYGRIP HALF	1		
7	1755196	07-43-127-103	BAFFLE-FAN	2		
8	1755206	07-43-127-104	BRACKET-FAN BAFFLE	1		
9		07-43-127-195	REFLECTOR-TOP	1		
10	1755233	07-43-127-107	MOUNT PLATE-IR HEATER	2		
11	1755095	07-35-310-14	INFRARED-HEATER ASSY	1		
12	1755215	07-43-127-105	DEFLECTOR-TOP HEATER	1		
13	1755316	07-43-127-116	GUIDE ASSY-UPPER WIRE	1		
14	1729117	K4-1362-93	SPACER-BRASS #6	2		
15	1729153	K4-1438-02	MOUNT-TIE CABLE	2		
16	1726688	KMS63212ES	SCREW-MACH	A/R		
17	1736258	KMS6324ES	SCREW-MACH	A/R		
18	1721867	K5-1047B05	WASHER-LOCK	A/R		
19	1721564	KN632US	NUT-HEX	A/R		
20	1721537	KMS8328ES	SCREW-MACH	A/R		
21	1721876	K5-1047B06	WASHER-LOCK	A/R		
23		07-43-131-3	HOLDER ASSY-PROBE	1		
24	1721609	KST&AB10GS	SCREW-SELF TAP	2		
25		07-35-294-40	PROBE ASSY	1		
26	1721591	KSS10243C2P	SET-SCREW	1		

INTERCHANGEABILITY STATUS



ILFOLAB MG2650 Illustrated Parts Catalog

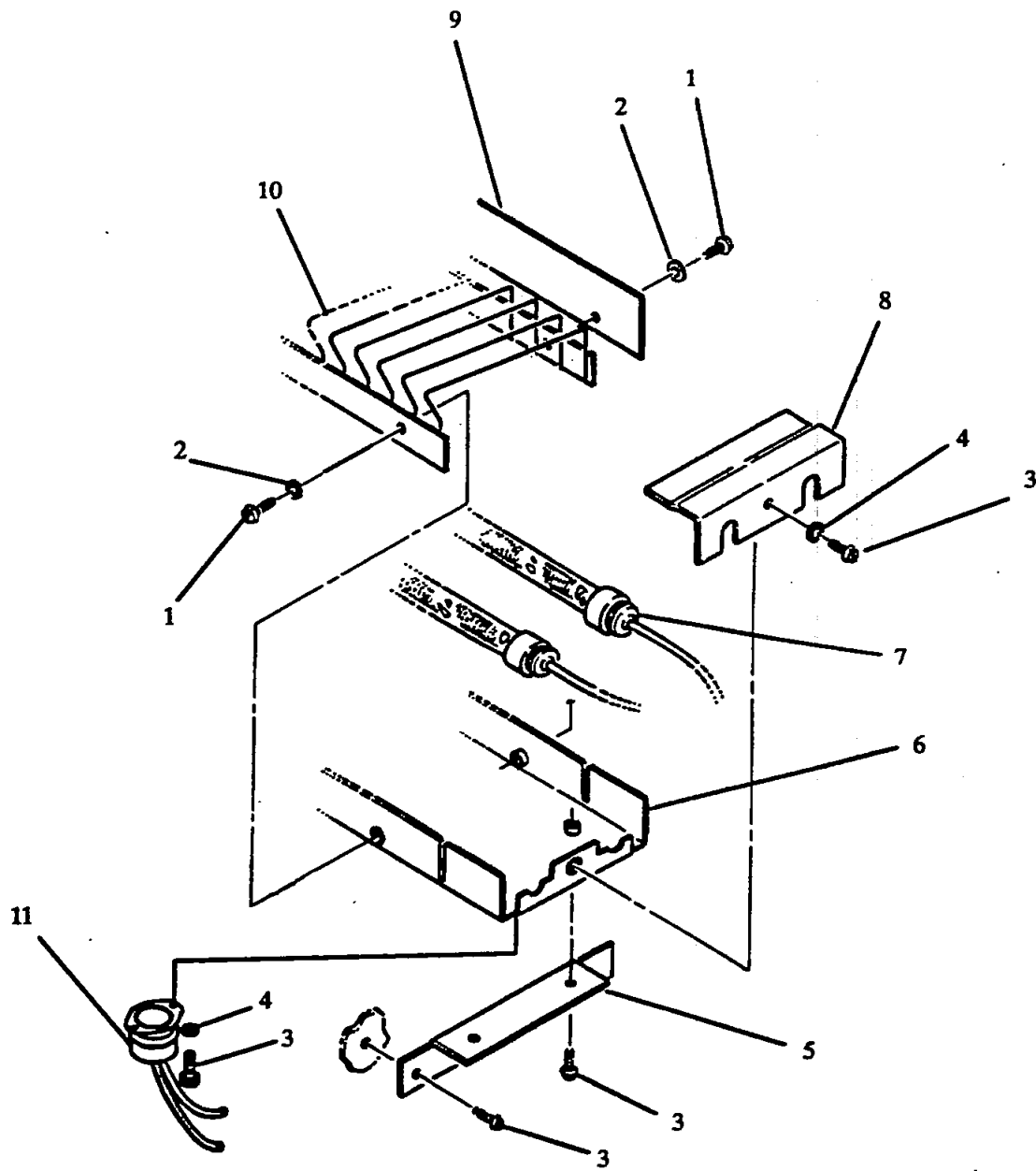


FIGURE 5.05 HEATER ASSEMBLY-DRYER LOWER

ILFOLAB MG2650 Illustrated Parts Catalog

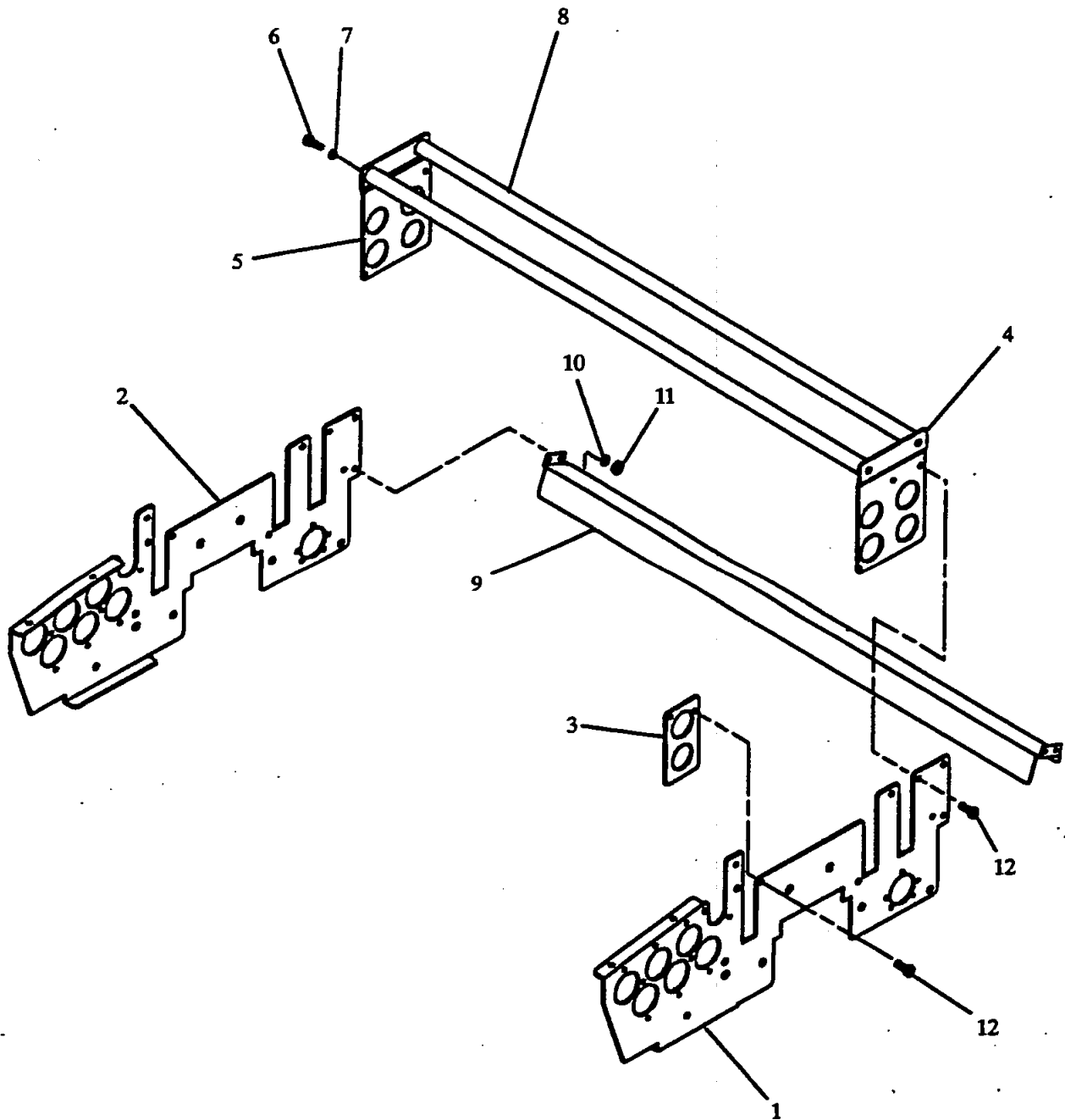


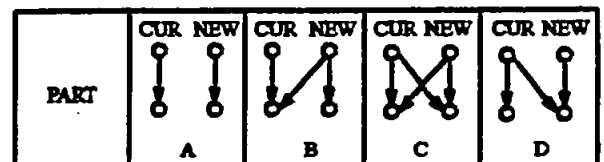
FIGURE 5.10 STRUCTURE ASSEMBLY-DRYER TRANSPORT

ILFOLAB MG2650 Illustrated Parts Catalog

FIGURE 5.10

Item No.	Gln No.	Kreonite Part No.	Description	Qty	Code	Int
1		07-43-127-132	ENDPLATE-DRYER DRIVE SIDE	1		
2		07-43-127-133	ENDPLATE-DRYER FILTER SIDE	1		
3	1755279	07-43-127-111	PLATE-RETAINER EXIT ROLLER	2		
4	1755260	07-43-127-110	PLATE-RETAINER ENT. ROLLER DRIVE SIDE	1		
5	1755251	07-43-127-109	PLATE-RETAINER ENT. ROLLER FILTER SIDE	1		
6	1726615	KMS10328ES	SCREW-MACH	4		
7	1721885	K5-1047B07	WASHER-LOCK	4		
8	1729520	02-45-013-15	ROD ASSY-SPACER	4		
9		07-43-127-194	SQUEEGEE BAR ASSEMBLY	1		
10	1721876	K5-1047B06	WASHER-LOCK	A/R		
11	1721564	KN632US	NUT-HEX	A/R		
12	1726817	KMS8324ES	SCREW-MACH	A/R		
-13		K6-1112A01	POLYESTER-LAYOUT BASE			

INTERCHANGEABILITY STATUS



ILFOLAB MG2650 Illustrated Parts Catalog

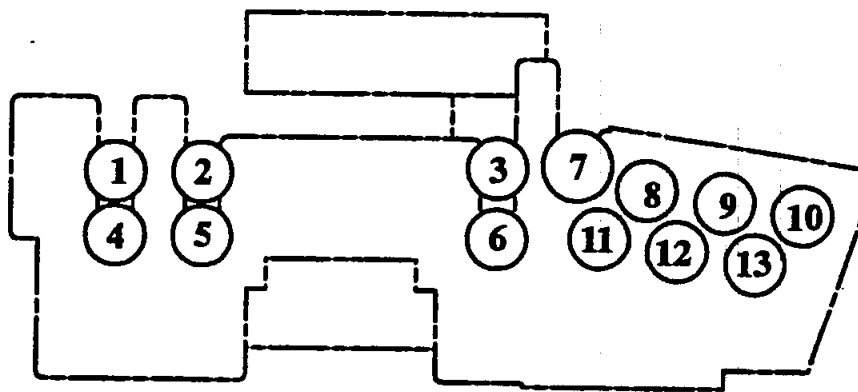


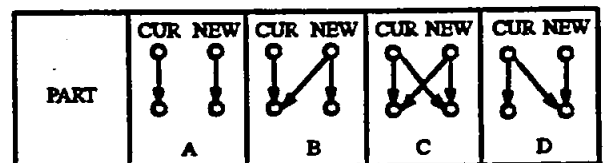
FIGURE 5.80 TRANSPORT ASSEMBLY-INFRARED DRYER

ILFOLAB MG2650 Illustrated Parts Catalog

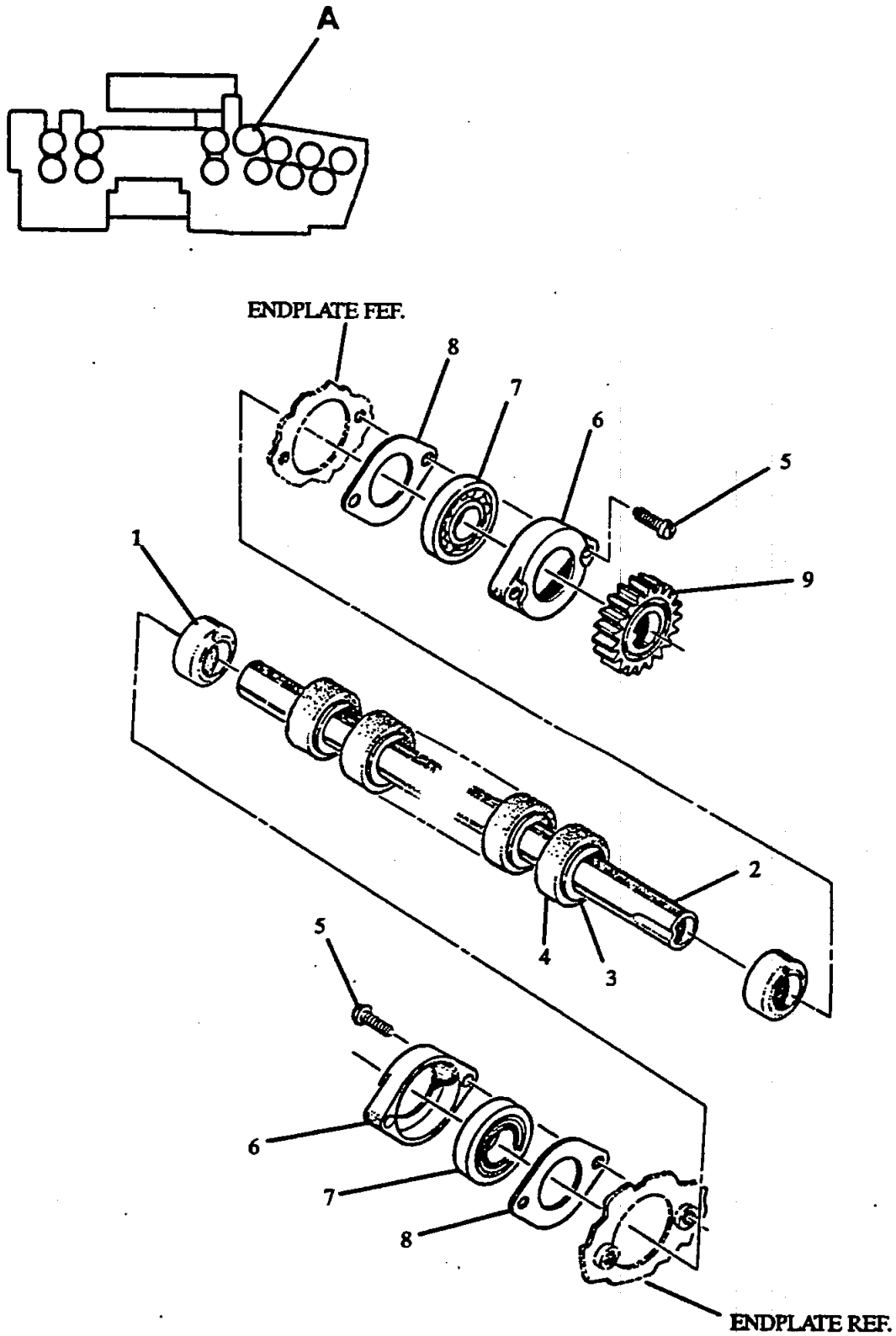
FIGURE 5.80

Item No.	Gin No.	Kreonite Part No.	Description	Qty Code 1
-0		07-46-128-112	TRANSPORT-DRYER INFRARED	1
1	1755426	07-45-133-25	ROLLER-RUBBER 1.25" DIA.	RF
2	1755417	07-45-133-24	ROLLER-RUBBER 1.25" DIA.	RF
3	1755426	07-45-133-25	ROLLER-RUBBER 1.25" DIA.	RF
4	1755417	07-45-133-24	ROLLER-RUBBER 1.25" DIA.	RF
5	1755417	07-45-133-24	ROLLER-RUBBER 1.25" DIA.	RF
6	1760082	07-45-133-23T	ROLLER-RUBBER 1.25" DIA.	RF
7	1755352	07-45-010-1880	SHAFT ASSY-SEGMENTED FOAM ROLLER 1.25"	RF
8	1755370	07-45-010-1904	SHAFT ASSY-SEGMENTED FOAM ROLLER 1"	RF
9	1755370	07-45-010-1904	SHAFT ASSY-SEGMENTED FOAM ROLLER 1"	RF
10	1726275	07-45-010-533	SHAFT ASSY-1" DIA. S.S.	RF
11	1755361	07-45-010-1885	SHAFT ASSY-SEGMENTED FOAM ROLLER 1"	RF
12	1755361	07-45-010-1885	SHAFT ASSY-SEGMENTED FOAM ROLLER 1"	RF
13	1755370	07-45-010-1904	SHAFT ASSY-SEGMENTED FOAM ROLLER 1"	RF

INTERCHANGEABILITY STATUS



ILFOLAB MG2650 Illustrated Parts Catalog



Detail A

FIGURE 5.81 ROLLER ASSEMBLY-DRYER

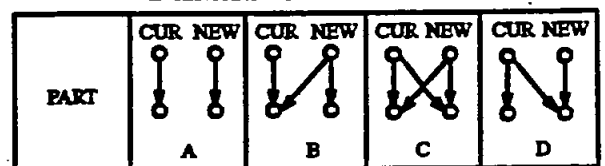
ILFOLAB MG2650 Illustrated Parts Catalog

FIGURE 5.81

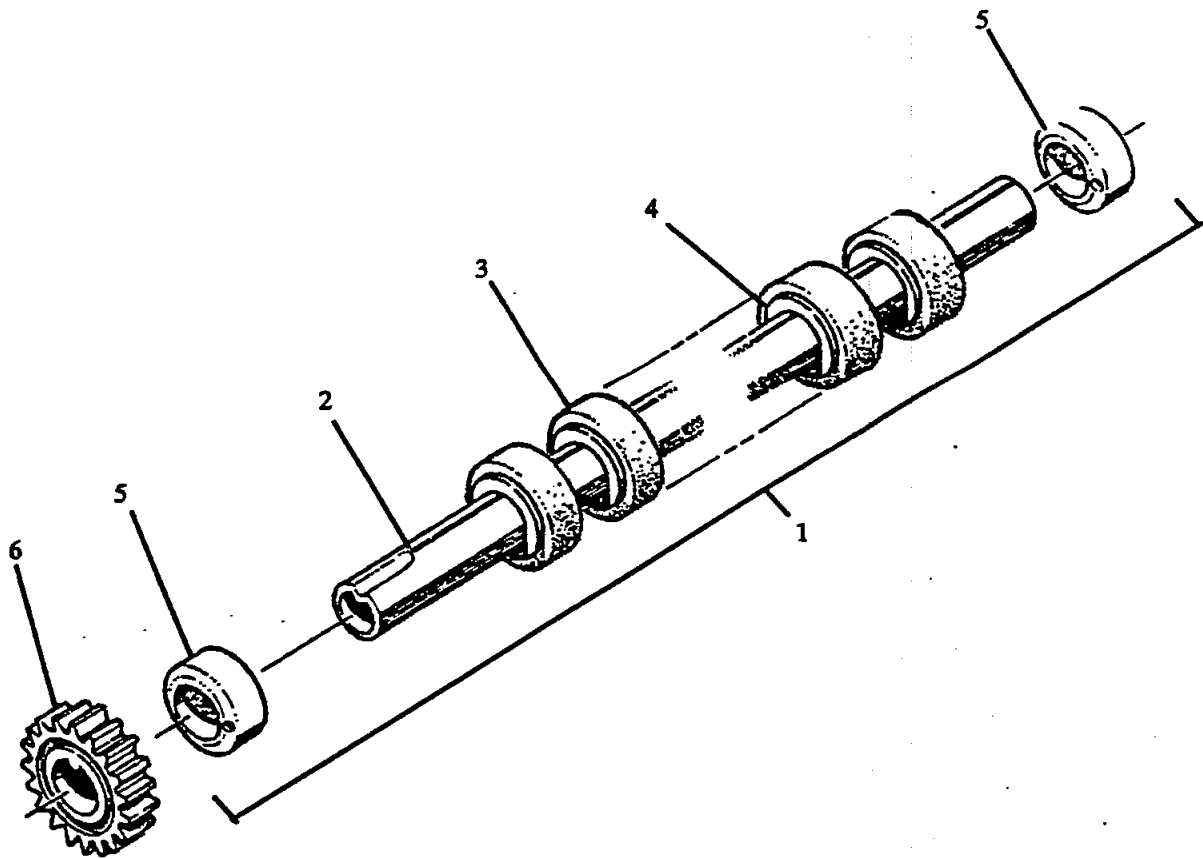
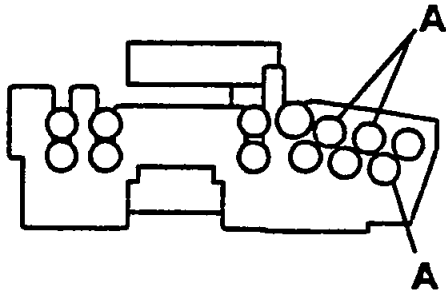
Item No.	Gin No.	Kreonite Part No.	Description	Qty	Code	Int
-0	1755325	07-45-010-1880	SHAFT ASSY- 1-1/4" ROLLER (SEE NOTE 1)	1		
1	1729401	02-43-034-2	SPACER-GUIDE END	2		
2		02-43-072-151	SHAFT	1		
3	1755123	07-43-056-8S	HUB-SANTOPRENE	20		
4	1736368	K5-2052-01	WHEEL-FOAM	20		
5	1721528	KMS8326ES	SCREW-MACH	4		
6	1722907	17-43-015-13	RETAINER-BEARING	2		
7	1715743	K5-4070-03	BEARING	2		
8	1740163	17-43-015-18	PLATE-BEARING RETAINER	2		
9	1767939	07-43-128-6	GEAR-30 TOOTH	1		

**NOTE 1: SHAFT ASSEMBLY CONSISTS OF
ITEM NUMBERS 1 THRU 4.**

INTERCHANGEABILITY STATUS



ILFOLAB MG2650 Illustrated Parts Catalog



Detail A

FIGURE 5.82 ROLLER ASSEMBLY-DRYER

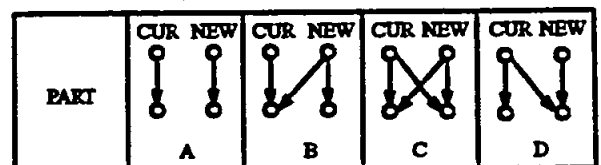
ILFOLAB MG2650 Illustrated Parts Catalog

FIGURE 5.82

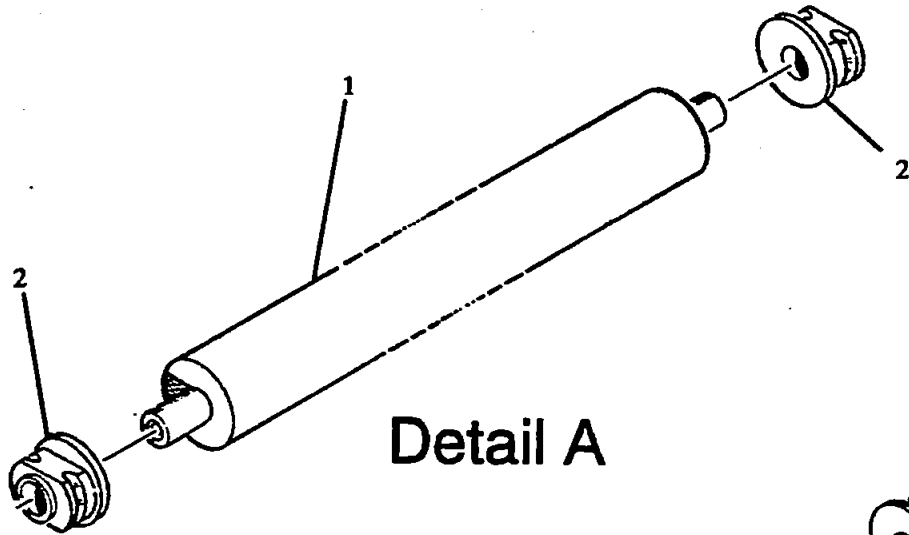
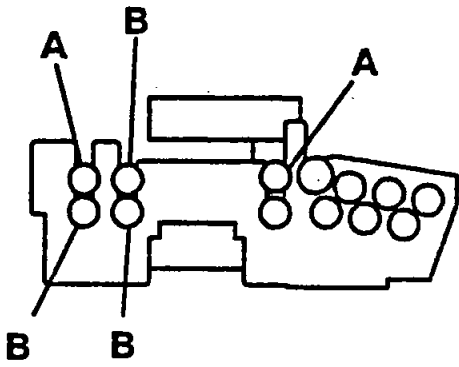
Item No.	Gln No.	Kreonite Part No.	Description	Qty. Code Int
1	1755370	07-45-010-1904	SHAFT ASSY-DRYER (SEE NOTE 1)	A/R
2	1737349	02-43-072-151	SHAFT	1
3	1736377	K5-2052-02	WHEEL-FOAM	A/R
4	1755123	07-43-056-8S	HUB-WHEEL	A/R
5	1729401	02-43-034-2	SPACER-GUIDE END	2
6	1767939	07-43-128-5	GEAR- 24 TOOTH	1

NOTE 1: SHAFT ASSEMBLY CONSISTS OF ITEM NUMBERS 2 THRU 5.

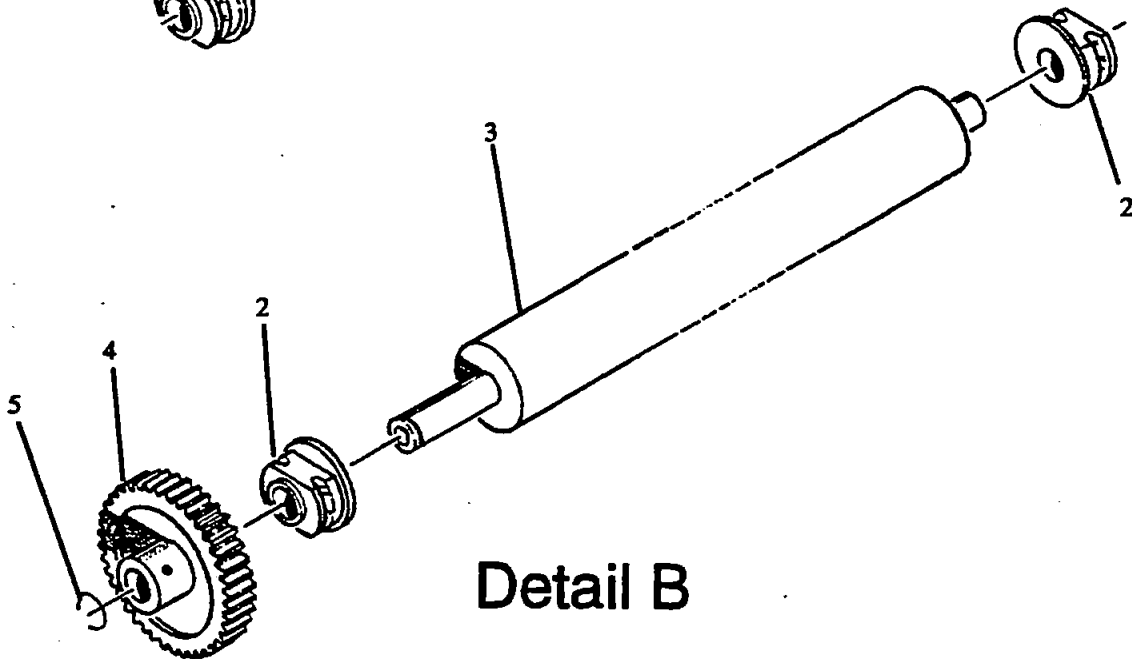
INTERCHANGEABILITY STATUS



ILFOLAB MG2650 Illustrated Parts Catalog



Detail A



Detail B

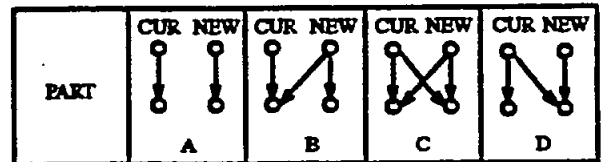
FIGURE 5.83 ROLLER ASSEMBLY-DRYER

ILFOLAB MG2650 Illustrated Parts Catalog

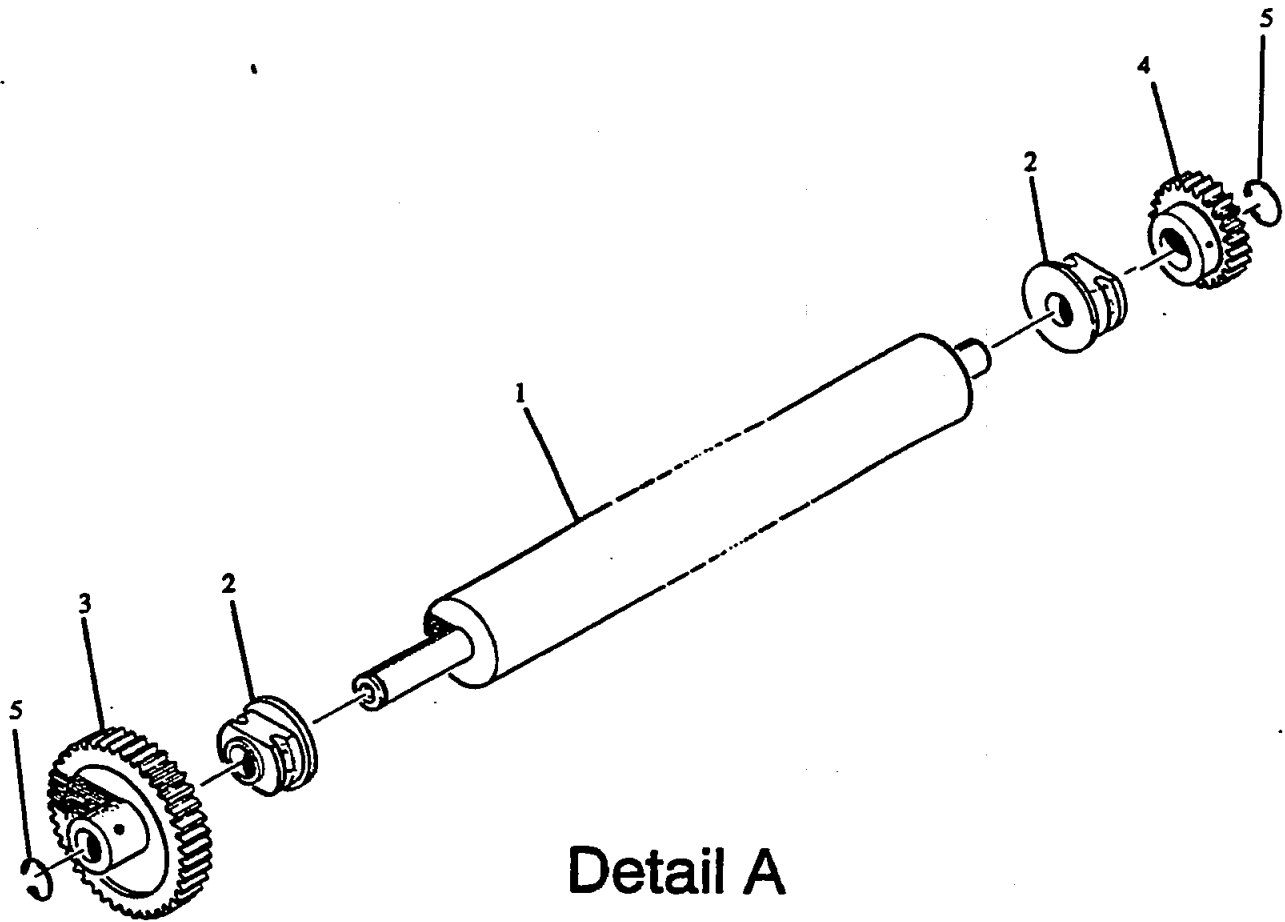
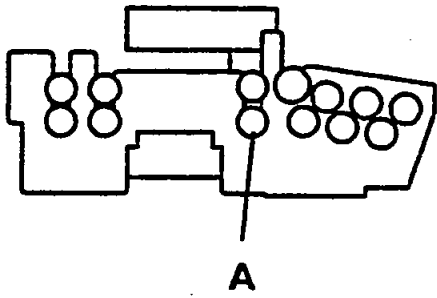
FIGURE 5.83

Item No.	Gin No.	Kreonite Part No.	Description	Qty Code Int
1	1755426	07-45-133-25	ROLLER ASSY-RUBBER	2
2	1755288	07-43-127-112	BEARING-SPRING	A/R
3	1755417	07-45-133-24	ROLLER ASSY-RUBBER	3
4	1755334	07-43-128-4	GEAR-40 TOOTH	1
5	1729300	K5-1975-37	SNAP RING	1

INTERCHANGEABILITY STATUS



ILFOLAB MG2650 Illustrated Parts Catalog



Detail A

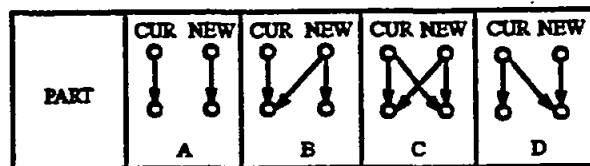
FIGURE 5.84 ROLLER ASSEMBLY-DRYER

ILFOLAB MG2650 Illustrated Parts Catalog

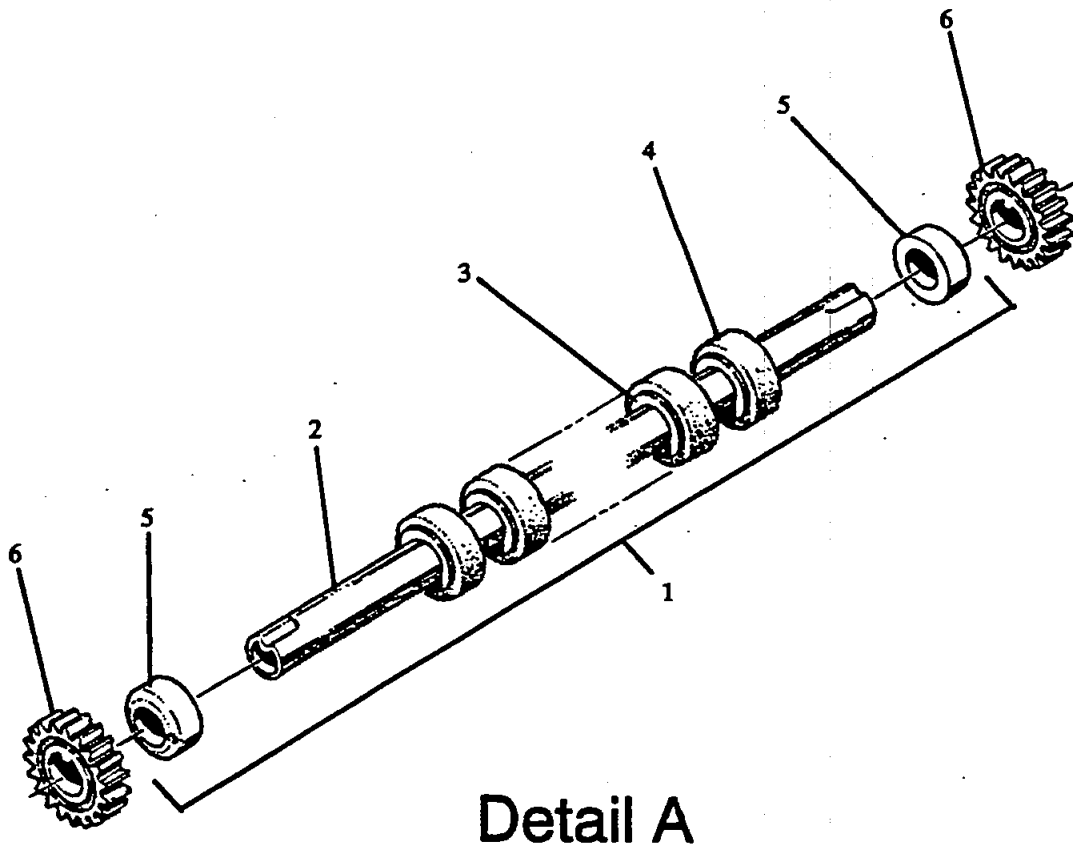
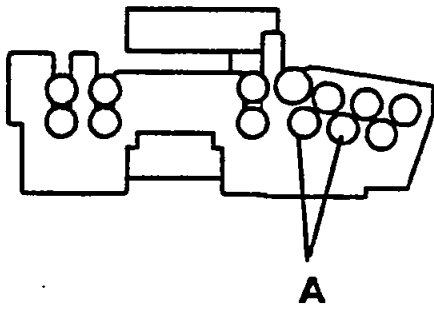
FIGURE 5.84

Item No.	Gln No.	Kreonite Part No.	Description	Qty	Code	Int
1	1760082	07-45-133-23T	ROLLER ASSY-RUBBER	1		
2	1755288	07-43-127-112	BEARING-SPRING	2		
3	1755334	07-43-128-4	GEAR-40 TOOTH	1		
4	1739594	07-43-128-7	GEAR-30 TOOTH	2		
5	1729300	K5-1975-37	SNAP RING	2		

INTERCHANGEABILITY STATUS



ILFOLAB MG2650 Illustrated Parts Catalog



Detail A

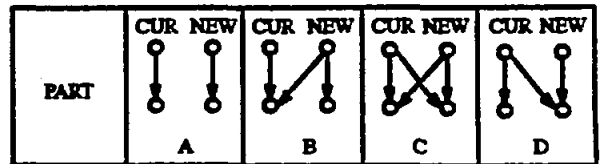
FIGURE 5.85 ROLLER ASSEMBLY-DRYER

ILFOLAB MG2650 Illustrated Parts Catalog

FIGURE 5.85

Item No.	Gin No.	Kreonite Part No.	Description	Qty Code Int
1	1755361	07-45-010-1885	SHAFT ASSY-SEG 1.00" FOAM ROLLER	1
2		02-43-072-172	SHAFT ASSY	1
3	1755123	07-43-056-8S	HUB	A/R
4	1736377	K5-2052-02	WHEEL-FOAM	A/R
5	1729401	02-43-034-2	COLLAR-SPACER	2
6	1767939	07-43-128-5	GEAR-24 TOOTH	2

INTERCHANGEABILITY STATUS

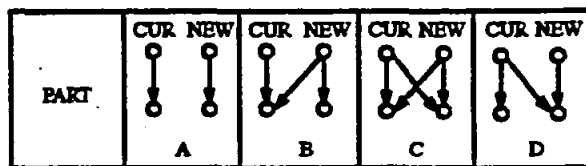


ILFOLAB MG2650 Illustrated Parts Catalog

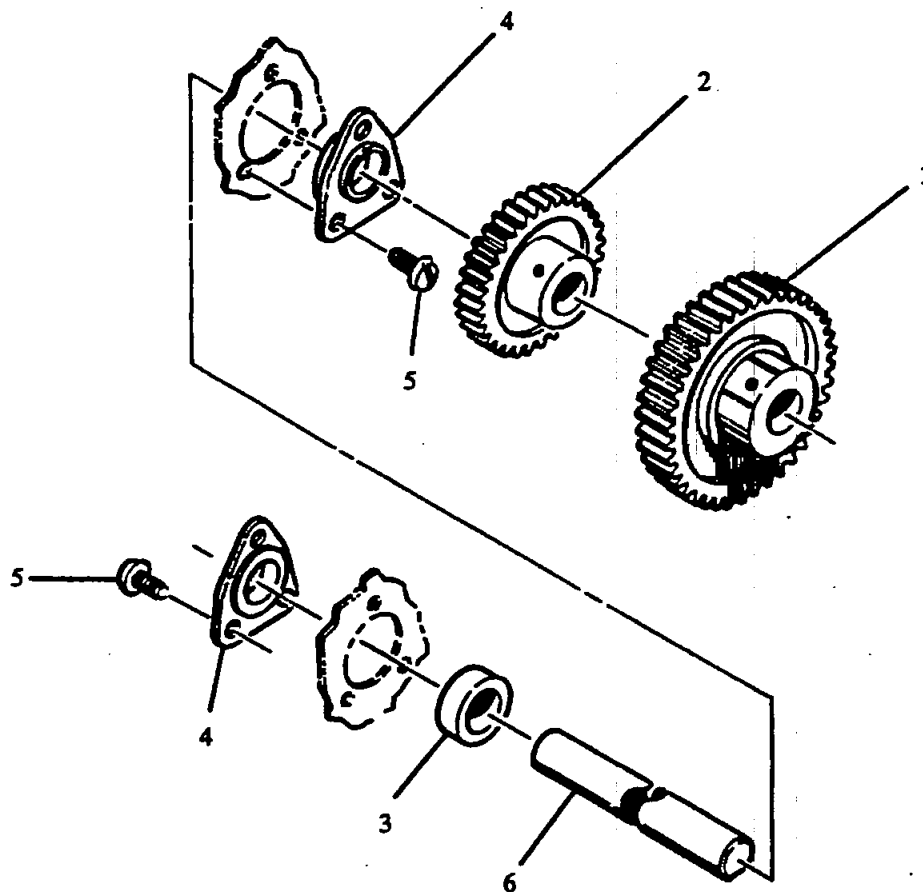
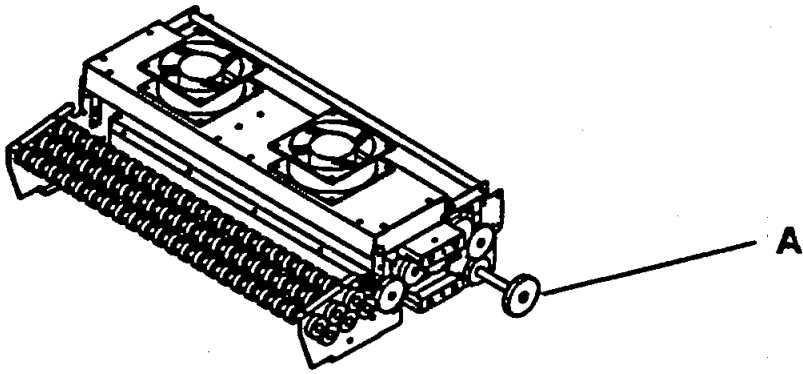
FIGURE 5.86

Item No.	Gin No.	Kreonite Part No.	Description	Qty	Code	Int
-1	1726275	07-45-010-533	SHAFT ASSY-1" S.S.	4		
2	1767939	02-43-021-30T	GEAR-24 TOOTH	1		
3	1722086	02-43-038-1	BEARING	2		
-4	1729878	02-45-051-61	SHAFT ASSY-W/END PLUGS	1		
5	1729768	02-45-051-111	TUBE-SHAFT	1		
6	1731437	07-43-096-1	END PLUG ASSY-SHAFT	1		
7	1722637	07-43-096-2	END PLUG ASSY-SHAFT	1		
8	1722518	07-43-012-5	SNAP RING	1		

INTERCHANGEABILITY STATUS



ILFOLAB MG2650 Illustrated Parts Catalog



Detail A

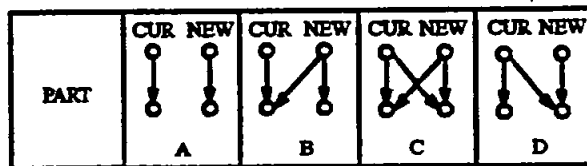
FIGURE 5.87 DRIVE SHAFT ASSEMBLY-DRYER

ILFOLAB MG2650 Illustrated Parts Catalog

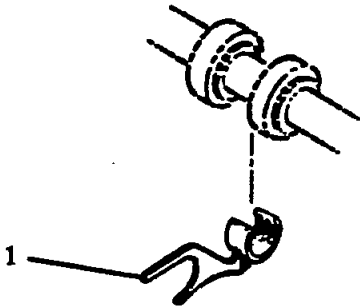
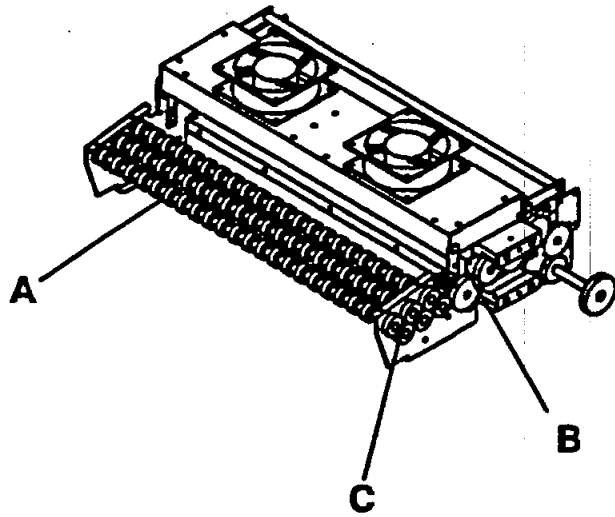
FIGURE 5.87

Item No.	Gin No.	Kreonite Part No.	Description	Qty	Code	Int
1	1722536	07-43-013-2	GEAR-40 TOOTH	1		
2	1755325	07-43-128-3	GEAR-32 TOOTH W/SET SCREW	1		
3	1754546	K5-1016A06	COLLAR	1		
4	1755462	17-43-015-1T	BLOCK-BEARING	2		
5	1726817	KMS8324ES	SCREW-MACH	6		
6	1755343	07-45-004-123	SHAFT-DRIVE	1		

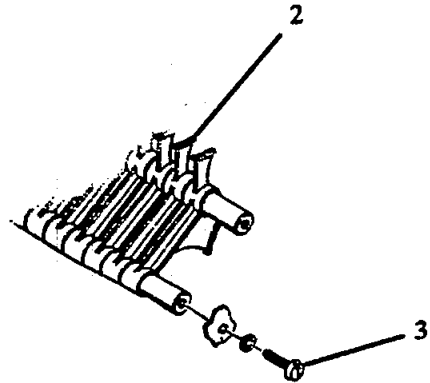
INTERCHANGEABILITY STATUS



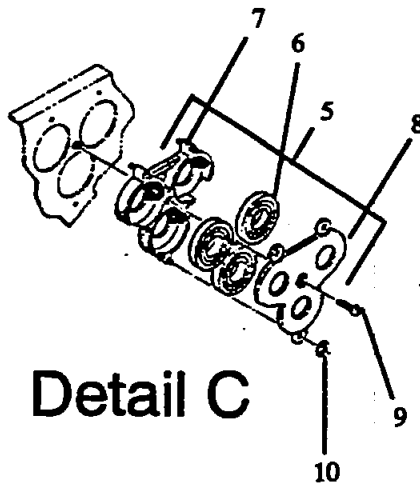
ILFOLAB MG2650 Illustrated Parts Catalog



Detail A



Detail B



Detail C

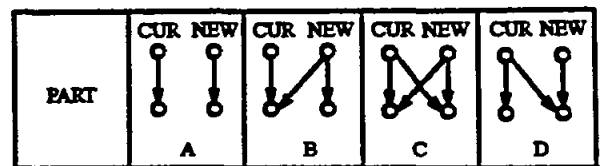
FIGURE 5.90 GUIDES-DRYER

ILFOLAB MG2650 Illustrated Parts Catalog

FIGURE 5.90

Item No.	Gin No.	Kreonite Part No.	Description	Qty	Code	Int
1	1736845	07-45-032-29T	GUIDE-DRYER	47		
2	1731125	07-43-005-4T	GUIDE-ENTRANCE/EXIT	43		
3	1736221	KMS103216ES	SCREW-MACH	4		
5	1722918	17-43-015-17	BEARING ASSY-3 POSITION	4		
6	1715743	K5-4070-03	BEARING	12		
7	1726183	17-43-015-15	RETAINER-BEARING 3 POSITION	4		
8	1726192	17-43-015-16	COVER-BEARING	4		
9	1721528	KMS8326ES	SCREW-MACH	4		
10	1729281	K5-1055K79	NUT-SPEED	12		

INTERCHANGEABILITY STATUS



ILFOLAB MG2650 Illustrated Parts Catalog

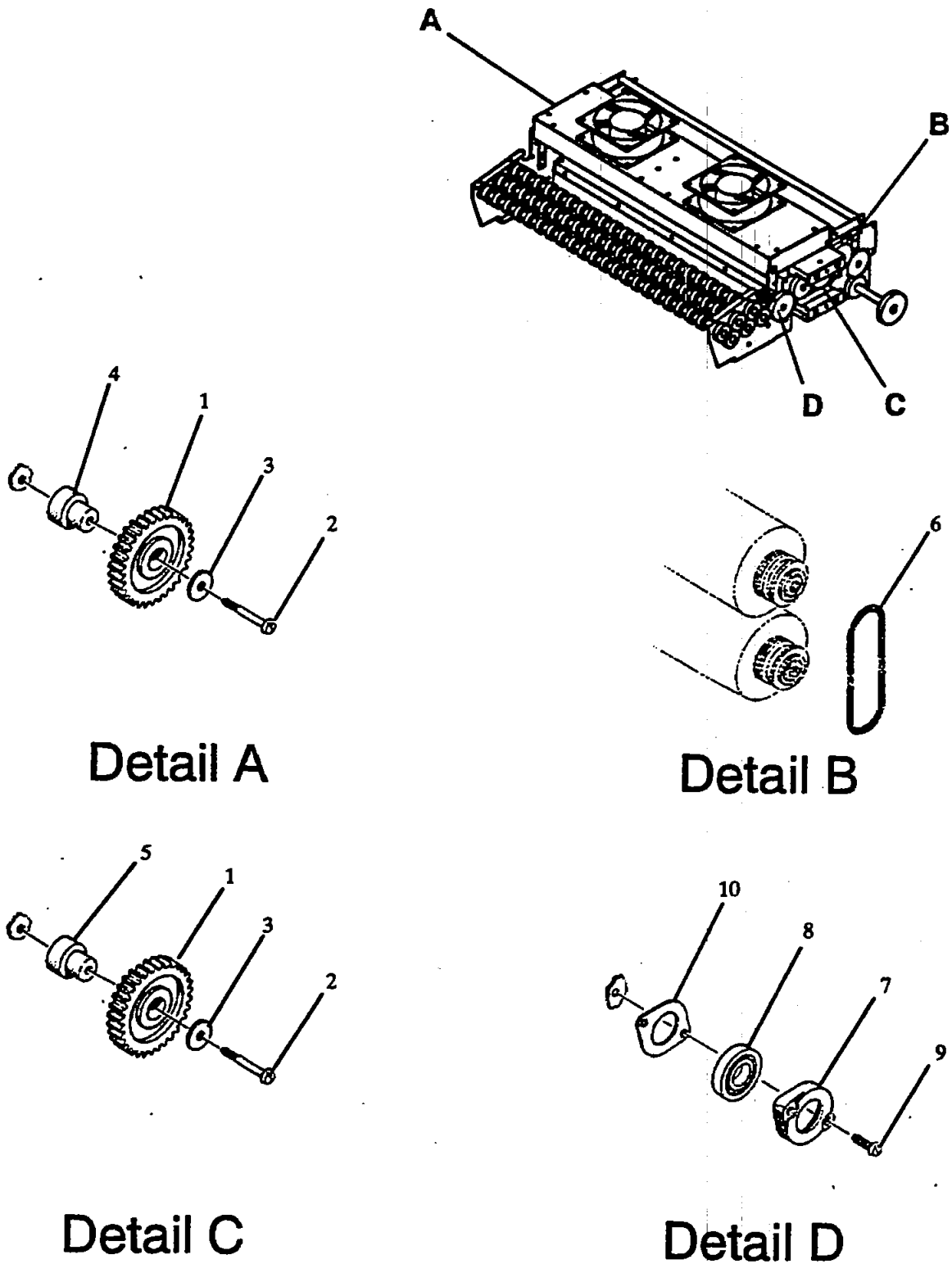


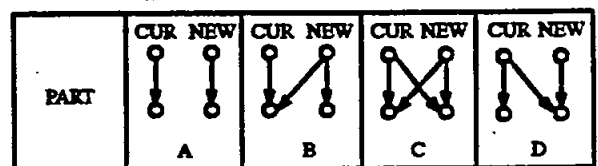
FIGURE 5.95 DETAILS-INFRARED DRYER

ILFOLAB MG2650 Illustrated Parts Catalog

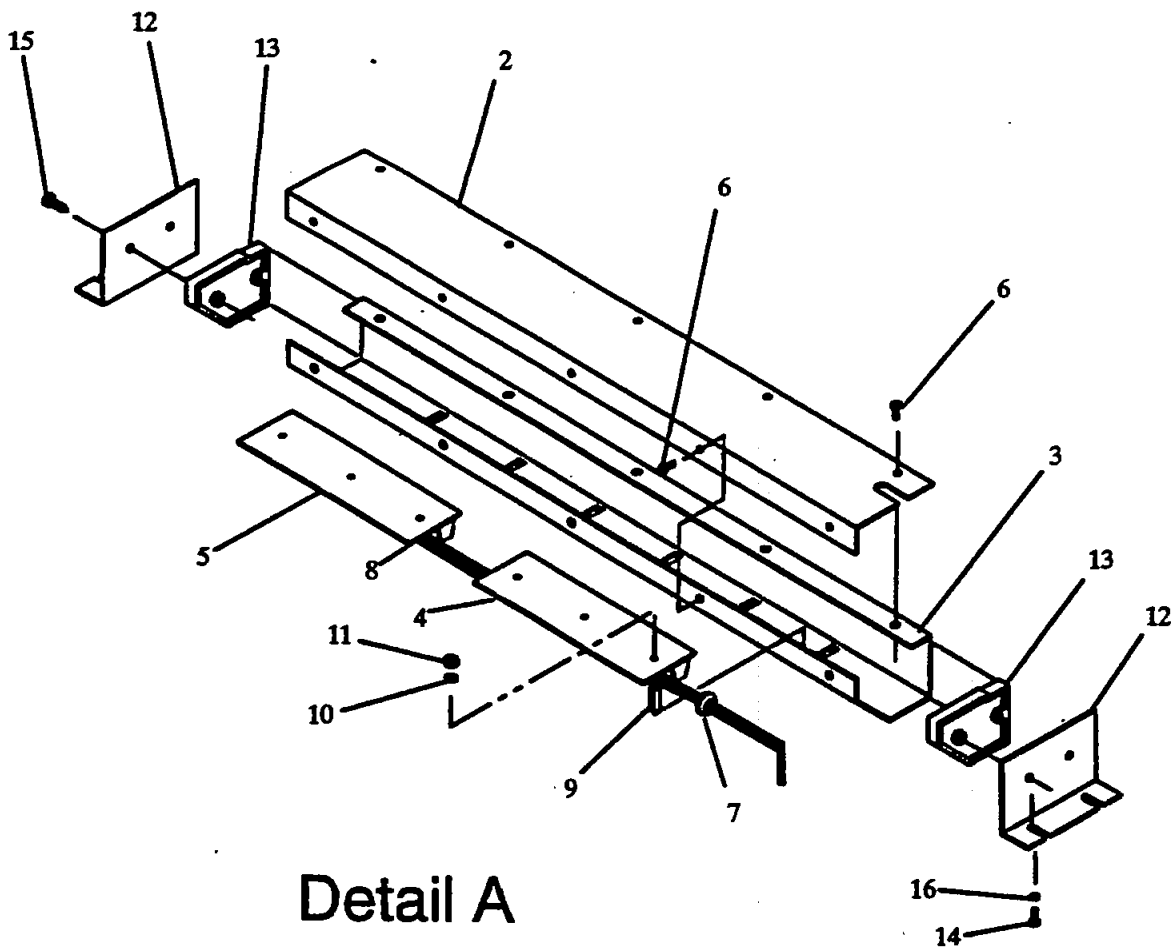
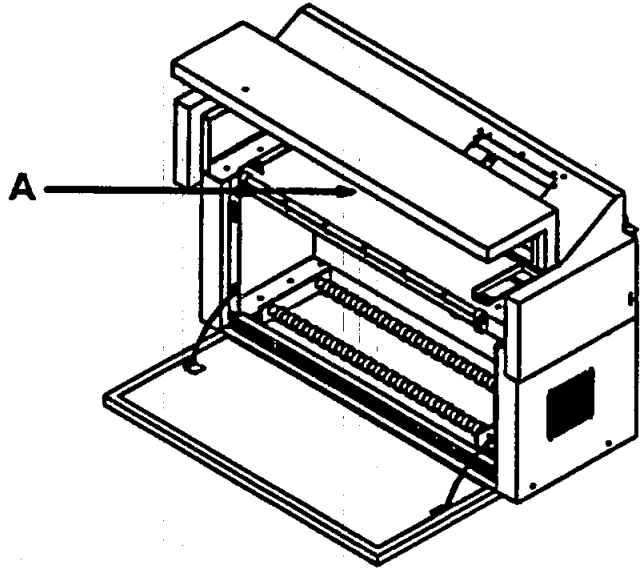
FIGURE 5.95

Item No.	Gin No.	Kreonite Part No.	Description	Qty	Code	Int
1	1767443	K2-2049D08	GEAR-35 TOOTH	3		
2	1736230	KMS103224ES	SCREW-MACH	3		
3	1722114	02-43-066-4	WASHER-PLASTIC	3		
4		07-43-127-159	STUD-IDLER	1		
5		07-43-127-122	STUD-IDLER	2		
6	1737330	K5-4044-09	SPRING	A/R		
7	1722907	17-43-015-13	RETAINER-BEARING	2		
8	1715743	K5-4070-03	BEARING	2		
9	1721528	KMS8326ES	SCREW-MACH	2		
10	1740163	17-43-015-18	PLATE-BEARING RETAINER	2		

INTERCHANGEABILITY STATUS



ILFOLAB MG2650 Illustrated Parts Catalog



Detail A

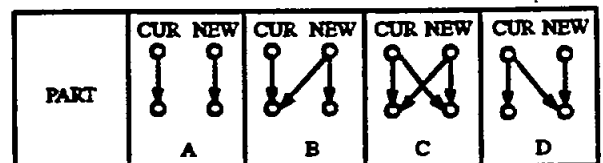
FIGURE 6.10 INFRARED REPLENISHMENT SYSTEM

ILFOLAB MG2650 Illustrated Parts Catalog

FIGURE 6.10

Item No.	Gin No.	Kreonite Part No.	Description	Qty	Code	Int
-1		07-35-307-12	REPLENISHMENT ASSY-INFRARED	1		
2		07-15-106-8BL	COVER	1		
3		07-15-106-16BL	BOX-IR SENSOR	1		
4		14-35-061-53	PC BOARD-REFLECTIVE	1		
5		14-35-061-52	PC BOARD-REFLECTIVE	1		
6	1736249	KMS6324AP	SCREW-MACH	A/R		
7	1767498	K4-1130-02	GROMMET-RUBBER	1		
8		K4-1135-04	JUMPER-PREFORMED WIRE	A/R		
9	1729070	K4-1362-107	SPACER-PC BOARD	A/R		
10	1729209	K5-1048A03	WASHER-LOCK	A/R		
11	1726918	KN632ZP	NUT-HEX	A/R		
12	1767599	07-15-106-23BL	BRACKET-MOUNTING	2		
13	1737716	07-15-106-18	BLOCK-SUPPORT	2		
14	1721528	KMS8326ES	SCREW-MACH	A/R		
15	1721629	KST8AB8GS	SCREW-SELF TAP	4		
16	1721876	K5-1047B06	WASHER-LOCK	4		

INTERCHANGEABILITY STATUS



ILFOLAB MG2650 Illustrated Parts Catalog

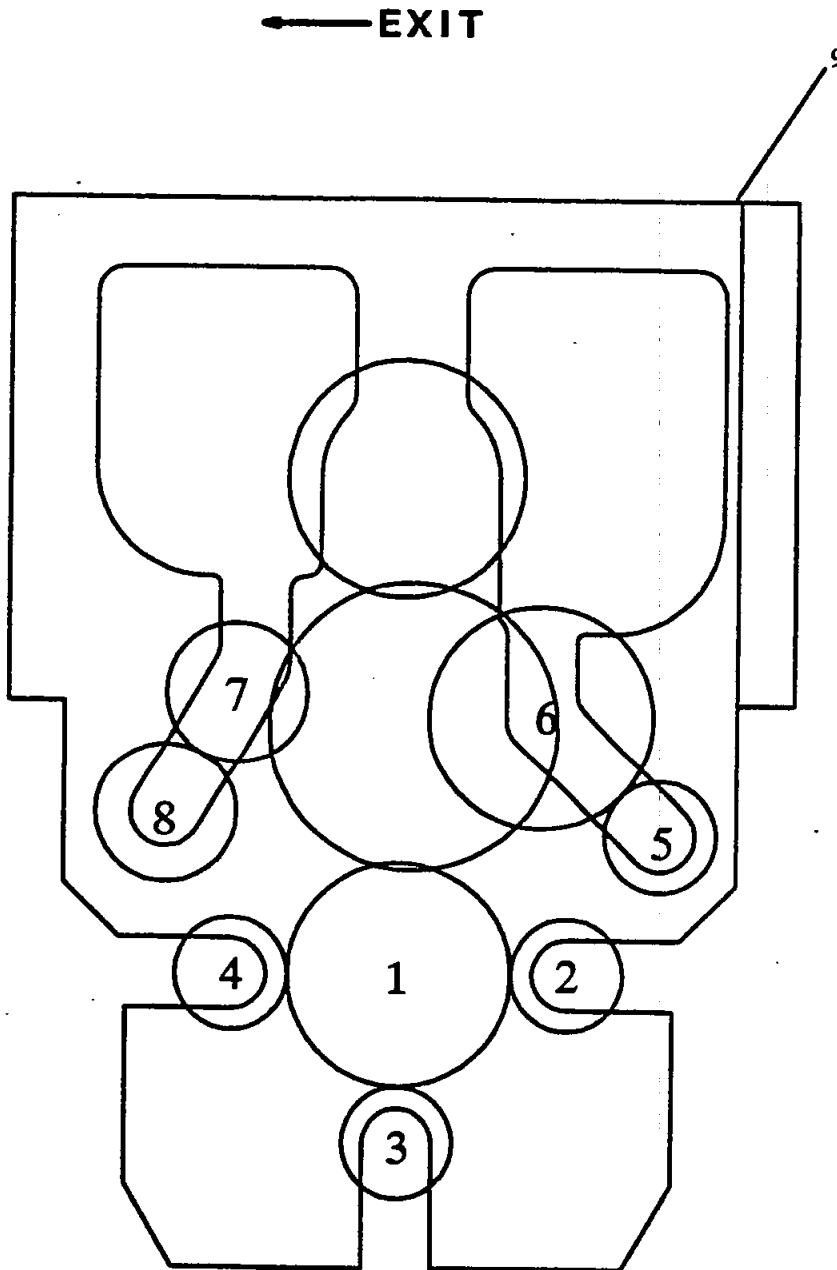


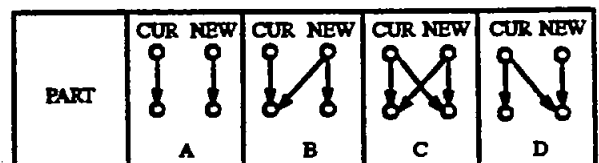
FIGURE 7.01 TRANSPORT ASSEMBLY-DEVELOPER

ILFOLAB MG2650 Illustrated Parts Catalog

FIGURE 7.01

Item No.	Gin No.	Kreonite Part No.	Description	Qty Code Int
1		07-45-010-1910	SHAFT ASSY-RUBBER 2" OD SEE FIGURE 7.32	RF
2	1726275	07-45-010-533	SHAFT ASSY-SS 1" OD SEE FIGURE 7.31	RF
3	1726275	07-45-010-533	SHAFT ASSY-SS 1" OD SEE FIGURE 7.31	RF
4	1726275	07-45-010-533	SHAFT ASSY-SS 1" OD SEE FIGURE 7.31	RF
5	1726275	07-45-010-533	SHAFT ASSY-SS 1" OD SEE FIGURE 7.31	RF
6		07-45-010-1910	SHAFT ASSY-RUBBER 2" OD SEE FIGURE 7.32	RF
7		07-45-010-434	SHAFT ASSY-RUBBER SEE FIGURE 7.36	RF
8		07-45-010-434	SHAFT ASSY-RUBBER SEE FIGURE 7.36	RF
-9		07-46-135-210	TRANSPORT ASSY-DEVELOPER	1

INTERCHANGEABILITY STATUS



ILFOLAB MG2650 Illustrated Parts Catalog

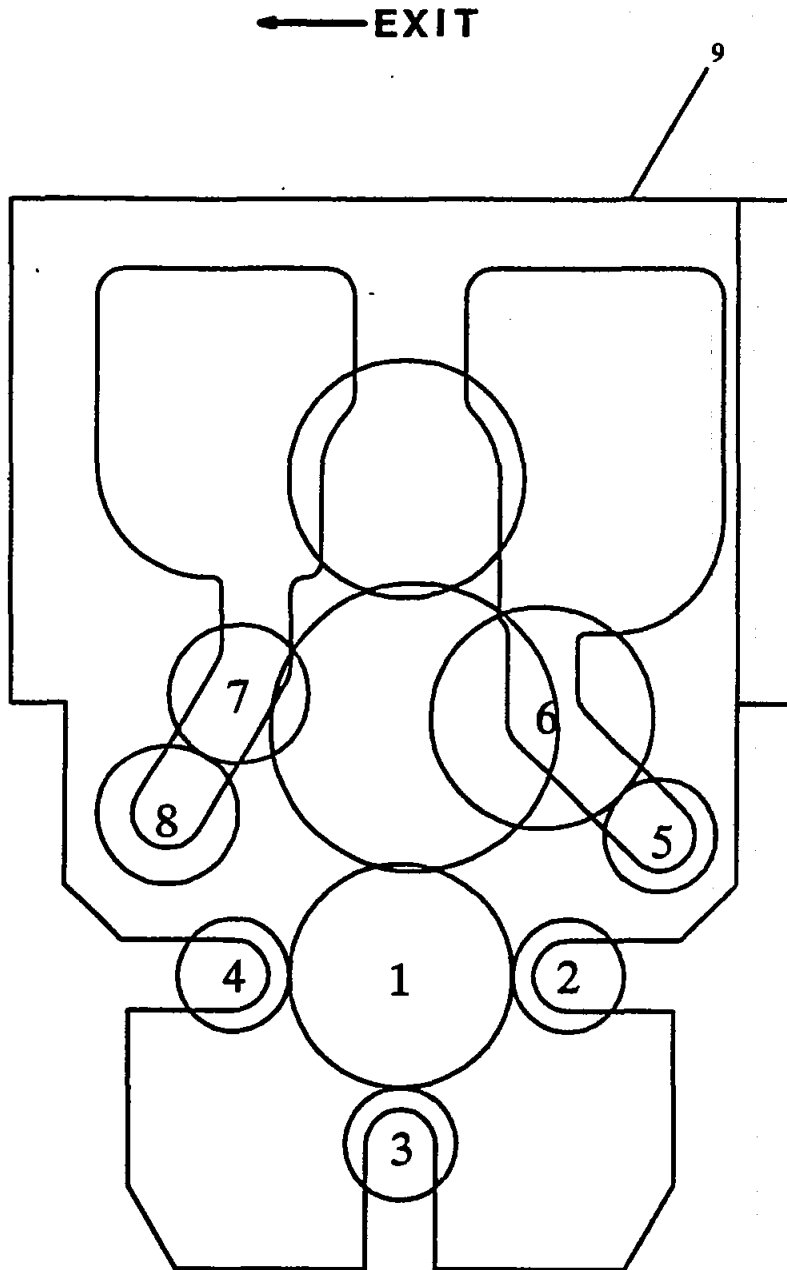


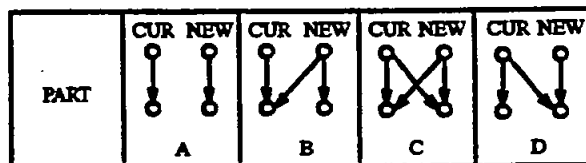
FIGURE 7.05 TRANSPORT ASSEMBLY-FIX

ILFOLAB MG2650 Illustrated Parts Catalog

FIGURE 7.05

Item No.	Qin No.	Kreonite Part No.	Description	Qty	Code	Int
1		07-45-010-433	SHAFT ASSY-POLY/SS 2" OD SEE FIGURE 7.35		RF	
2	1726275	07-45-010-533	SHAFT ASSY-SS 1" OD SEE FIGURE 7.31		RF	
3	1726275	07-45-010-533	SHAFT ASSY-SS 1" OD SEE FIGURE 7.31		RF	
4	1726275	07-45-010-533	SHAFT ASSY-SS 1" OD SEE FIGURE 7.31		RF	
5	1726275	07-45-010-533	SHAFT ASSY-SS 1" OD SEE FIGURE 7.31		RF	
6		07-45-010-1910	SHAFT ASSY-RUBBER 2" OD SEE FIGURE 7.37		RF	
7	1730281	07-45-010-23	SHAFT ASSY-POLY/SS 1-1/4" OD SEE FIGURE 7.33		RF	
8	1730346	07-45-010-400	SHAFT ASSY-SS 1-1/4" OD SEE FIGURE 7.34		RF	
-9		07-46-135-211	TRANSPORT ASSY-FIX	1		

INTERCHANGEABILITY STATUS



ILFOLAB MG2650 Illustrated Parts Catalog

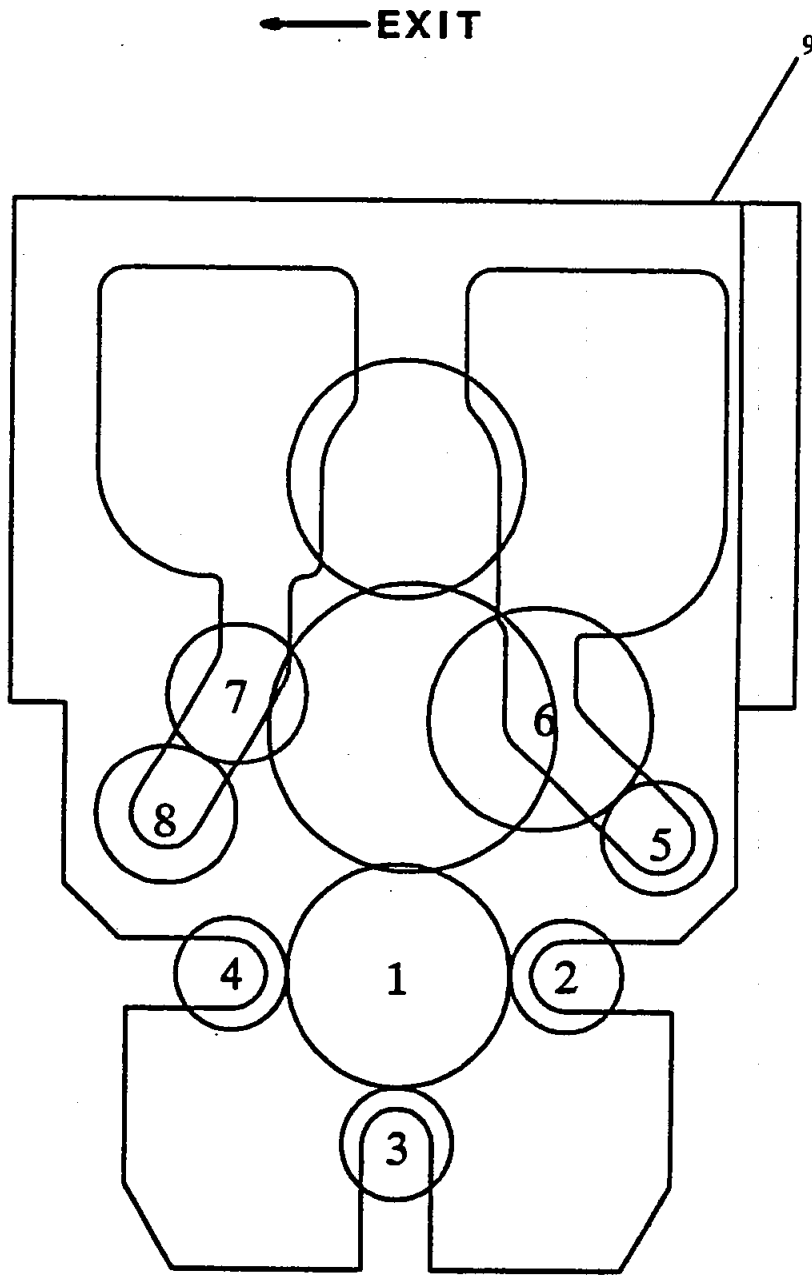


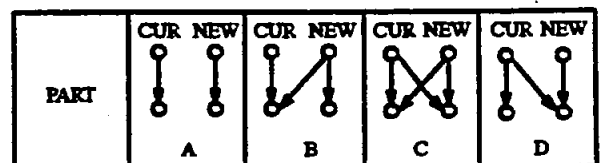
FIGURE 7.10 TRANSPORT ASSEMBLY-WASH

ILFOLAB MG2650 Illustrated Parts Catalog

FIGURE 7.10

Item No.	Qtn No.	Kreonite Part No.	Description	Qty	Code	Int
1		07-45-010-433	SHAFT ASSY-POLY/SS 2" OD SEE FIGURE 7.35		RF	
2	1726275	07-45-010-533	SHAFT ASSY-SS 1" OD SEE FIGURE 7.31		RF	
3	1726275	07-45-010-533	SHAFT ASSY-SS 1" OD SEE FIGURE 7.31		RF	
4	1726275	07-45-010-533	SHAFT ASSY-SS 1" OD SEE FIGURE 7.31		RF	
5	1726275	07-45-010-533	SHAFT ASSY-SS 1" OD SEE FIGURE 7.31		RF	
6		07-45-010-1910	SHAFT ASSY-RUBBER 2" OD SEE FIGURE 7.37		RF	
7		07-45-010-1909	SHAFT ASSY-RUBBER 1-1/4 OD SEE FIGURE 7.36		RF	
8	1730346	07-45-010-400	SHAFT ASSY-SS 1-1/4" OD SEE FIGURE 7.34		RF	
-9		07-46-135-212	TRANSPORT ASSY-WASH	1		

INTERCHANGEABILITY STATUS



ILFOLAB MG2650 Illustrated Parts Catalog

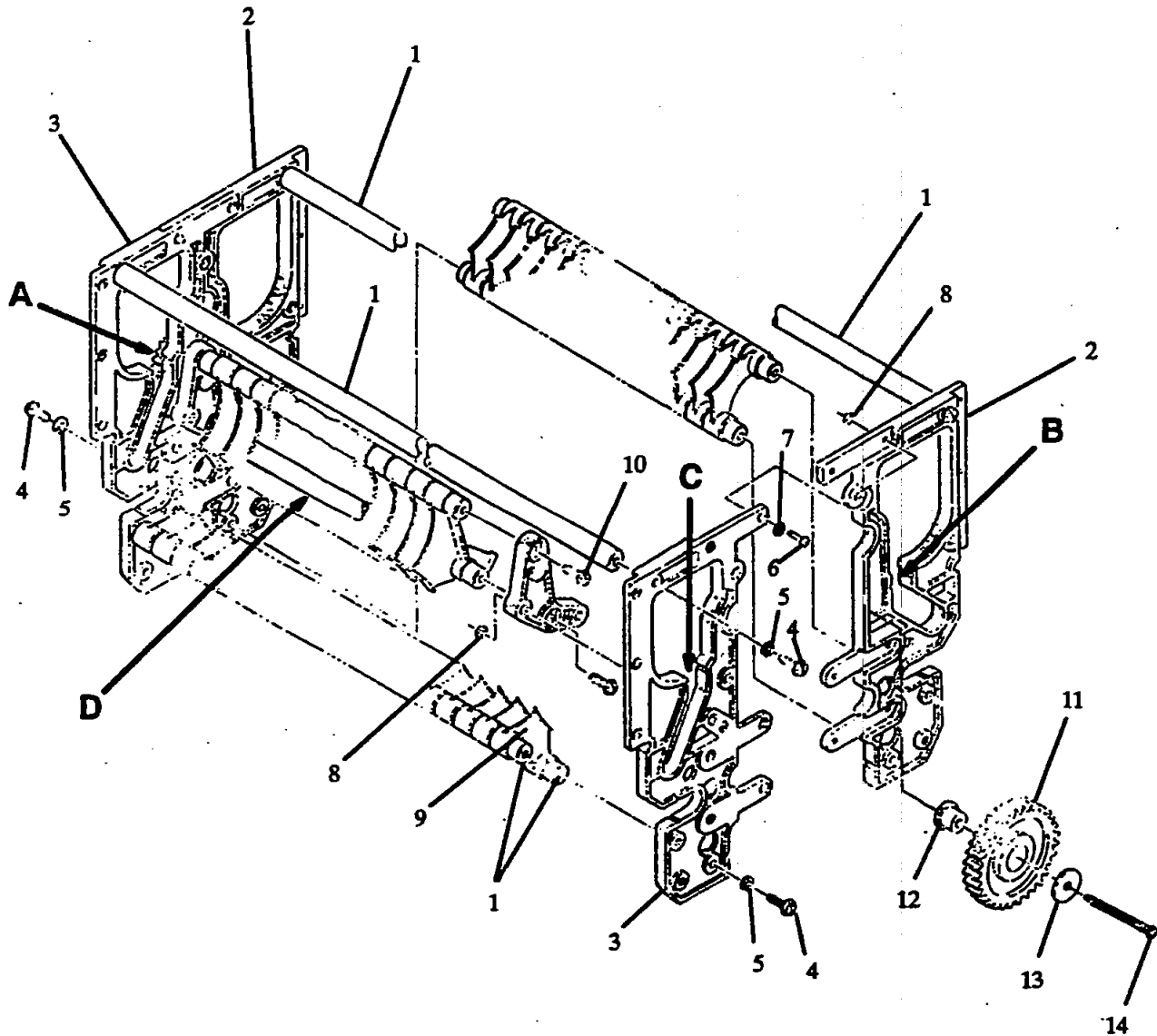


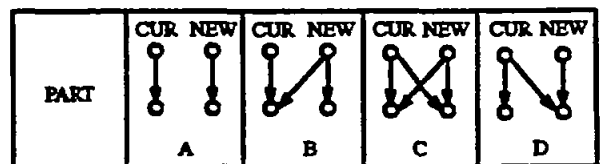
FIGURE 7.20 (1 OF 2) TRANSPORT ASSEMBLY-1 CENTER ROLLER

ILFOLAB MG2650 Illustrated Parts Catalog

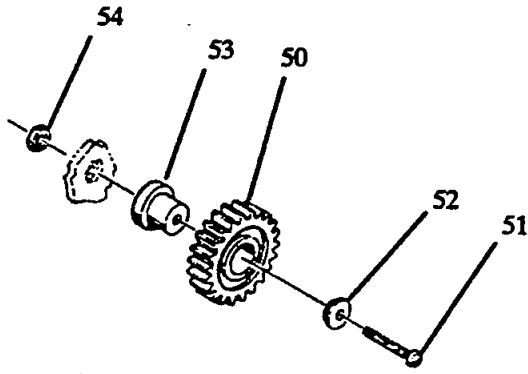
**FIGURE 7.20
(1 OF 2)**

Item No.	Qin No.	Kreonite Part No.	Description	Qty	Code	Int
1	1729520	02-45-013-15	TIEROD-TRANSPORT	6		
2		07-43-001-50	ENDPLATE-TRANSPORT ENTRANCE	2		
3		07-43-001-51	ENDPLATE-TRANSPORT EXIT	2		
4	1726523	KMS103210ES	SCREW-MACH	A/R		
5	1721885	K5-1047B07	WASHER-LOCK	A/R		
6	1726716	KMS6325ES	SCREW-MACH	A/R		
7	1721867	K5-1047B05	WASHER-LOCK	A/R		
8	1721564	KN632US	NUT-HEX	A/R		
9	1731107	07-43-003-10T	GUIDE-BOTTOM TURNAROUND	A/R		
10	1726523	KMS103210ES	SCREW-MACH	A/R		
11	1762947	02-43-021-80T	GEAR-40 TOOTH	1		
12	1767892	07-43-004-26	STUD	1		
13	1722114	02-43-066-4	WASHER	1		
14	1726578	KMS103220ES	SCREW-MACH	1		

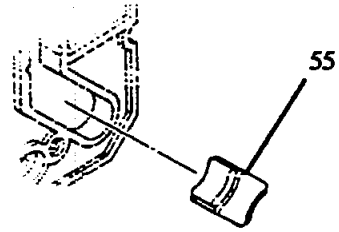
INTERCHANGEABILITY STATUS



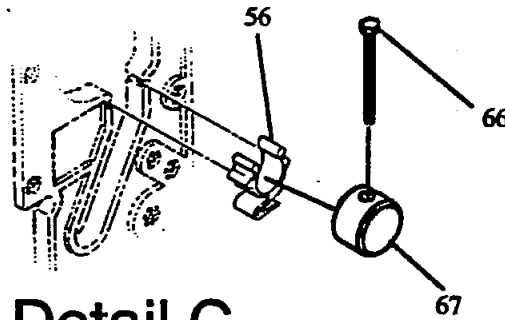
ILFOLAB MG2650 Illustrated Parts Catalog



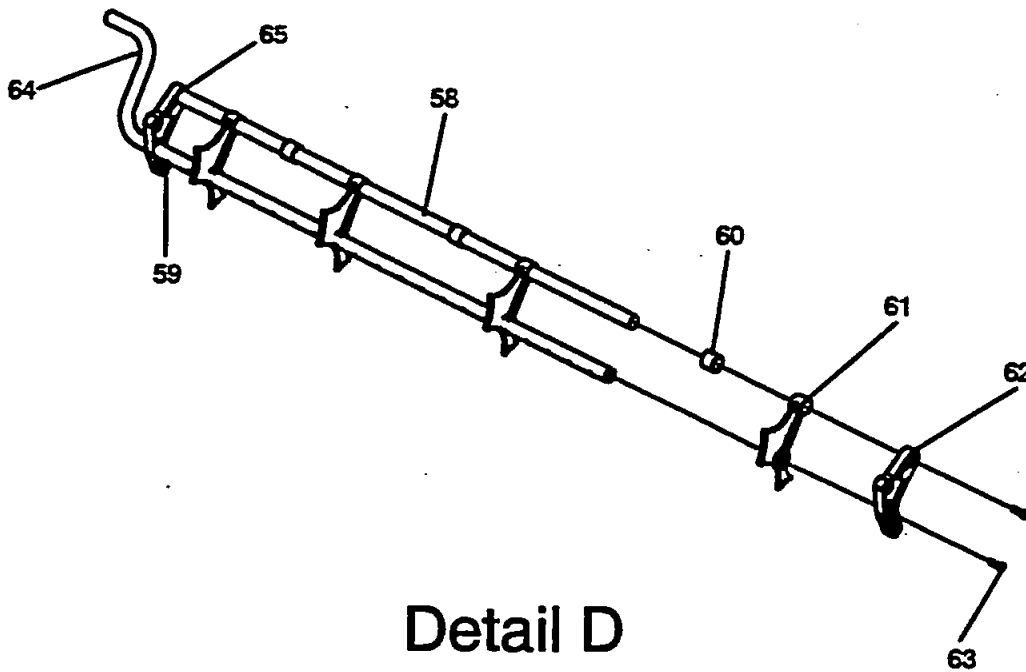
Detail A



Detail B



Detail C



Detail D

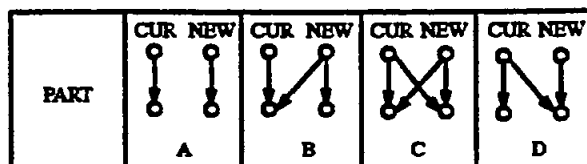
FIGURE 7.20 (2 OF 2) TRANSPORT ASSEMBLY-1 CENTER ROLLER

ILFOLAB MG2650 Illustrated Parts Catalog

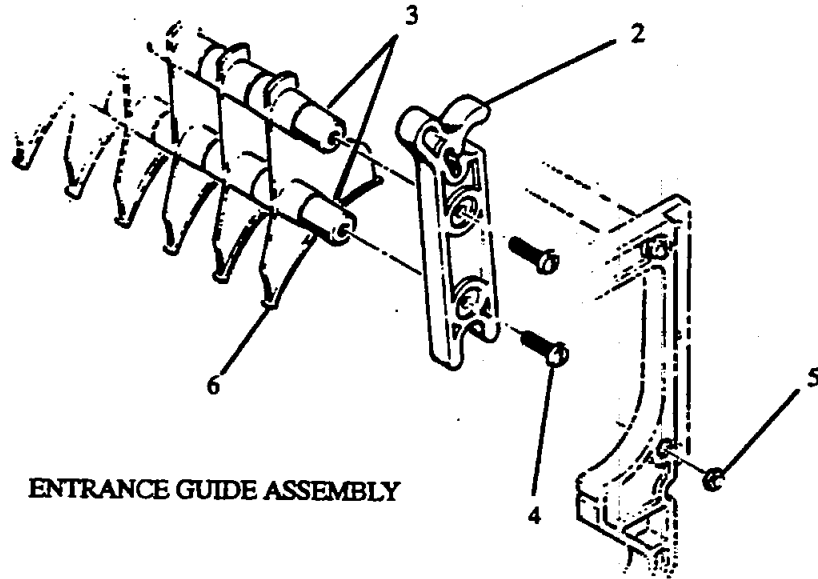
**FIGURE 7.20
(2 OF 2)**

Item No.	Gin No.	Kreonite Part No.	Description	Qty	Code	Int
50	1721995	02-43-021-1000T	GEAR-IDLER 22 TOOTH	1		
51	1721463	KMS63216ES	SCREW-MACH	1		
52	1722206	02-43-163-1	WASHER	1		
53	1722105	02-43-066-3	STUD-IDLER	1		
54	1721564	KN632US	NUT-HEX	1		
55	1730694	07-45-025-2	BLOCK-SPACER	2		
56	1722619	07-43-052-1	CLIP-RETAINING SPRING	2		
		07-43-052-3	CLIP-DETAIL MODIFIED	1		
-57		07-45-014-49	GUIDE ASSY-SPRAY BAR	1		
58	1729603	02-45-013-25	ROD ASSY-SPACER	4		
59	1721564	KN632US	NUT-HEX	4		
60		02-43-034-6	SPACER	22		
61	1731125	07-43-005-4T	GUIDE	22		
62	1731161	07-43-022-2	BRACKET-END	1		
63	1726615	KMS10328ES	SCREW-MACH	2		
64		07-45-014-50	SPRAY-BAR	1		
65		07-43-022-4	GUIDE-BRACKET MODIFIED	1		
66	1721472	KMS63220ES	SCREW-MACH	1		
67		07-16-504-76	CLIP-TENSIONER	1		

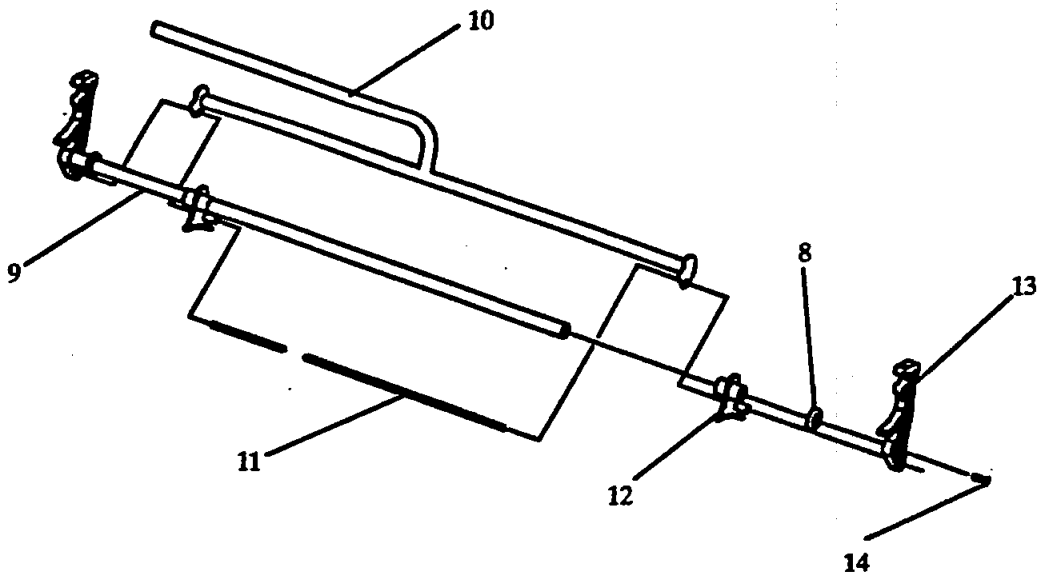
INTERCHANGEABILITY STATUS



ILFOLAB MG2650 Illustrated Parts Catalog



ENTRANCE GUIDE ASSEMBLY



WASH-TO-DRYER GUIDE ASSEMBLY

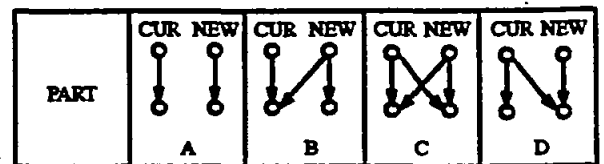
FIGURE 7.25 (1 OF 2) TRANSPORT GUIDES AND LIGHT BAFFLE

ILFOLAB MG2650 Illustrated Parts Catalog

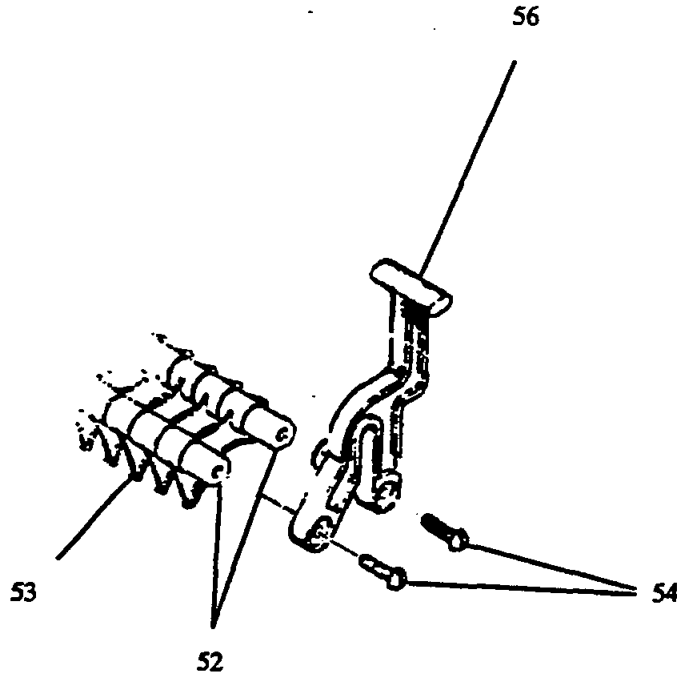
**FIGURE 7.25
(1 OF 2)**

Item No.	Gin No.	Kreonite Part No.	Description	Qty	Code	Int
-1	1730649	07-45-020-3T	GUIDE ASSY-ENTRANCE	1		
2	1724048	07-43-032-3	BRACKET-END	2		
3	1729557	02-45-013-17	TIE ROD	2		
4	1726523	KMS103210ES	SCREW-MACH	4		
5	1721564	KN632US	NUT-HEX	4		
6	1731208	07-43-031-4T	GUIDE	21		
-7		07-45-014-48	GUIDE ASSY-EXIT	1		
8	1715789	02-43-034-1	COLLAR-SPACER	2		
9	1729557	02-45-013-17	ROD ASSY-SPACER	1		
10		07-45-014-46	SPRAY BAR ASSY	1		
11	1726404	07-45-014-17	SHAFT-CROSSOVER	1		
12	1731198	07-43-026-4T	GUIDE-WASH TO DRYER	19		
13	1724020	07-43-025-2	BRACKET-GUIDE	2		
14	1726615	KMS10328ES	SCREW-MACH	2		

INTERCHANGEABILITY STATUS



ILFOLAB MG2650 Illustrated Parts Catalog



STANDARD CROSSOVER ASSEMBLY

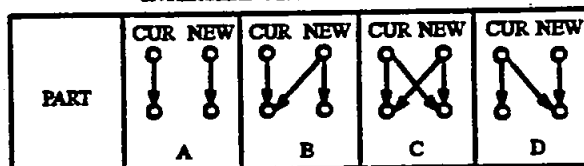
FIGURE 7.25 (2 OF 2) TRANSPORT GUIDES

ILFOLAB MG2650 Illustrated Parts Catalog

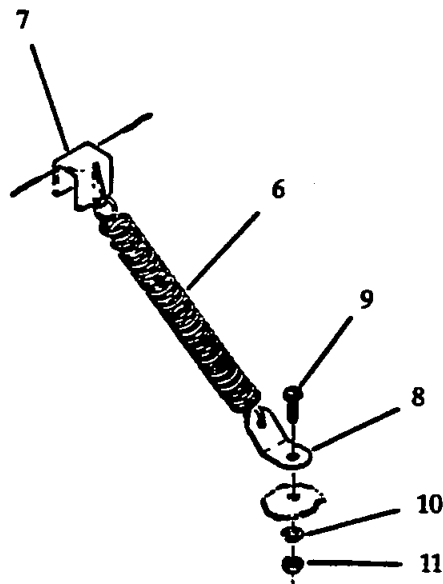
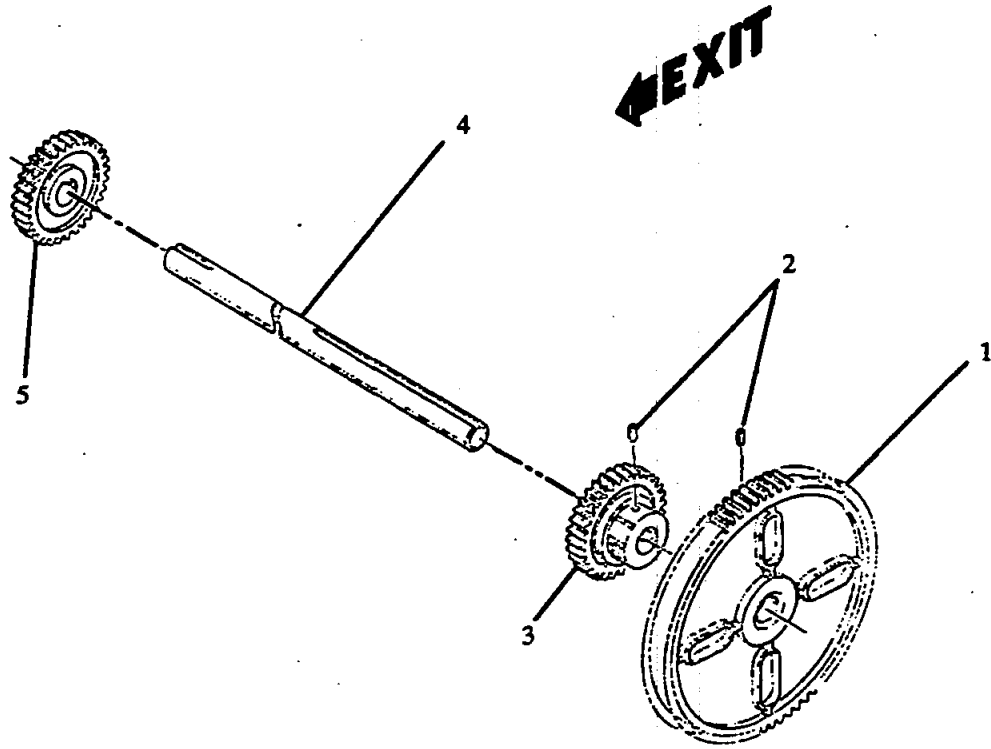
**FIGURE 7.25
(2 OF 2)**

Item No.	Gln No.	Kreonite Part No.	Description	Qty	Code	Int
52	1729557	02-45-013-17	TIE ROD	2		
53	1731134	07-43-008-4T	GUIDE-CROSSOVER STANDARD	42		
54	1726688	KMS10328ES	SCREW-MACH	4		
56	1731152	07-43-021-1	BRACKET-END	2		
-57	1730456	07-45-015-16T	CROSSOVER ASSY-UPPER	2		

INTERCHANGEABILITY STATUS



ILFOLAB MG2650 Illustrated Parts Catalog



Detail A

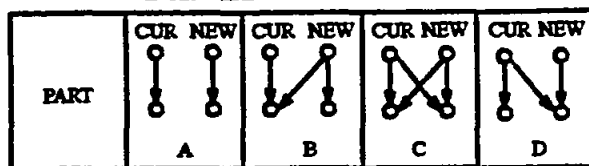
FIGURE 7.28 DRIVE SHAFT ASSEMBLY-LIQUID TRANSPORT

ILFOLAB MG2650 Illustrated Parts Catalog

FIGURE 7.28

Item No.	Gin No.	Kreonite Part No.	Description	Qty	Code Int
1	1736762	07-43-013-4	GEAR- 83 TOOTH WHITE	2	
	1722527	07-43-013-1	GEAR-80 TOOTH BLACK	1	
2	1721582	KSS1/4204E2S	SET SCREW	A/R	
3	1762936	02-43-021-58T	GEAR- 32 TOOTH	1	
4	1731666	07-45-004-39	SHAFT-DRIVE	1	
5	1715761	02-43-021-52T	GEAR- 32 TOOTH	1	
6	1731354	07-43-046-6	SPRING-TRANS HOLD-DOWN DRIVE SIDE	A/R	
7	1731390	07-43-061-2	CLIP-PLASTIC HOLD-DOWN	A/R	
8	1731381	07-43-061-1	CLIP-METAL HOLD-DOWN	A/R	
9	1726743	KMS6326ES	SCREW-MACH	1	
10	1721867	K5-1047B05	WASHER-LOCK	1	
11	1721564	KN632US	NUT-HEX	1	

INTERCHANGEABILITY STATUS



ILFOLAB MG2650 Illustrated Parts Catalog

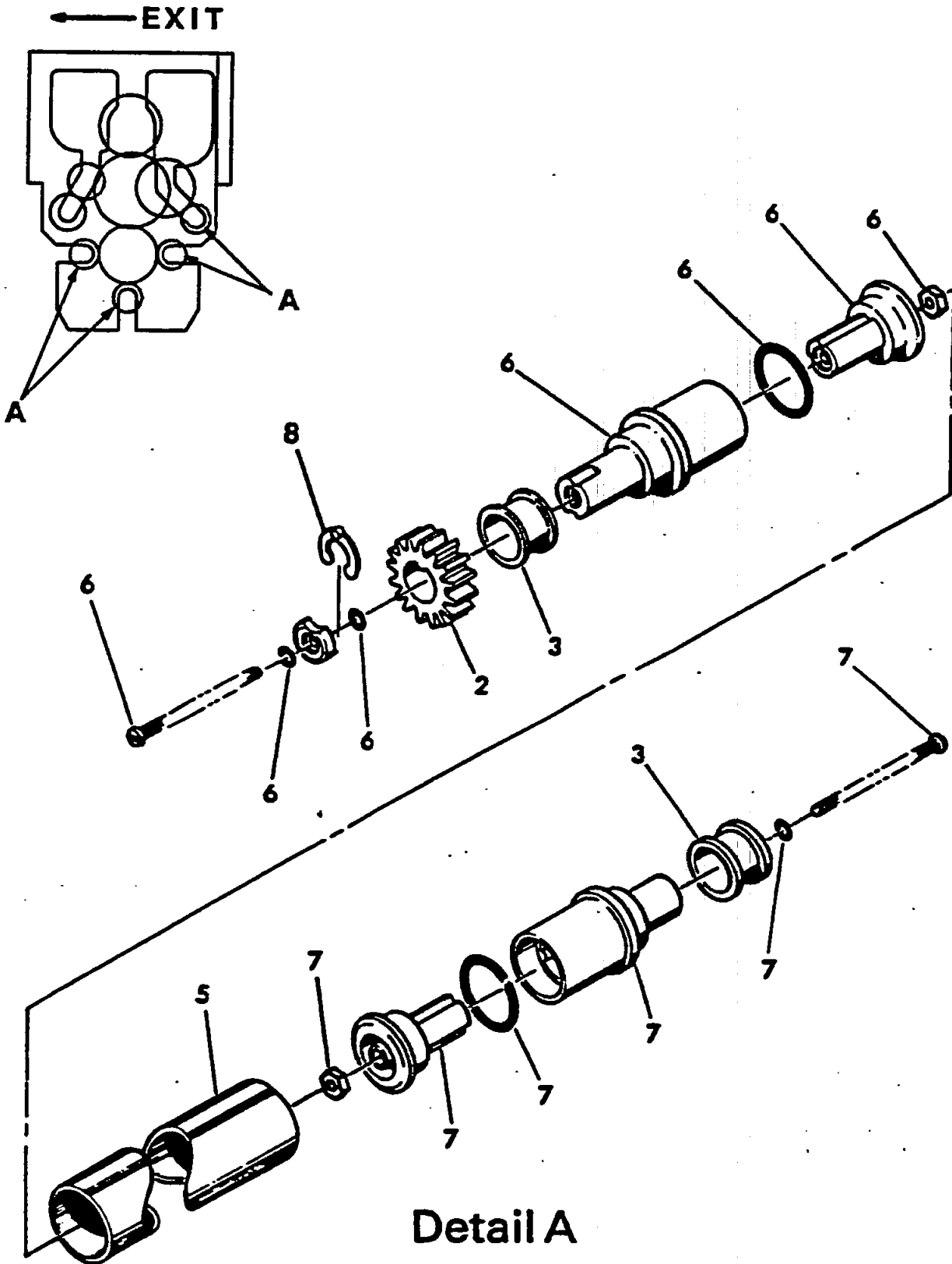


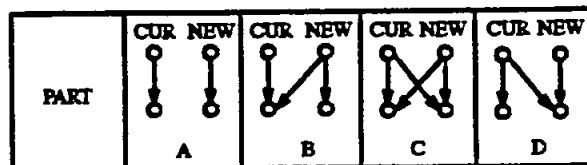
FIGURE 7.31 SHAFT ASSEMBLY-STAINLESS STEEL 1" OD

ILFOLAB MG2650 Illustrated Parts Catalog

FIGURE 7.31

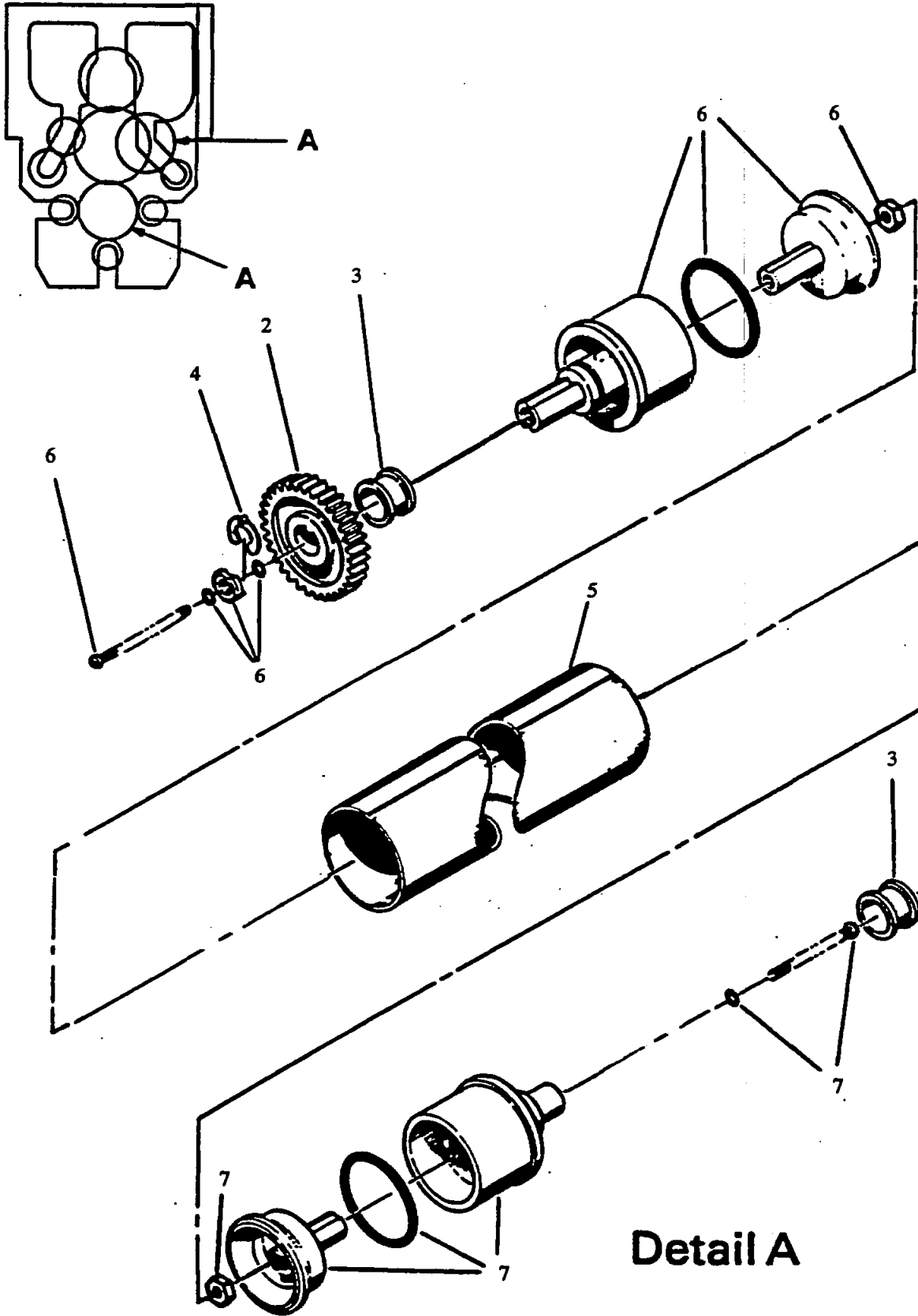
Item No.	Gin No.	Kreonite Part No.	Description	Qty	Code	Int
-1	1726275	07-45-010-533	SHAFT ASSY COMPLETE	4		
2	1722013	02-43-021-30T	GEAR-16 TOOTH	1		
3	1722086	02-43-038-1	BEARING	2		
-4	1729878	02-45-051-61	SHAFT ASSY-W/END PLUGS	1		
5	1729768	02-45-051-111	TUBE-SHAFT	1		
6	1731437	07-43-096-1	END PLUG ASSY-SHAFT	1		
7	1722637	07-43-096-2	END PLUG ASSY-SHAFT	1		
8	1722518	07-43-012-5	SNAP RING	1		

INTERCHANGEABILITY STATUS



ILFOLAB MG2650 Illustrated Parts Catalog

← EXIT



Detail A

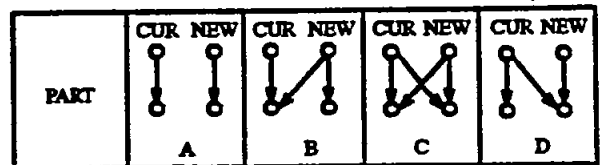
FIGURE 7.32 SHAFT ASSEMBLY-RUBBER 2" OD

ILFOLAB MG2650 Illustrated Parts Catalog

FIGURE 7.32

Item No.	Gin No.	Kreonite Part No.	Description	Qty	Code	Int
-1		07-45-010-1910	SHAFT ASSY-RUBBER 2" COMPLETE	1		
2	1767571	02-43-021-78T	GEAR-32 TOOTH	1		
3	1715798	02-43-038-3	BEARING-GREEN	2		
4	1722518	07-43-012-5	SNAP RING	1		
5		07-45-134-10	ROLLER-RUBBER 2"	1		
6	1722682	07-45-080-8	END PLUG ASSY-SHAFT	1		
7	1728585	07-45-080-7	END PLUG ASSY-SHAFT	1		

INTERCHANGEABILITY STATUS



ILFOLAB MG2650 Illustrated Parts Catalog

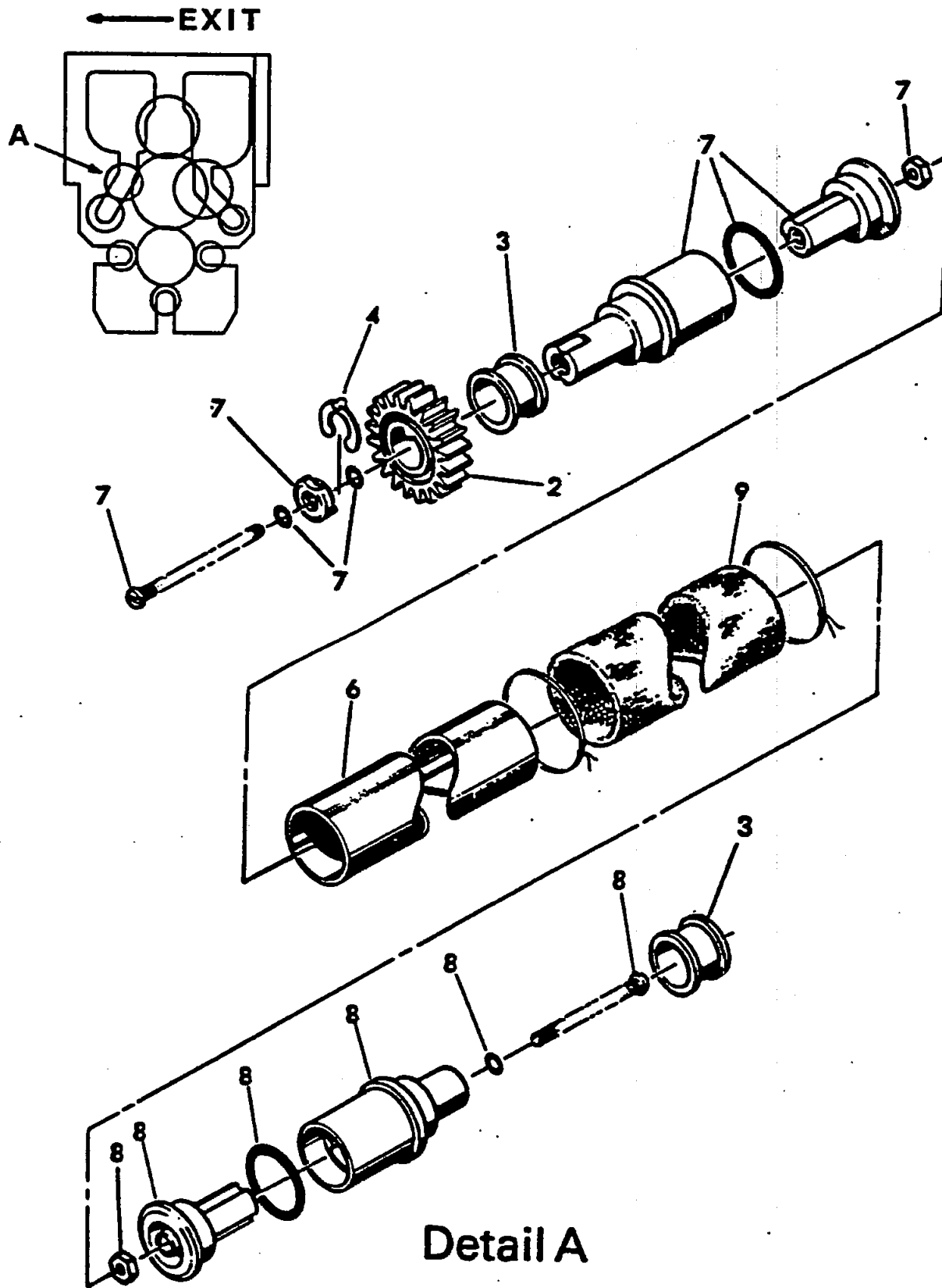


FIGURE 7.33 SHAFT ASSEMBLY-POLYESTER/SS 1-1/4" OD

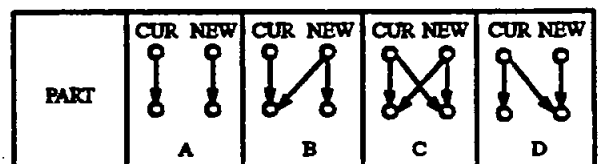
ILFOLAB MG2650 Illustrated Parts Catalog

FIGURE 7.33

Item No.	Gin No.	Kreonite Part No.	Description	Qty	Code	Int
-1	1730281	07-45-010-23	SHAFT ASSY COMPLETE	1		
2	1715752	02-43-021-47T	GEAR-20 TOOTH	1		
3	1722086	02-43-038-1	BEARING	2		
4	1722518	07-43-012-5	SNAP RING	1		
-5	1729887	02-45-051-61R	SHAFT ASSY-W/END PLUGS	1		
6	1729768	02-45-051-111	TUBE-SHAFT	1		
7	1731437	07-43-096-1	END PLUG ASSY-SHAFT	1		
8	1722637	07-43-096-2	END PLUG ASSY-SHAFT	1		
9	1721234	K6-5048-23	SOCK-POLYESTER 1-1/4" (SEE NOTE 1)	A/R		

NOTE 1: SPECIFY LENGTH IN FEET.

INTERCHANGEABILITY STATUS



ILFOLAB MG2650 Illustrated Parts Catalog

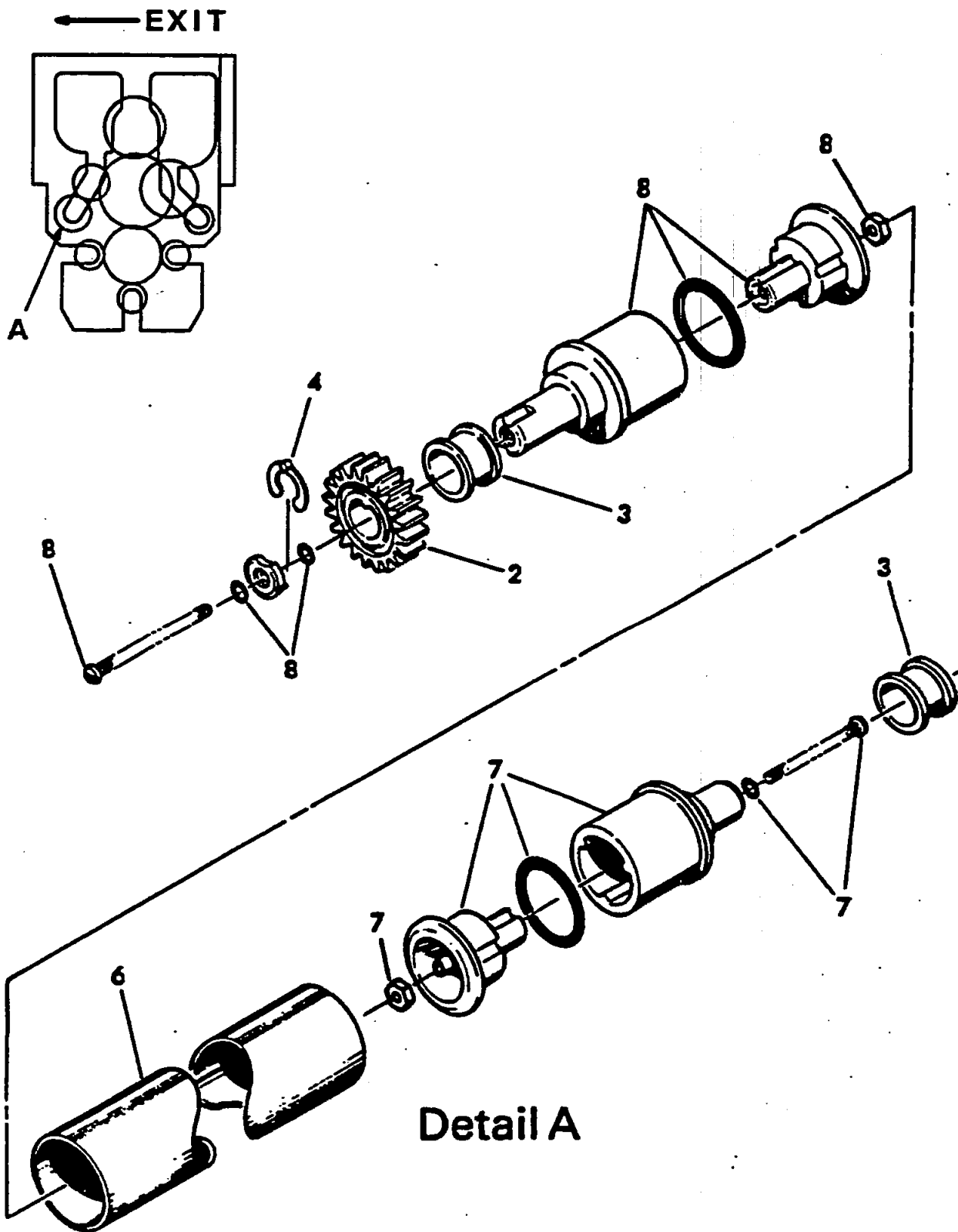


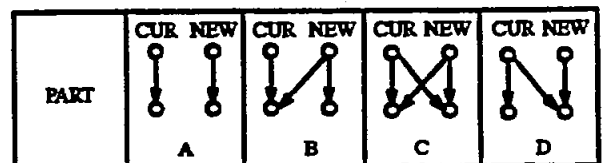
FIGURE 7.34 SHAFT ASSEMBLY-STAINLESS STEEL 1-1/4" OD

ILFOLAB MG2650 Illustrated Parts Catalog

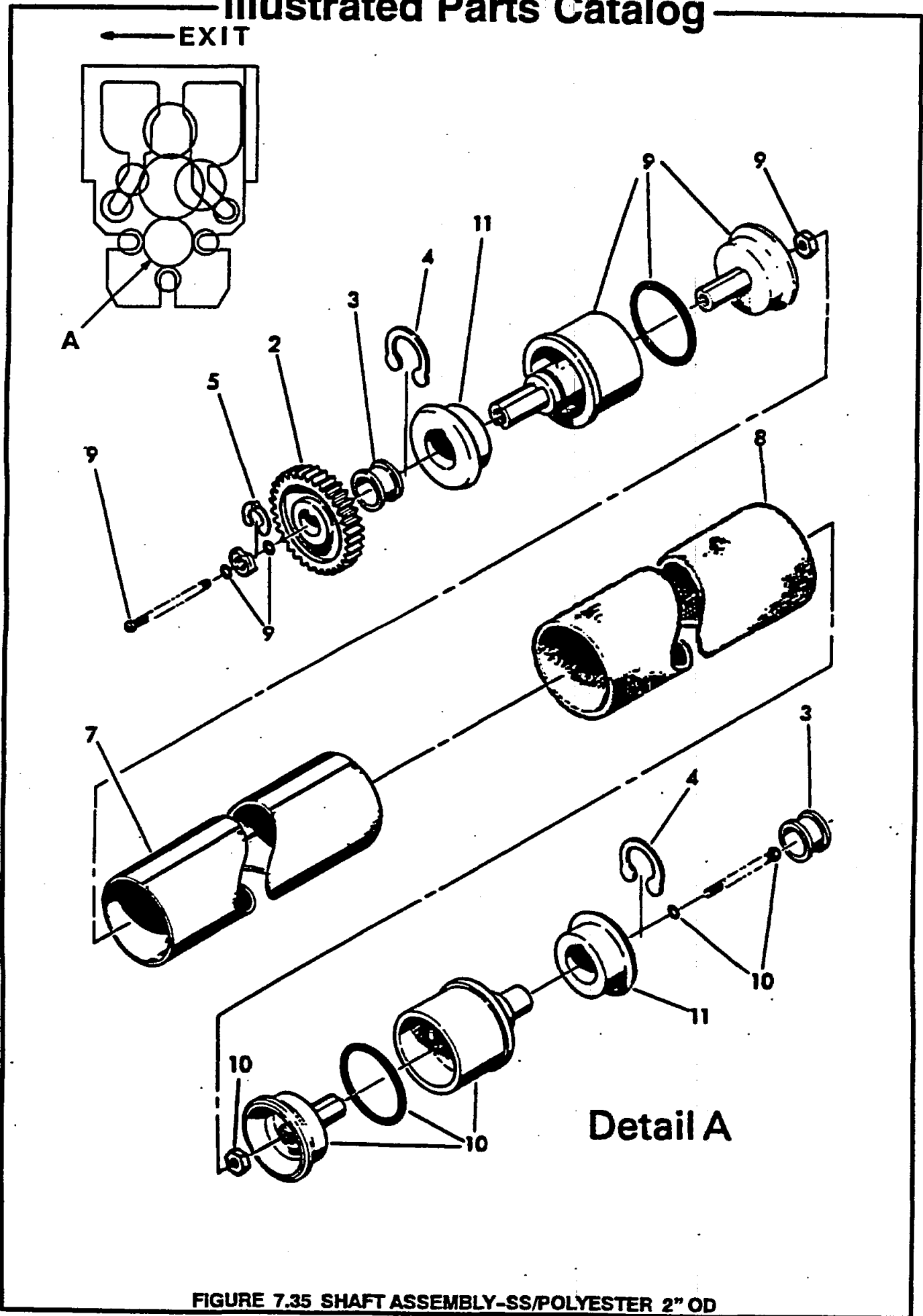
FIGURE 7.34

Item No.	Gln No.	Kreonite Part No.	Description	Qty	Code	Int
-1	1730346	07-45-010-400	SHAFT ASSY COMPLETE	1		
2	1715752	02-43-021-47T	GEAR-20 TOOTH	1		
3	1722086	02-43-038-1	BEARING	2		
4	1722518	07-43-012-5	SNAP RING	1		
-5	1729960	02-45-061-51	SHAFT ASSY-W/END PLUGS	1		
6	1729915	02-45-061-111	TUBE-SHAFT	1		
7	1731446	07-43-096-19	END PLUG ASSY-SHAFT	1		
8	1722646	07-43-096-20	END PLUG ASSY-SHAFT	1		

INTERCHANGEABILITY STATUS



ILFOLAB MG2650 Illustrated Parts Catalog



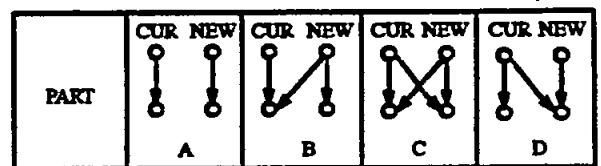
ILFOLAB MG2650 Illustrated Parts Catalog

FIGURE 7.35

Item No.	Gin No.	Kreonite Part No.	Description	Qty	Code	Int
-1		07-45-010-433	SHAFT ASSY-POLYESTER/SS 2" OD	1		
2	1767571	02-43-021-78T	GEAR-32 TOOTH	1		
3	1722086	02-43-038-1	BEARING	2		
4	1722509	07-43-012-3	SNAP RING	2		
5	1722518	07-43-012-5	SNAP RING	1		
-6	1728448	07-45-080-28P	SHAFT ASSY-W/END PLUGS	1		
7	1727586	07-45-080-12	TUBE-SHAFT	1		
8	1721216	K6-5048-14	SOCK-POLYESTER 2" OD (SEE NOTE 1)	A/R		
9	1722682	07-45-080-8	END PLUG ASSY-SHAFT	1		
10	1728585	07-45-080-7	END PLUG ASSY-SHAFT	1		
11	1722499	07-43-011-1	RING-SOCK RETAINING	2		

NOTE 1: Specify length in feet.

INTERCHANGEABILITY STATUS



ILFOLAB MG2650 Illustrated Parts Catalog

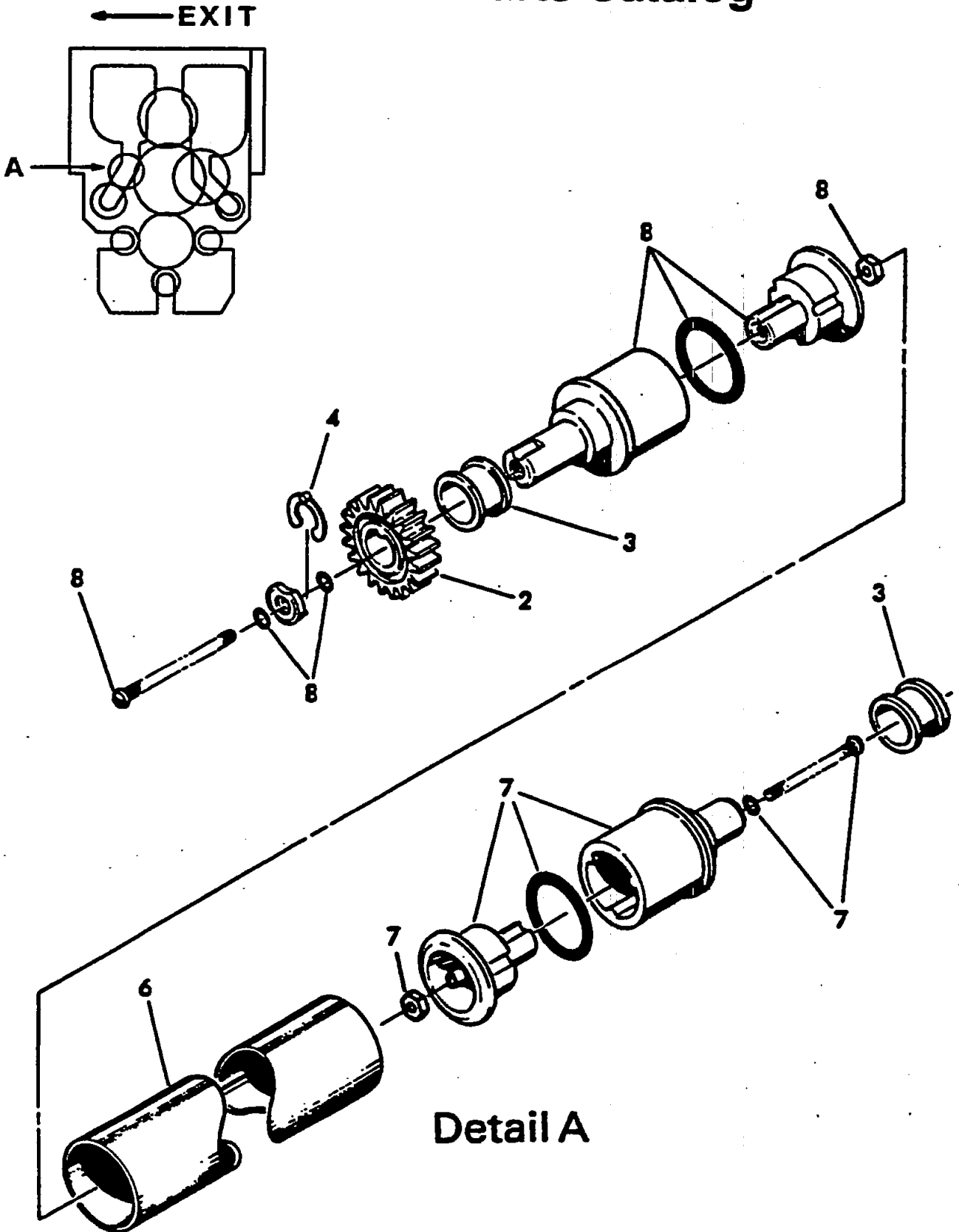


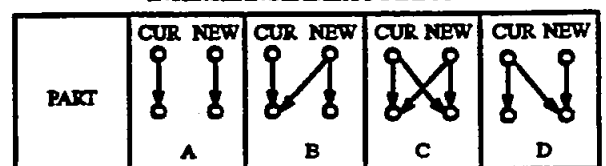
FIGURE 7.36 SHAFT ASSEMBLY-RUBBER 1-1/4" OD

ILFOLAB MG2650 Illustrated Parts Catalog

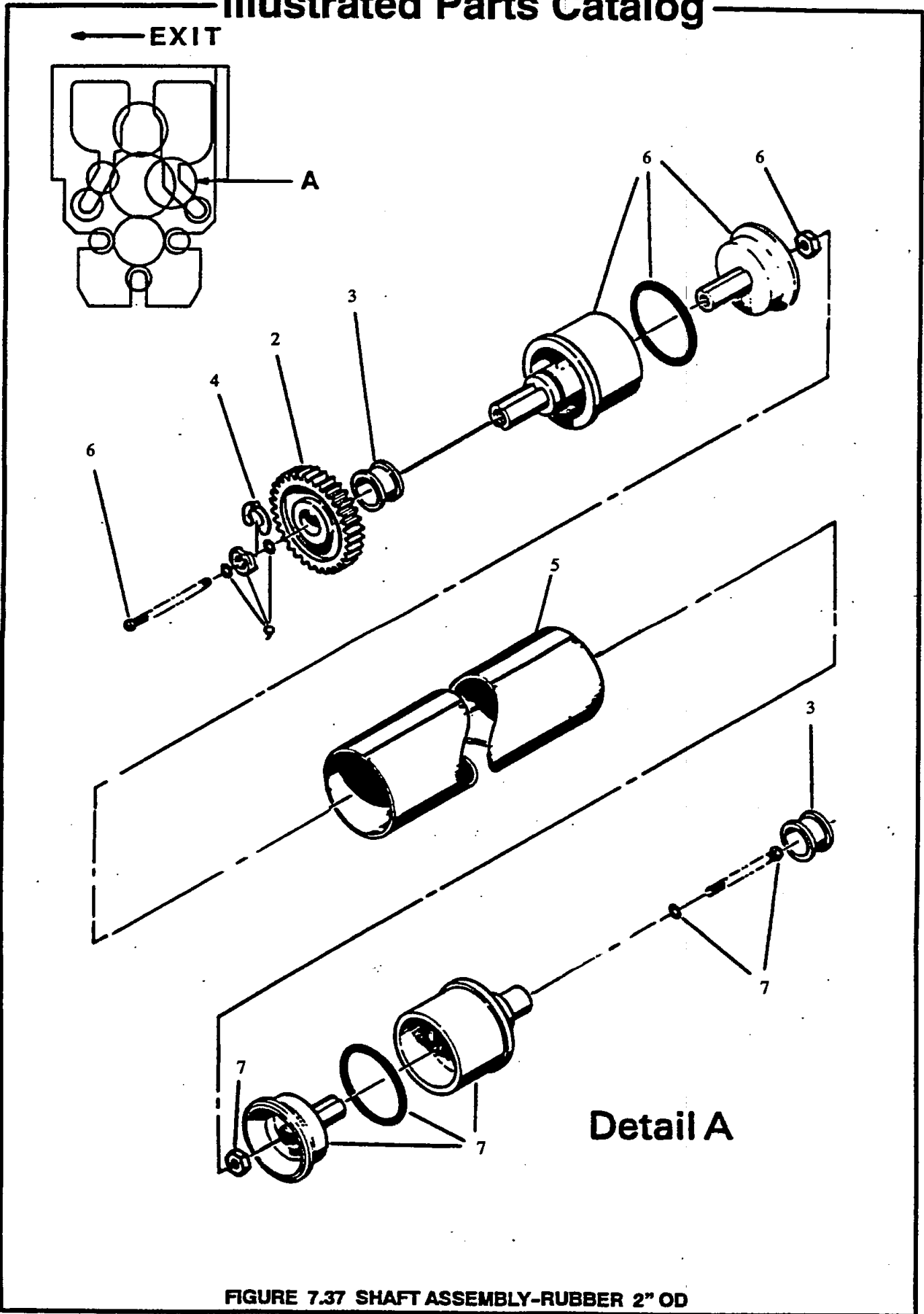
FIGURE 7.36

Item No.	Gin No.	Kreonite Part No.	Description	Qty	Code	Int
-1		07-45-010-1909	SHAFT ASSY-RUBBER COMPLETE	1		
2	1715752	02-43-021-47T	GEAR-20 TOOTH	1		
3	1722086	02-43-038-1	BEARING	2		
4	1722518	07-43-012-5	SNAP RING	1		
6	1827275	07-45-134-3	ROLLER ASSY-RUBBER 1-1/4" OD	1		
7	1722637	07-43-096-2	END PLUG ASSY-SHAFT	1		
8	1731437	07-43-096-1	END PLUG ASSY-SHAFT	1		

INTERCHANGEABILITY STATUS



ILFOLAB MG2650 Illustrated Parts Catalog

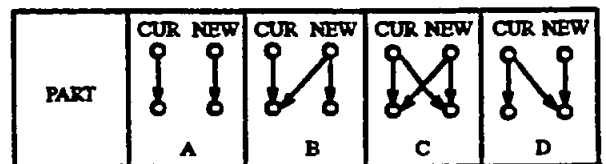


ILFOLAB MG2650 Illustrated Parts Catalog

FIGURE 7.37

Item No.	Gin No.	Kreonite Part No.	Description	Qty	Code	Int
-1		07-45-010-1910	SHAFT ASSY-RUBBER 2" COMPLETE	1		
2	1767571	02-43-021-78T	GEAR-32 TOOTH	1		
3	1715798	02-43-038-3	BEARING-GREEN	2		
4	1722518	07-43-012-5	SNAP RING	1		
5		07-45-134-10	ROLLER-RUBBER 2"	1		
6	1722682	07-45-080-8	END PLUG ASSY-SHAFT	1		
7	1728585	07-45-080-7	END PLUG ASSY-SHAFT	1		

INTERCHANGEABILITY STATUS



ILFOLAB MG2650 Illustrated Parts Catalog

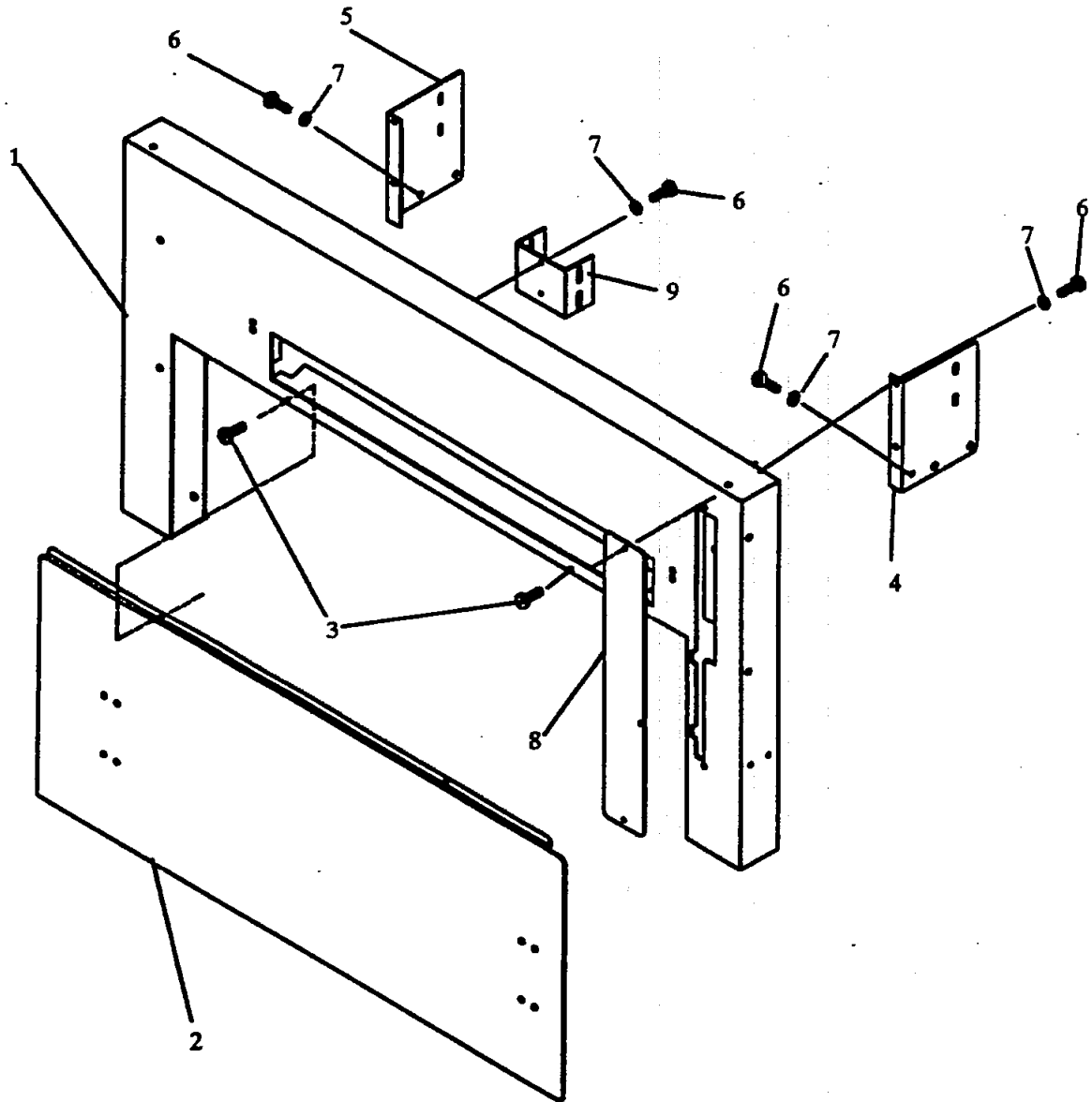


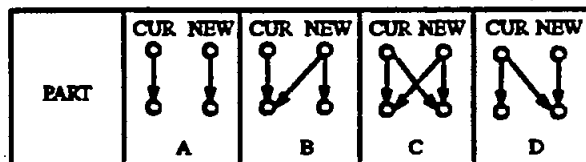
FIGURE 8.00 STRUCTURE-EXIT MODULE

ILFOLAB MG2650 Illustrated Parts Catalog

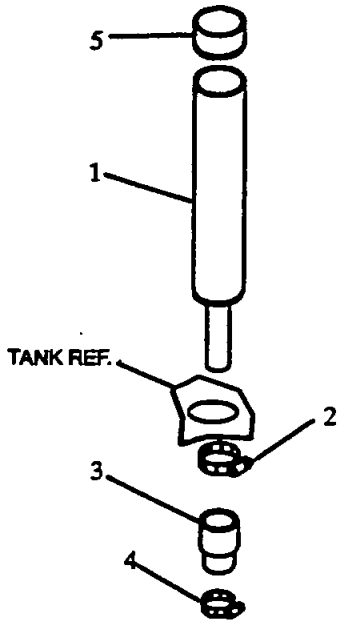
FIGURE 8.00

Item No.	Gtn No.	Kreonite Part No.	Description	Qty	Code	Int
1		07-16-504-53	PANEL ASSY-EXIT END	1		
2		07-16-504-65BL	COVER-ELECTRICAL ACCESS	1		
3	1726752	KMS6326LH	SCREW-MACH	A/R		
4		07-16-504-56	BRACKET-INTERLOCK SW/FILTER SIDE	1		
5		07-16-504-57	BRACKET-INTERLOCK SW/DRIVE SIDE	1		
6	1721537	KMS8328ES	SCREW-MACH	A/R		
7	1729227	KS-1049A06	WASHER-LOCK	A/R		
8		07-16-504-68BL	COVER-TAKE UP HOLE	1		
9		07-16-504-58	BRACKET-INTERLOCK SW/CTR	1		

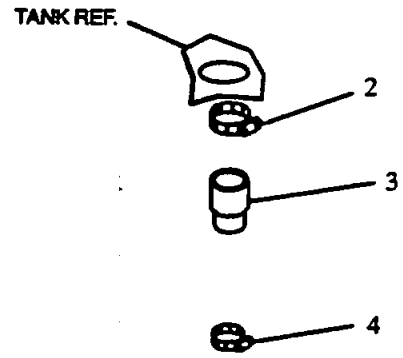
INTERCHANGEABILITY STATUS



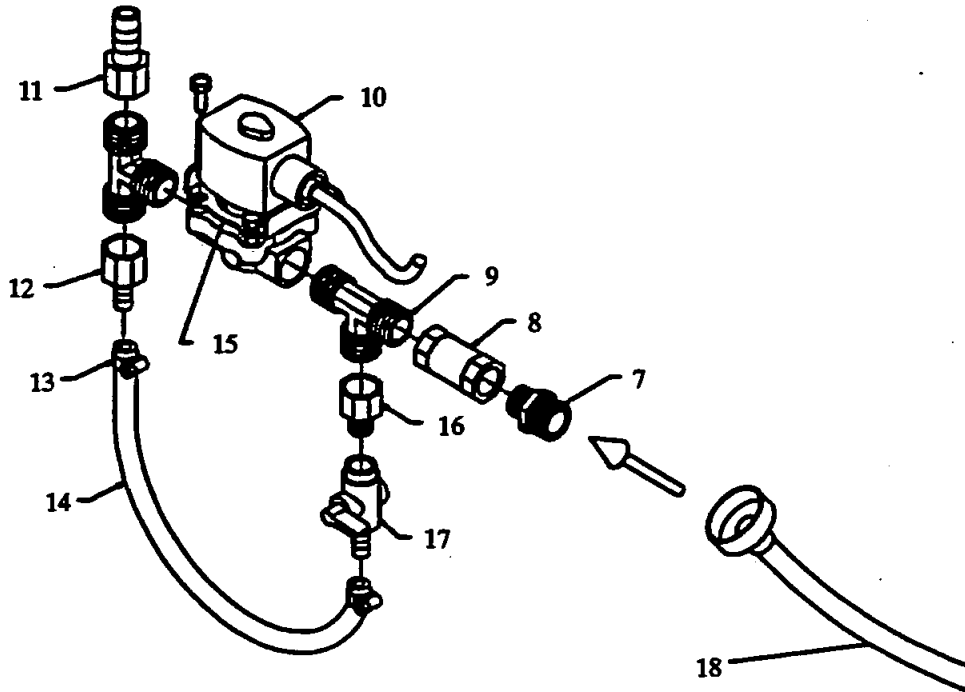
ILFOLAB MG2650 Illustrated Parts Catalog



Detail A



Detail B



Detail C

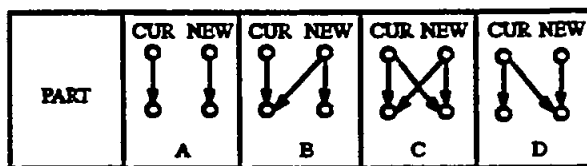
FIGURE 9.10 (1 OF 2) TANKS AND FITTINGS

ILFOLAB MG2650 Illustrated Parts Catalog

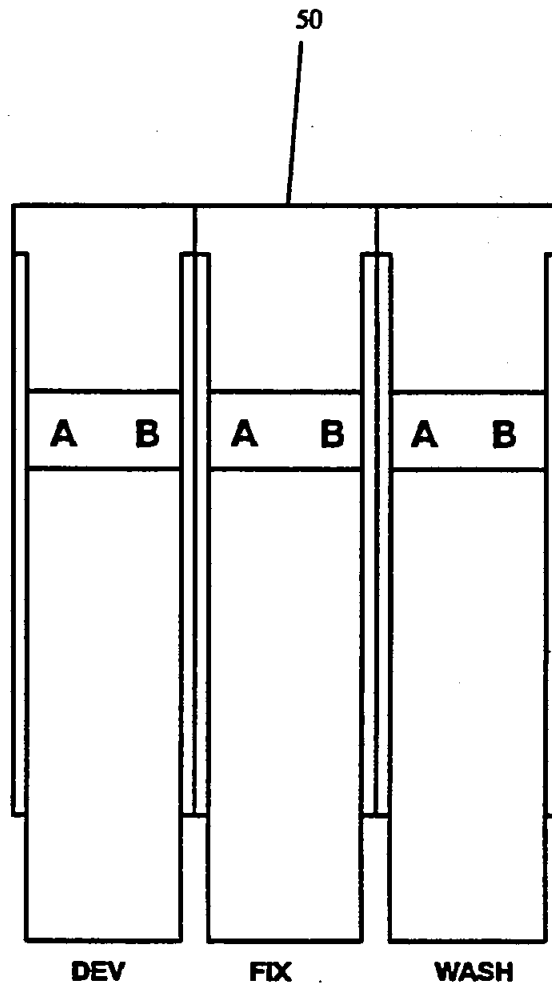
**FIGURE 9.10
(1 OF 2)**

Item No.	Gin No.	Kreonite Part No.	Description	Qty	Code	Int
1		07-23-033-25	OVERFLOW-TANK ASSY	3		
2	1721683	K2-1090-51	CLAMP-HOSE 3/4" TO 1-1/2"	A/R		
3	1753867	07-23-033-1	ADAPTOR-SLIP BOOT 1" X .75"	3		
4	1721674	K2-1090-10	CLAMP-HOSE 1/2" TO 1-1/8"	A/R		
5	1754830	07-23-010-5	ADJUSTER-OVERFLOW	3		
6						
7		K2-1024-05	ADAPTER 3/4" GHT X 1/2" NPT	1		
		K2-1024-06	ADAPTOR 3/4" BPS X 1/2" NPT	1		
8		K2-1800-03	FLOW-REGULATOR	1		
9		K2-1646-05	TEE BRASS-1/2 MPT X 1/2 MPT X 1/2 MPT	2		
10	1722316	07-25-006-54	VALVE ASSY-SOLENOID 24VDC 11.2 WAT	1		
11		K2-1007-63	ADAPTOR BRASS-1/2" HOSE X 1/2" FPT	1		
12		K2-1007-64	ADAPTOR BRASS- 3/8 HOSE X 1/2 FPT	1		
13	1721656	K2-1090-04	CLAMP-HOSE SCREW 1/4 MIN 5/8 MAX	2		
14	1737266	K2-1673BV	HOSE-VINYL 3/8" ID-3/32" WALL	1		
15		07-16-504-60	BRACKET-SOLENOID	1		
16		K2-1007-65	ADAPTOR BRASS- 1/2" FPT X 1/4 MPT	1		
17	1754528	K2-1714-10	VALVE-BALL 3/8 MIN HOSE TO 1/4 FPT	1		
18		K6-5151-01	HOSE-FILL 120" L 3/4" GHF X 3/4" GHF	1		
		K6-5151-02	HOSE-FILL 3 METERS LG 3/4" BPS	1		
-19		07-26-004-76	SOLENOID ASSY	1		

INTERCHANGEABILITY STATUS



ILFOLAB MG2650 Illustrated Parts Catalog



NOTE: LETTER ON TANKS DEPICT FITTINGS.
SEE PAGE 9.1 FOR MATCHING LETTER
CODED DETAILS OF FITTINGS.

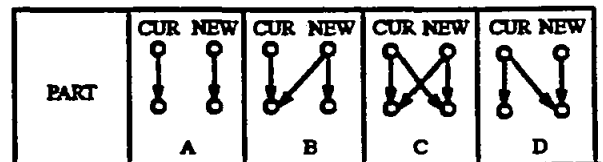
FIGURE 9.10 (2 OF 2) TANKS AND FITTINGS

ILFOLAB MG2650 Illustrated Parts Catalog

**FIGURE 9.10
(2 OF 2)**

Item No.	Gin No.	Kreonite Part No.	Description	Qty Code Int
50		07-23-016-1071	TANK ASSY- W/O FITTINGS	1

INTERCHANGEABILITY STATUS



ILFOLAB MG2650 Illustrated Parts Catalog

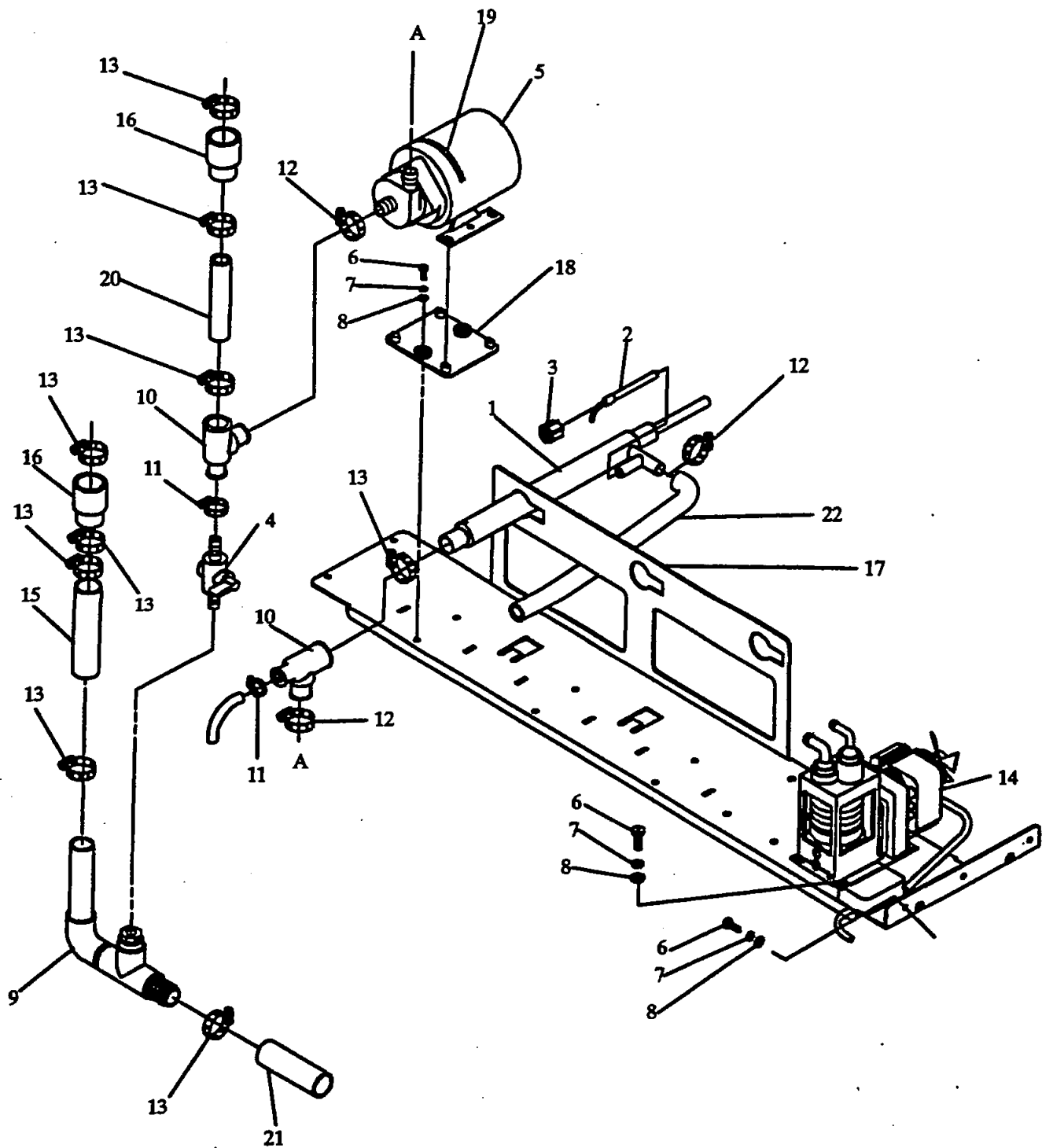


FIGURE 9.20 PUMP ASSEMBLY

ILFOLAB MG2650 Illustrated Parts Catalog

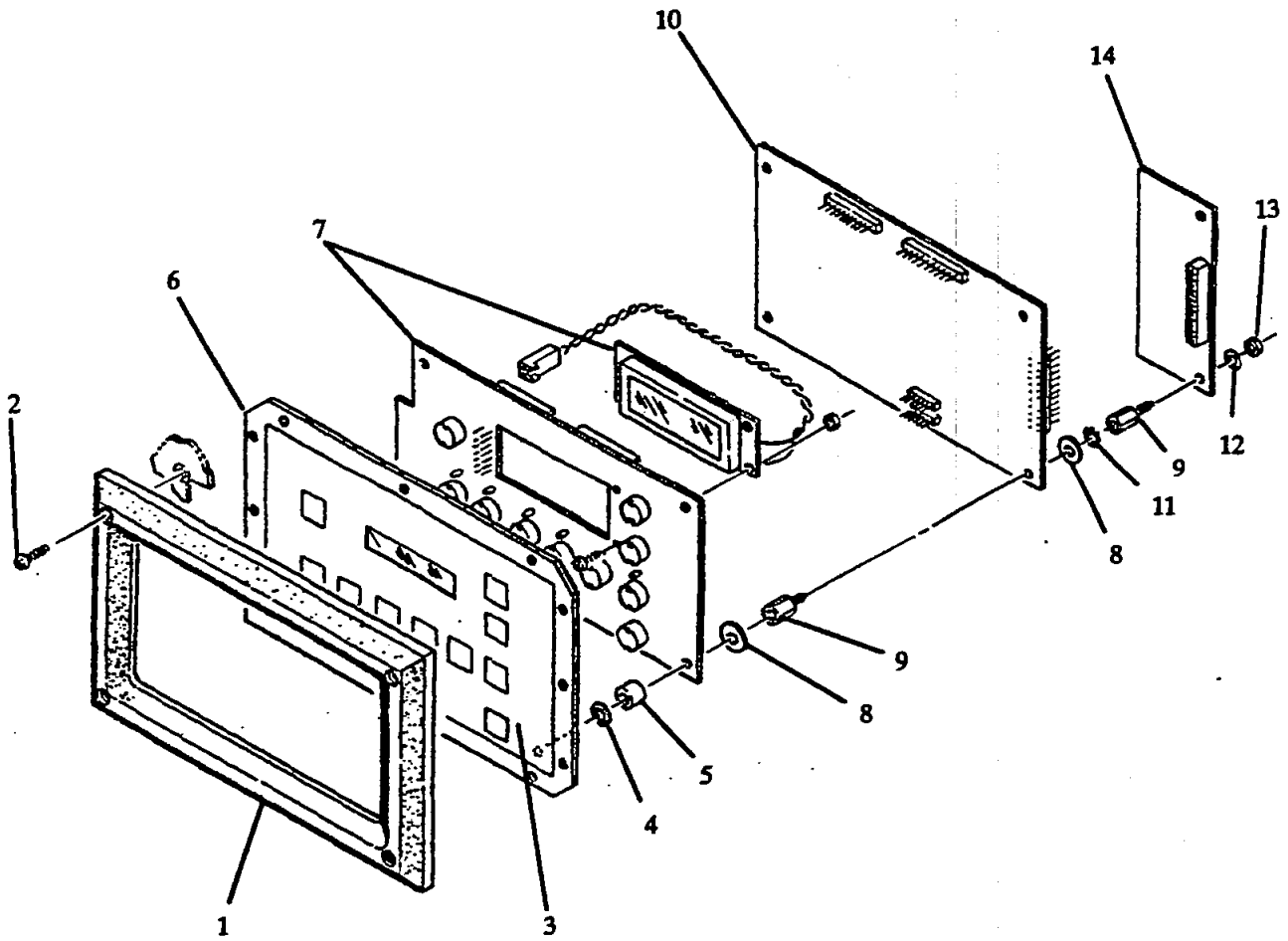


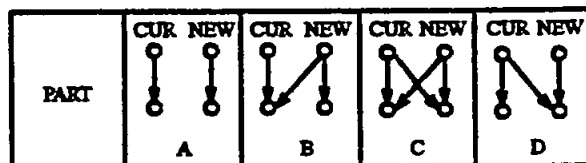
FIGURE 10.05 CONTROL PANEL-FEED END

ILFOLAB MG2650 Illustrated Parts Catalog

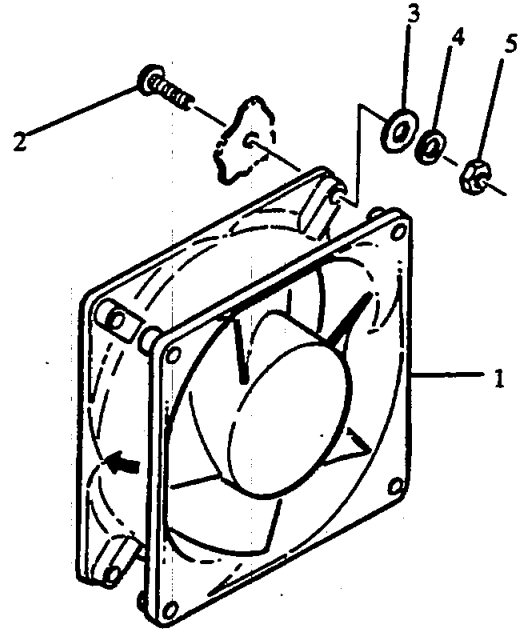
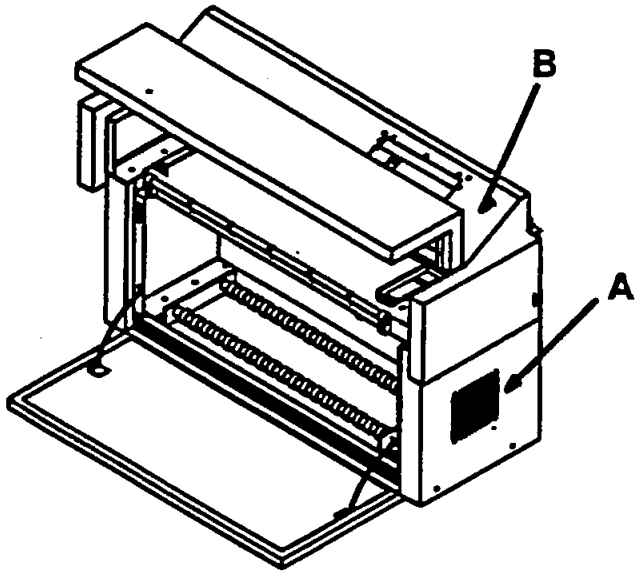
FIGURE 10.05

Item No.	Gin No.	Kreonite Part No.	Description	Qty	Code	Int
1	1767672	07-16-501-58	BEZEL-DISPLAY	1		
2	1726808	KMS83210LH	SCREW-MACH	4		
3	1767526	K5-1953-579	LABLE-KEYBOARD	1		
4	1729209	K5-1048A03	WASHER-LOCK	4		
5		K4-1362-112	SPACER-NYLON	4		
6	1767672	07-16-501-55	PLATE ASSY-KEYBOARD	1		
7		07-35-305-53	PC BOARD-KEYBOARD	1		
8	1767517	K5-1051-01	WASHER-FIBER	4		
9	1729108	K4-1362-79	SPACER-BRASS	6		
10		07-35-284-57	PC BOARD-CPU	1		
11	1729218	K5-1049A05	WASHER-LOCK	6		
12	1721867	K5-1047B05	WASHER-LOCK	4		
13	1726918	KN632ZP	NUT-HEX	4		
14		07-39-16-01	MEMORY MODULE ASSY	1		

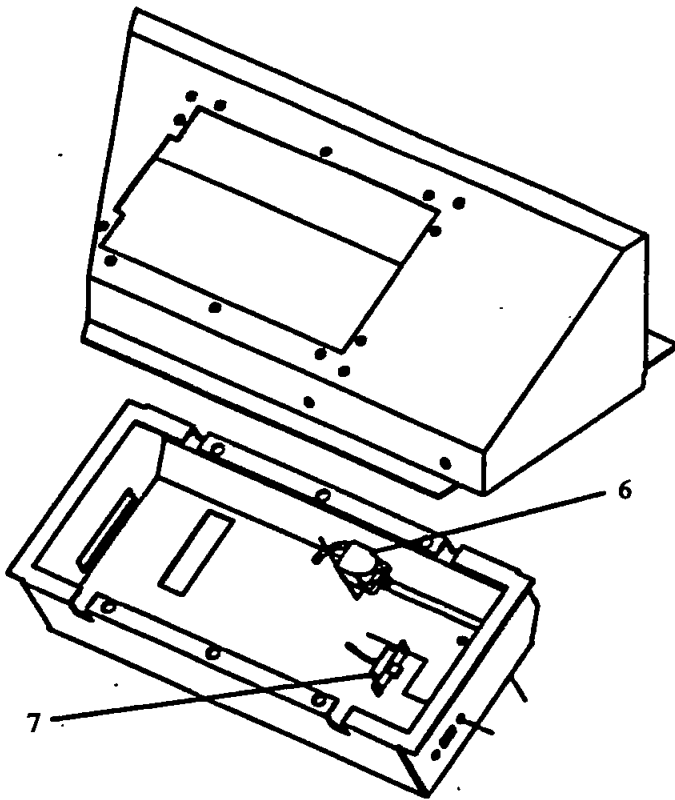
INTERCHANGEABILITY STATUS



ILFOLAB MG2650 Illustrated Parts Catalog



Detail A



Detail B

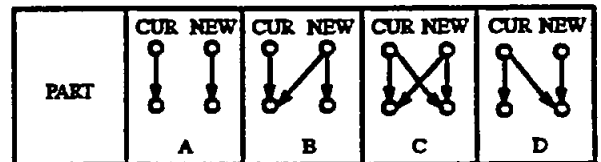
FIGURE 10.10 FAN INSTALLATION-AXIAL

ILFOLAB MG2650 Illustrated Parts Catalog

FIGURE 10.10

Item No.	Gin No.	Kreonite Part No.	Description	Qty	Code	Int
1		K4-1119-58	(CE) FAN	1		
2	1726770	KMS6328ES	SCREW-MACH	4		
3	1721894	K5-1050A04E	WASHER-FLAT	4		
4	1721867	K5-1047B05	WASHER-LOCK	4		
5	1721564	KN632US	NUT-HEX	4		
6	1722361	07-35-293-3	ALARM ASSY, EXIT END	1		
7	1767791	07-35-309-31	SWITCH ASSY, BACKLITE	1		
8	1767407	KMS44012AS	SCREW, MACHINE 4-40 X 3/4	2		
9	1767508	K5-1048A02	WASHER, LOCK	2		
10	1767416	KN440US	NUT, HEX	2		

INTERCHANGEABILITY STATUS



ILFOLAB MG2650 Illustrated Parts Catalog

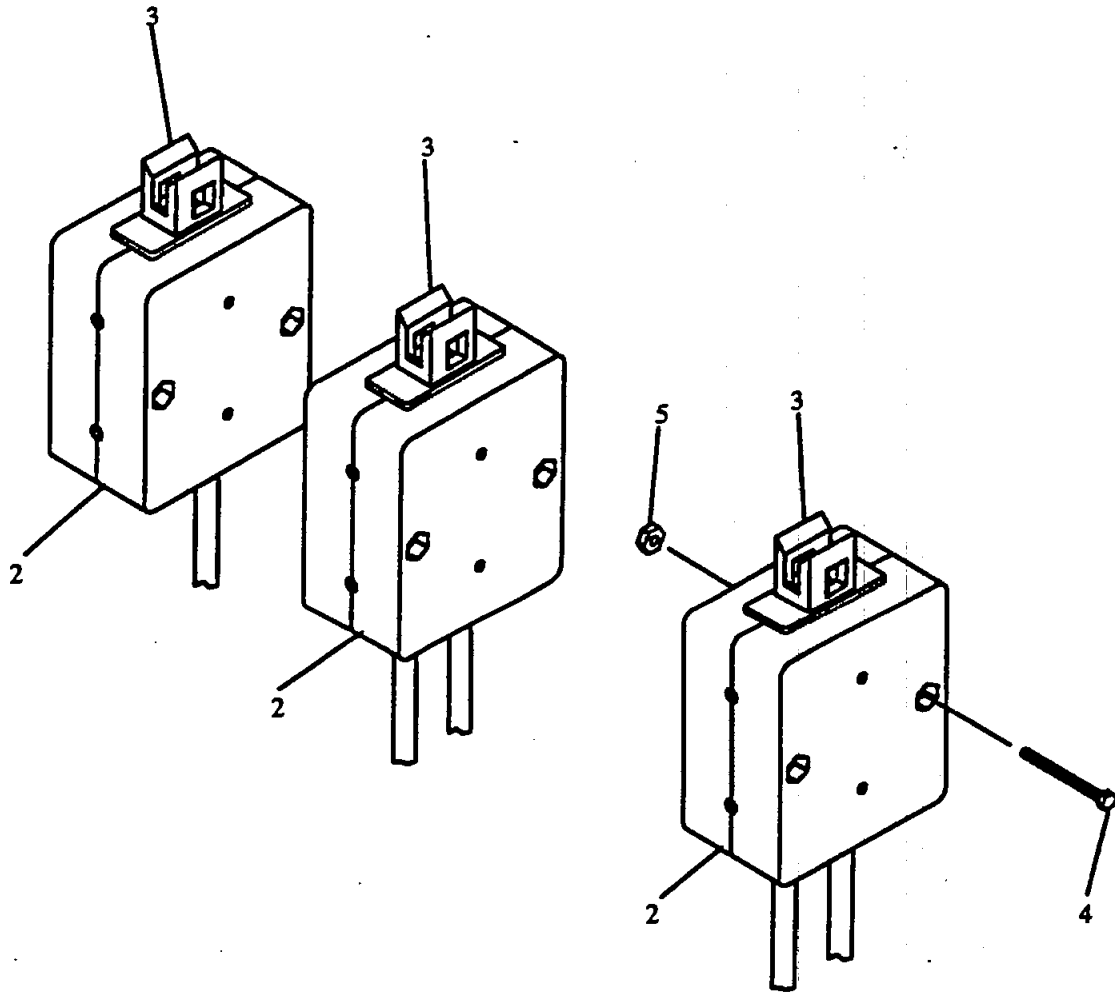


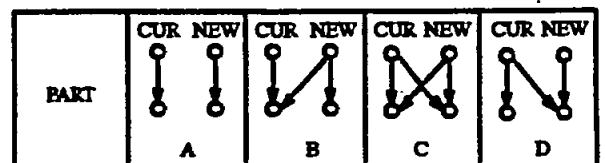
FIGURE 10.20 SWITCHES-INTERLOCK

ILFOLAB MG2650 Illustrated Parts Catalog

FIGURE 10.20

Item No.	Gin No.	Kreonite Part No.	Description	Qty	Code	Int
-1		07-35-340-41	SWITCH ASSY-INTERLOCK (COMPLETE)	1		
2		40-43-004-109	BOX-INTERLOCK SWITCH	6		
3		K4-1365-04	SWITCH-LINE INTERRUPT	3		
4	1721472	KMS63220ES	SCREW-MACH 6-32 X 1-1/4" SS	6		
5	1721564	KN632US	NUT-HEX 6-32 SS	6		

INTERCHANGEABILITY STATUS



ILFOLAB MG2650 Illustrated Parts Catalog

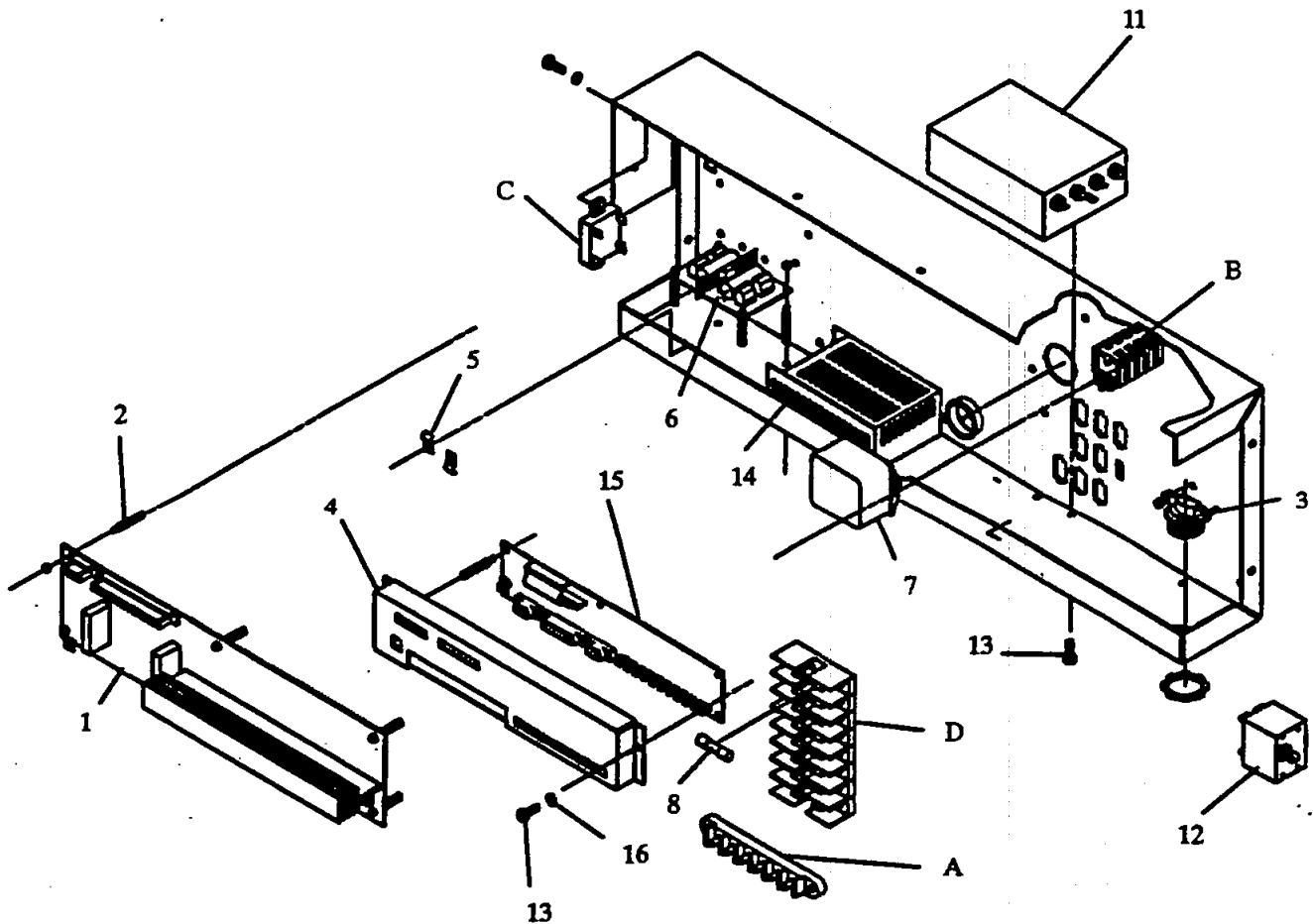


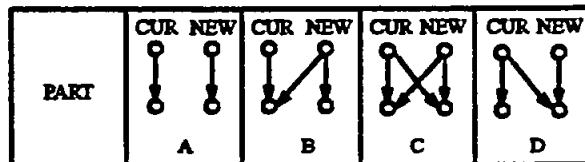
FIGURE 10.30 (1 OF 2) PANEL ASSEMBLY-POWER DISTRIBUTION

ILFOLAB MG2650 Illustrated Parts Catalog

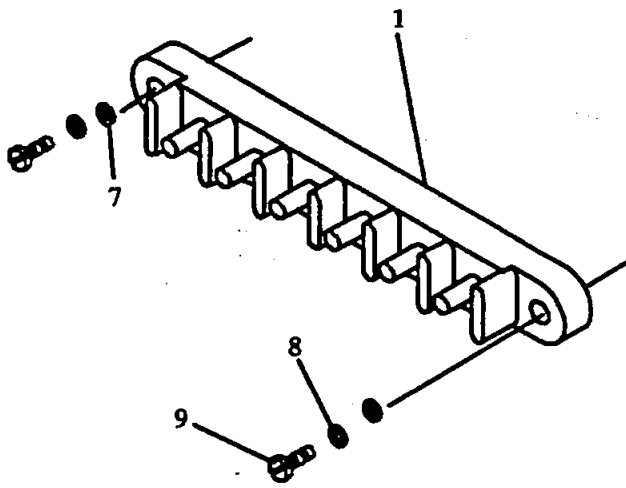
**FIGURE 10.30
(1 OF 2)**

Item No.	Gin No.	Kreonite Part No.	Description	Qty.	Code	Int
1		07-35-339-59	PC BOARD-POWER DIST.	1		
2	1729108	K4-1362-79	SPACER-BRASS #6	12		
3		K4-1020-14	FITTING-CONDUIT	1		
4		21-15-024-49	COVER-CPU CONTROLS	1		
5		K2-1099-09	CLAMP-METAL LARGE	9		
6		07-35-345-53	12 VDC-DRYER FAN POWER SUPPLY	1		
7	1760604	K4-1013-07	FILTER-LINE	1		
8	1715596	K4-1122-56	FUSE-25 AMP	6		
	1737284	K4-1122-57	FUSE-15 AMP	2		
		K4-1122-50	FUSE-3.2 AMP	1		
11		K4-1013-11	FILTER-MULTIPHASE LINE	1		
12		07-35-353-11	C.B.-ASSY	1		
13		KMMS5.88EP	SCREW-METRIC, MACH 5.8	2		
14		07-35-353-3	POWER SUPPLY	1		
15		07-35-338-54	PC BOARD- I/O	1		
16	1721885	K5-1047B07	WASHER-SPRING LOCK	2		

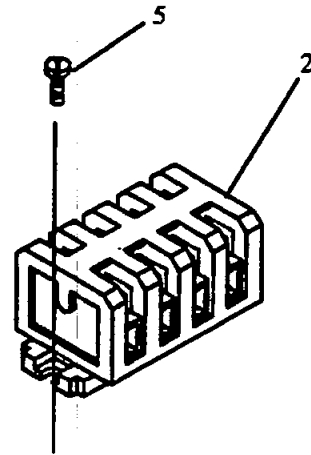
INTERCHANGEABILITY STATUS



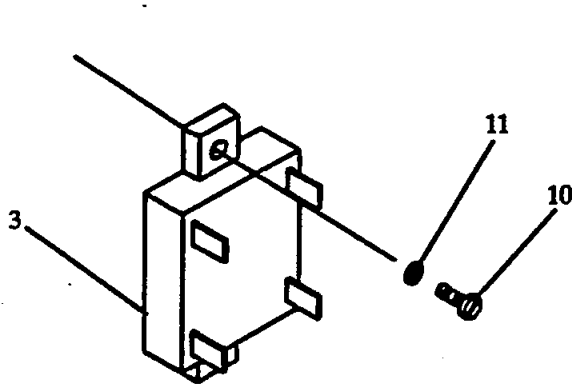
ILFOLAB MG2650 Illustrated Parts Catalog



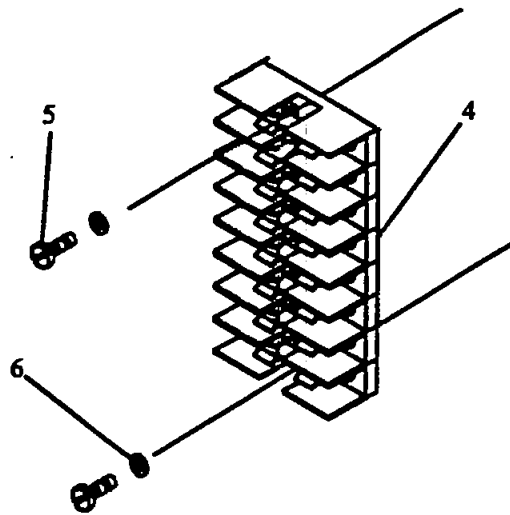
Detail A



Detail B



Detail C



Detail D

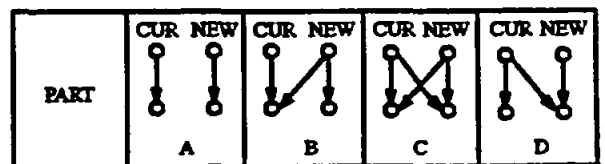
FIGURE 10.30 (2 OF 2) PANEL ASSEMBLY-POWER DISTRIBUTION

ILFOLAB MG2650 Illustrated Parts Catalog

**FIGURE 10.30
(2 OF 2)**

Item No.	Gin No.	Kreonite Part No.	Description	Qty	Code	Int
1		K4-1422-08	BLOCK-TERMINAL #10 STUD TYPE	1		
2	1751787	K4-1421-10	BLOCK-TERMINAL, END SECTION	1		
	1759284	K4-1421-09	BLOCK-TERMINAL, CONTACT SECTION	2		
3		K4-1329-20	RELAY-SSR, 240 VAC	1		
4	1715615	K4-1124-04	HOLDER-FUSE	8		
5	1726743	KMS6326ES	SCREW-MACH #6	3		
6	1721894	K5-1050A04E	WASHER-FLAT #6	2		
7	1729227	K5-1049A06	WASHER-LOCK EXTERNAL TOOTH #8	2		
8	1721906	K5-1050B05E	WASHER-FLAT #8	2		
9	1726798	KMS83210ES	SCREW-MACH #8	2		
10	1726716	KMS6325ES	SCREW-MACH #6	2		
11	1729218	K5-1049A05	WASHER-LOCK EXTERNAL TOOTH #6	2		

INTERCHANGEABILITY STATUS



ILFOLAB MG2650 Illustrated Parts Catalog

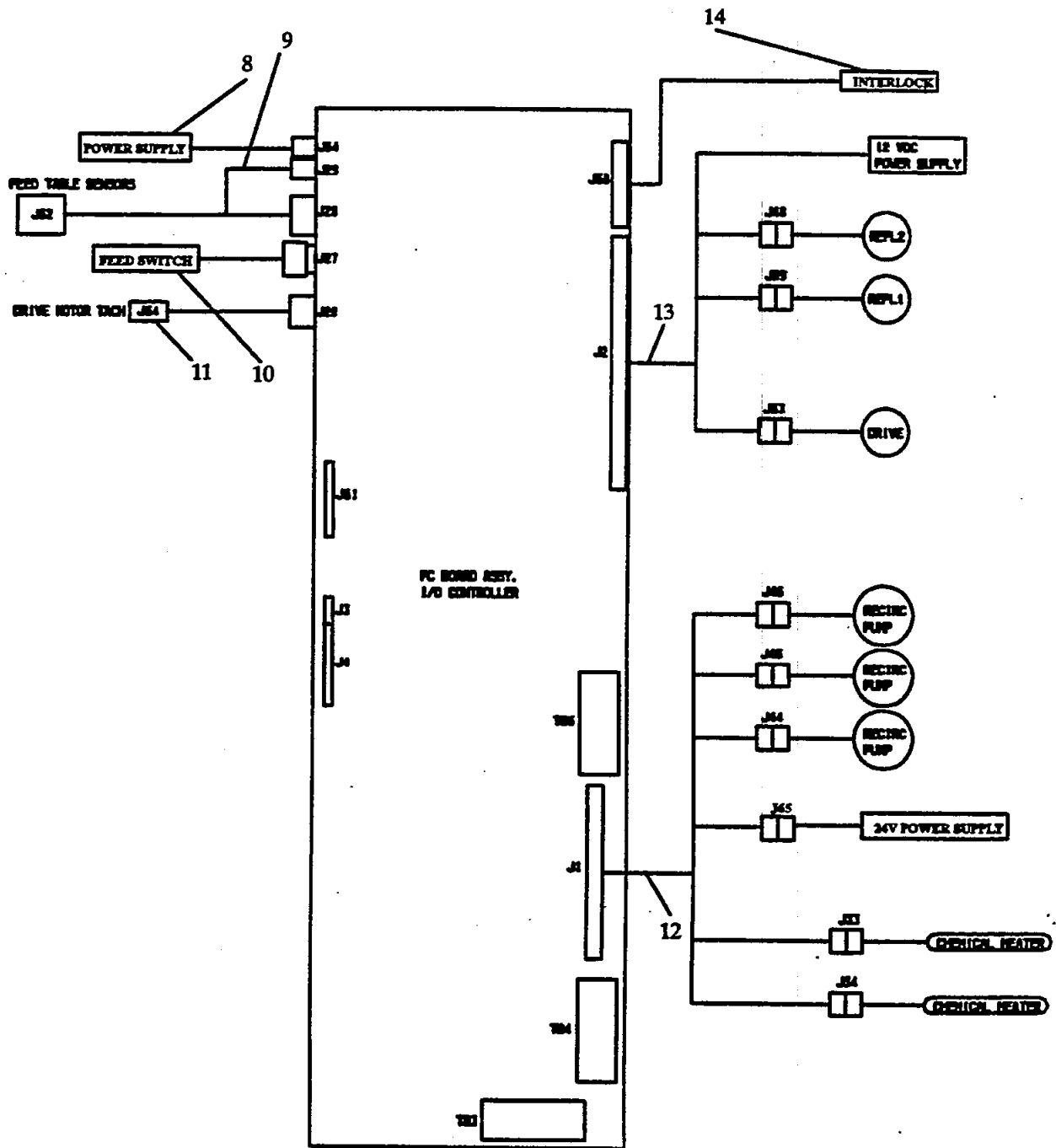


FIGURE 10.90 (1 OF 2) CABLE ASSEMBLIES-ELECTRICAL

ILFOLAB MG2650 Illustrated Parts Catalog

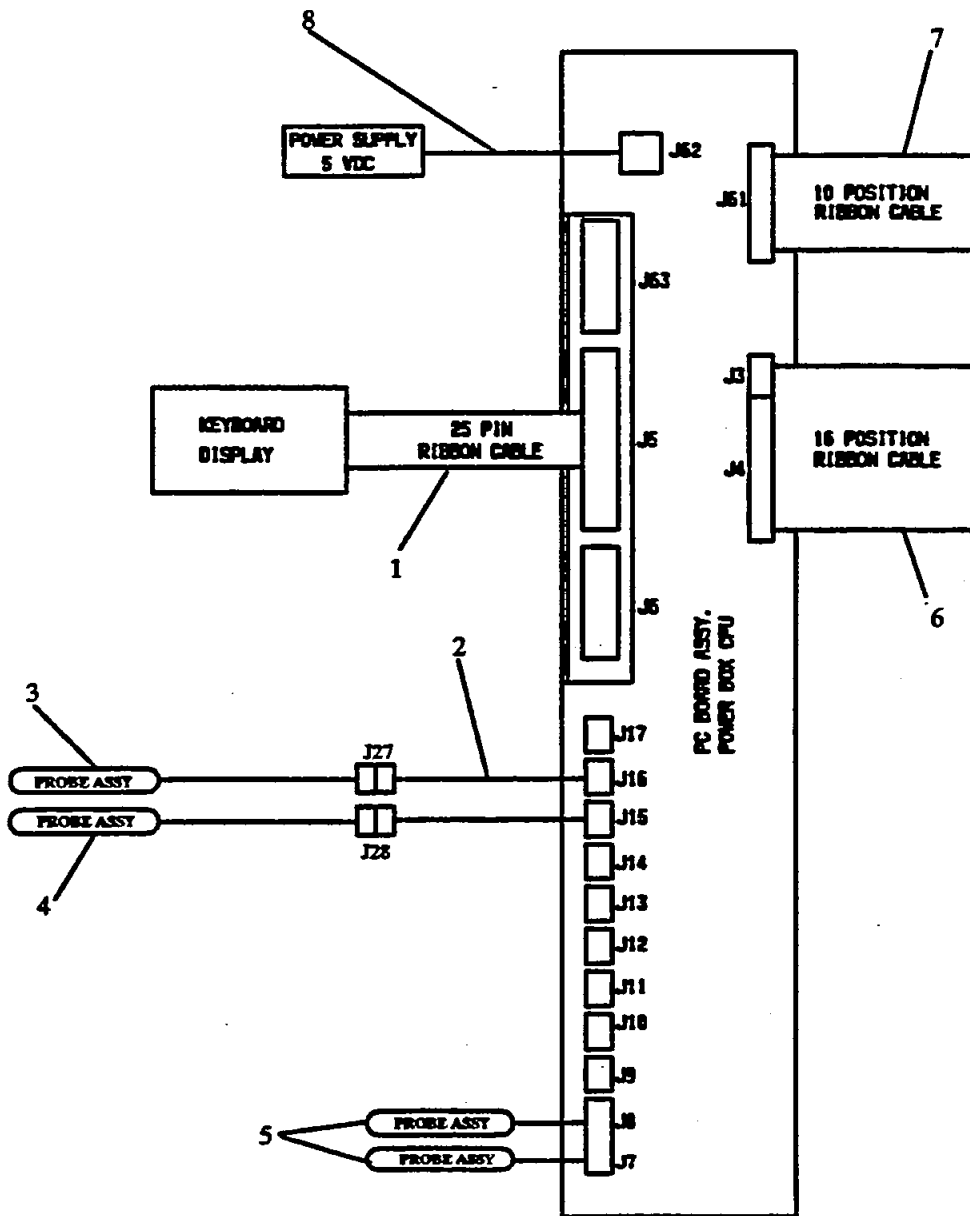


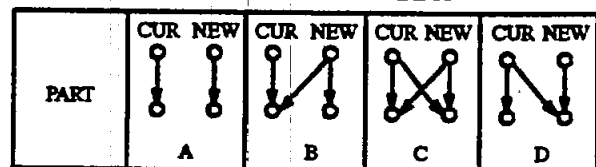
FIGURE 10.90 (2 OF 2) CABLE ASSEMBLIES-ELECTRICAL

ILFOLAB MG2650 Illustrated Parts Catalog

FIGURE 10.90
(1, 2 OF 2)

Item No.	Gin No.	Kreonite Part No.	Description	Qty	Code	Int
1		07-35-349-9	CABLE ASSY-KEYBOARD CONTROL	1		
2		07-35-353-10	CABLE ASSY-TEMP PROBE EXT.	2		
3	1751493	07-35-294-24	PROBE ASSY-DRYER	1		
4		07-35-294-40	PROBE ASSY-DRYER	1		
5		07-35-353-7	PROBE ASSY-CHEM	2		
6		K4-1559-03	CABLE ASSY-RIBBON 16 POS.	1		
7		K4-1559-04	CABLE ASSY- RIBBON 10 POS.	1		
8		07-35-353-8	CABLE ASSY-POWER SUPPLY	1		
9		07-35-340-38	HARNESS ASSY-REFLECT SYSTEM	1		
10		07-35-330-41	SWITCH ASSY-FEED END	1		
11		07-35-340-37	CABLE ASSY-TACH ILFORD	1		
12		07-35-353-5	CABLE ASSY-RECIR. HEATER	1		
13		07-35-353-4	CABLE ASSY-MOTOR REPLEN. WASH	1		
14		07-35-340-41	CABLE ASSY-INTERLOCK	1		

INTERCHANGEABILITY STATUS



ILFOLAB MG2650 Illustrated Parts Catalog

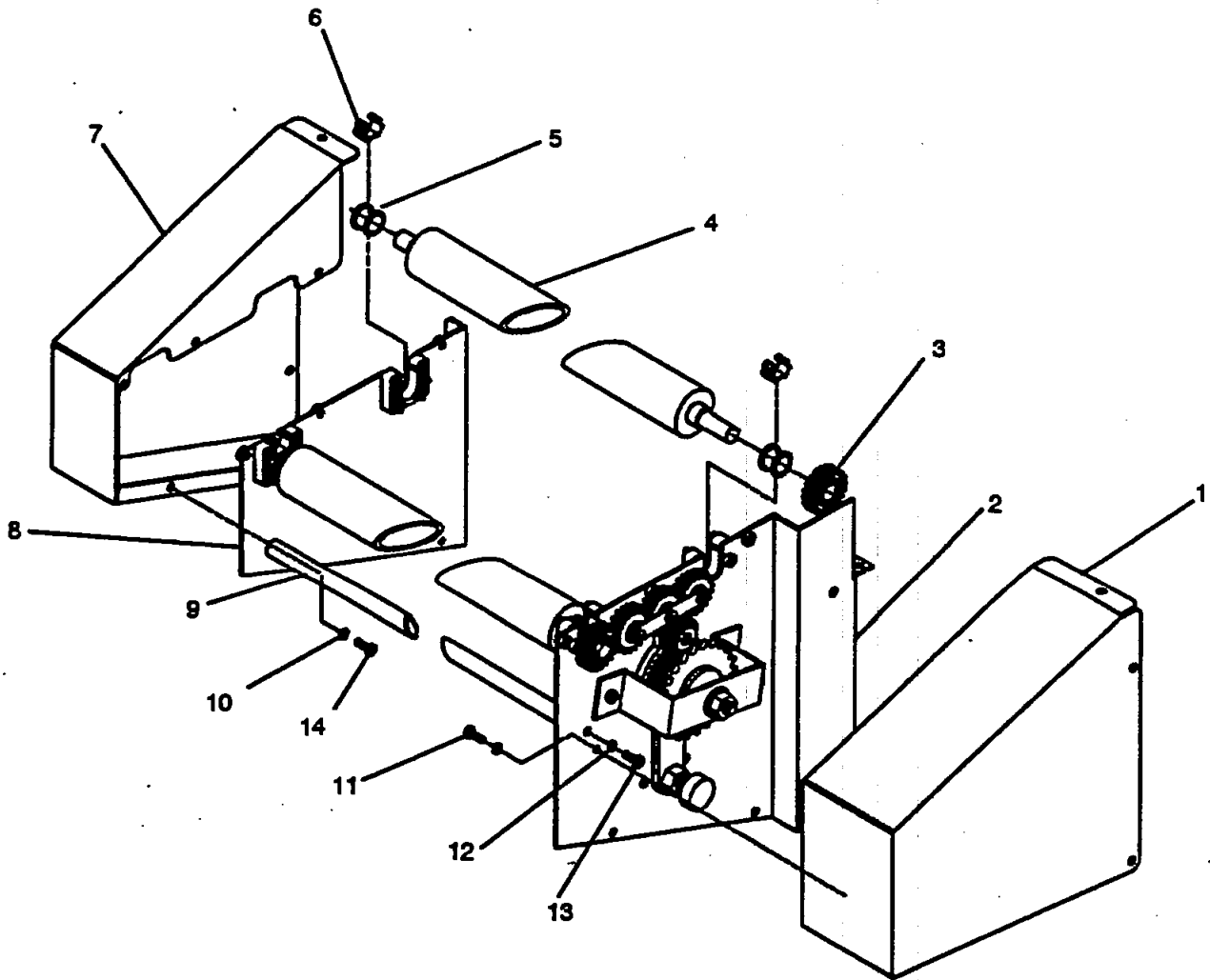


FIGURE 8.10 (1 OF 3) ROLL TAKE-UP ASSEMBLY

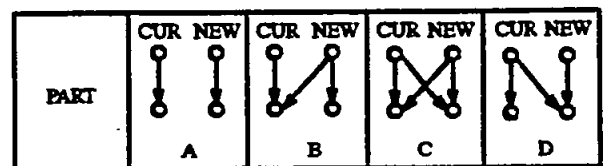
ILFOLAB MG2650

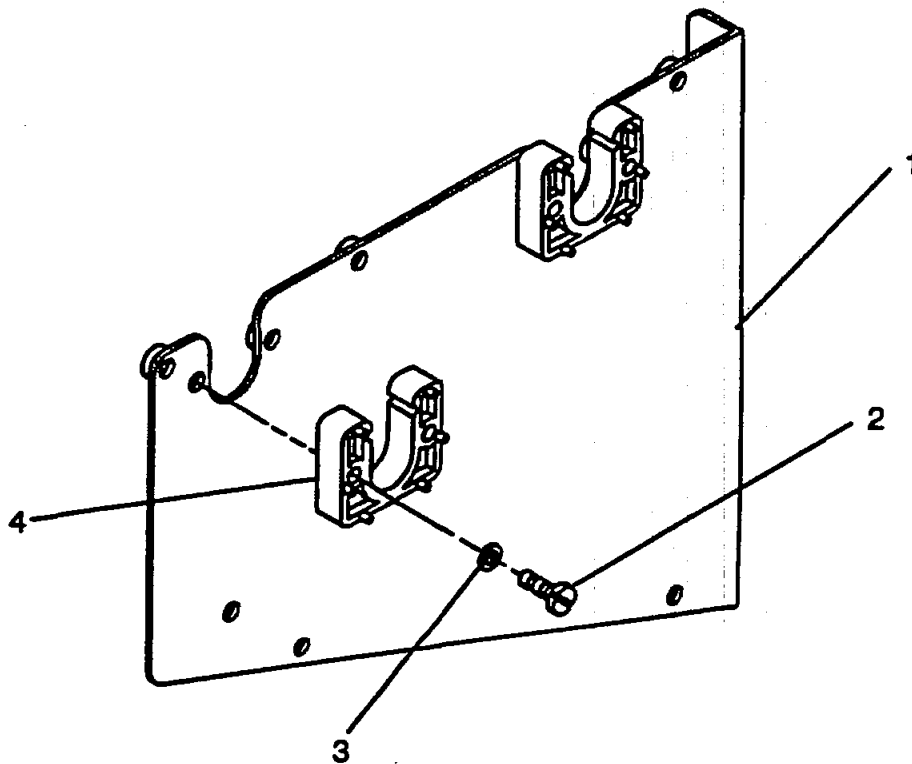
Illustrated Parts Catalog

FIGURE 8.10
(2 OF 3)

Item No.	Gin No.	Kreonite Part No.	Description	Qty	Code	Int
1	1721885	K5-1047B07	WASHER-LOCK SPRING #10 SS	2		
2	1726523	KMS103210ES	SCREW-MACH 8-32 X 5/8" PAN	2		
3	1721555	KN3/816US	NUT-3/8-16 HEX MACH	1		
4		K5-1050A09E	WASHER-FLAT 3/8	1		
5		07-16-504-67	BRACE-TAKE-UP DRIVE GEAR	1		
6		K2-2481-02	PLUNGER-HAND	1		
7		KN1/213UP	NUT-1/2 -13 HEX MACH	1		
8		07-16-501-304	ASSY-BEARING ROLL TAKE-UP	1		
9	1722480	07-43-010-5	GEAR SPROCKET- KMII-A TAKE-UP	1		
10	1726550	KMS103212ES	SCREW-MACH 10-32 X 3/4" PAN	1		
11		02-43-067-11	IDLER STUD	1		
12	1754573	02-43-021-19T	GEAR-17 TOOTH 3/8 FACE NO/KEY	1		
13		07-16-504-63	BRACKET-TAKE-UP DRIVE SIDE	1		
14	1721876	K5-1047B06	WASHER-LOCK SPRING NO. 8 SS	3		
15	1721573	KN832US	NUT- 8-32 HEX MACH	3		
16	1726798	KMS83210ES	SCREW-MACH 8-32 X 5/8" PAN	4		
17	1721876	K5-1047B06	WASHER-LOCK SPRING NO 8	4		
18	1754638	07-13-046-4	ENDPLATE- ROLL TAKE-UP	2		
19	1722114	02-43-066-4	WASHER	6		
20	1754582	02-43-021-23T	GEAR-20 TOOTH 3/8 FACE	3		
21	1754609	02-43-067-4	BEARING PIN IDLER GEAR	3		
22		07-16-501-299	IDLER STABILIZER-ROLL TAKE-UP	1		
23	1721500	KMS83216ES	SCREW-MACH 8-32 X 1" PAN	3		
24		07-16-501-300	ACTUATOR ARM -TAKE-UP ROLL	1		
-25		07-46-076-65	TAKE-UP ASSY	1		

INTERCHANGEABILITY STATUS





Detail B

FIGURE 8.10 (3 OF 3) ROLL TAKE-UP ASSEMBLY

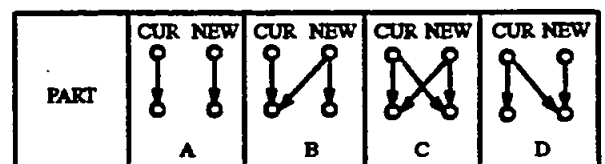
ILFOLAB MG2650

Illustrated Parts Catalog

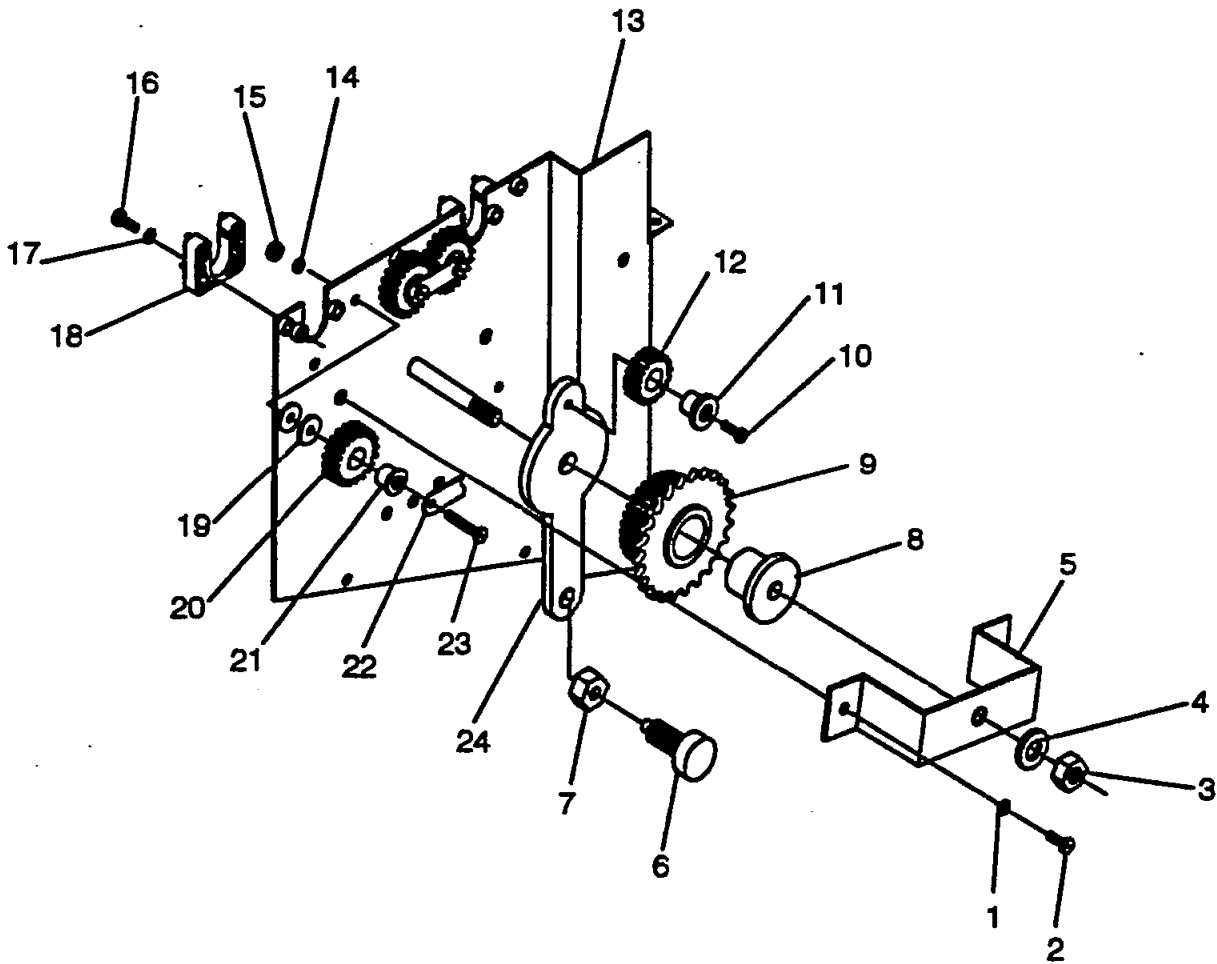
FIGURE 8.10
(1 OF 3)

Item No.	Gin No.	Kreonite Part No.	Description	Qty	Code	Int
1		07-16-504-61BL	COVER-TAKE-UP DRIVE SIDE	1		
2		07-46-076-65	BRACKET ASSY- TAKE-UP DRIVE SIDE	1		
3	1715752	02-43-021-47T	GEAR-20 TOOTH 3/8 FACE W/KEY	2		
4		02-45-062-36	ROLLER ASSY-A6" ES TO L	2		
5	1722086	02-43-038-1	BEARING-END PLATE	4		
6	1722233	02-83-053-1	CLIP-SHAFT RETAINER	4		
7		07-16-504-62BL	COVER-TAKE-UP FILTER SIDE	1		
8		07-46-076-66	BRACKET ASSY-TAKE-UP OPP SIDE	1		
9		02-45-013-39	ROD ASSY-SPACER 20	1		
10	1721876	K5-1047B06	WASHER-LOCK SPRING NO 8 SS	10		
11	1721537	KMS8328ES	SCREW-MACH 8-32 X 1/2" PAN	10		
12	1721885	K5-1047B07	WASHER-LOCK SPRING NO 10 SS	2		
13	1726615	KMS10328ES	SCREW-MACH 10-32 X 1/2" PAN	2		
14		KMS8326LH	SCREW-MACH 8-32 X 3/8" PAN	16		

INTERCHANGEABILITY STATUS



ILFOLAB MG2650 Illustrated Parts Catalog



Detail A

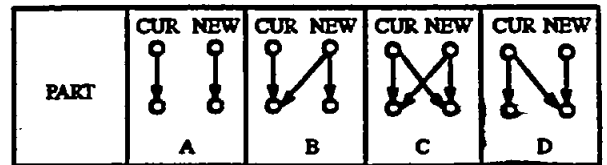
FIGURE 8.10 (2 OF 3) ROLL TAKE-UP ASSEMBLY

ILFOLAB MG2650 Illustrated Parts Catalog

**FIGURE 8.10
(3 OF 3)**

Item No.	Gin No.	Kreonite Part No.	Description	Qty	Code	Int
1		07-16-504-64BL	BRACKET-TAKE-UP FILTER SIDE	1		
2	1726798	KMS83210ES	SCREW-MACH 8-32 X 5/8" PAN	4		
3	1721876	K5-1047B06	WASHER-LOCK SPRING NO. 8	4		
4	1754638	07-13-046-4	ENDPLATE-ROLL TAKE-UP	2		

INTERCHANGEABILITY STATUS



REVISION			
LTR.	DATE	DESCRIPTION	APPR'D.

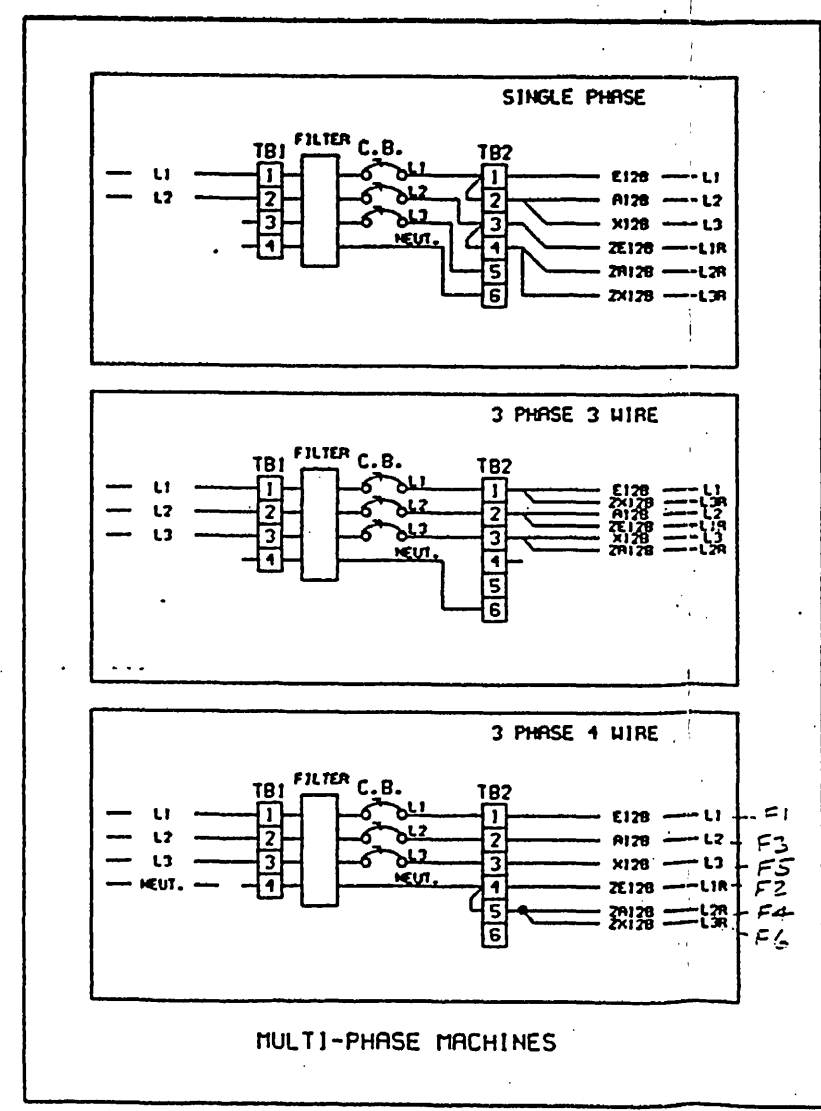
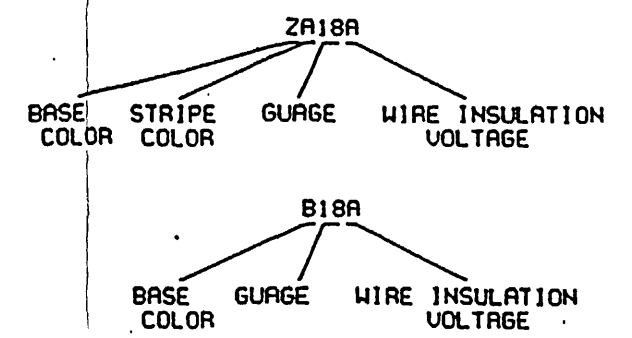
COLOR CODE CHART

- A - BLACK
- B - BROWN
- E - RED
- R - ORANGE
- S - YELLOW
- U - LT GREEN
- U - DK BLUE
- W - LT BLUE
- X - PURPLE
- Y - GRAY
- Z - WHITE

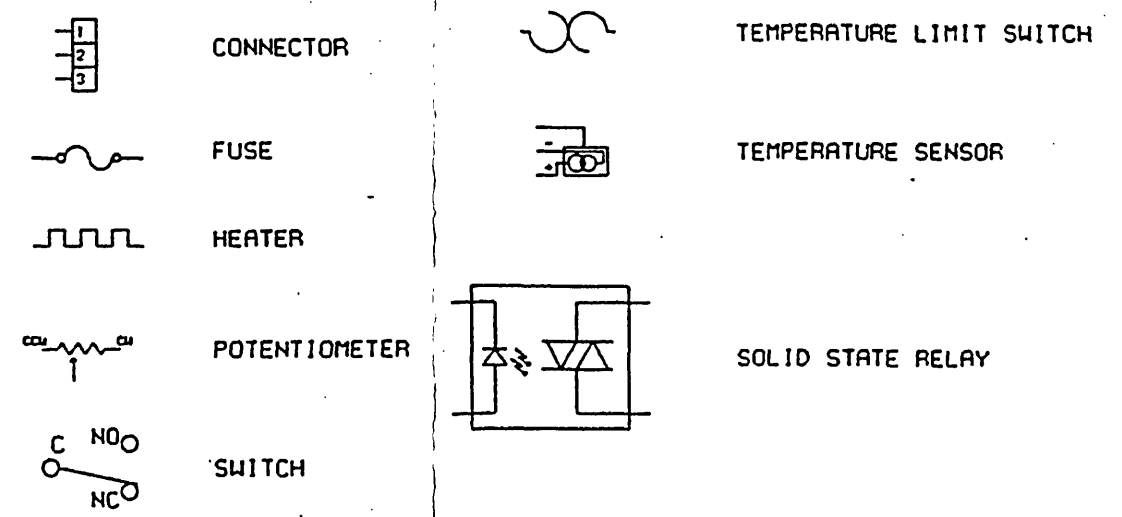
WIRE INSULATION

- A - 300 VOLT
- B - 600 VOLT

WIRE DESCRIPTION EXAMPLES

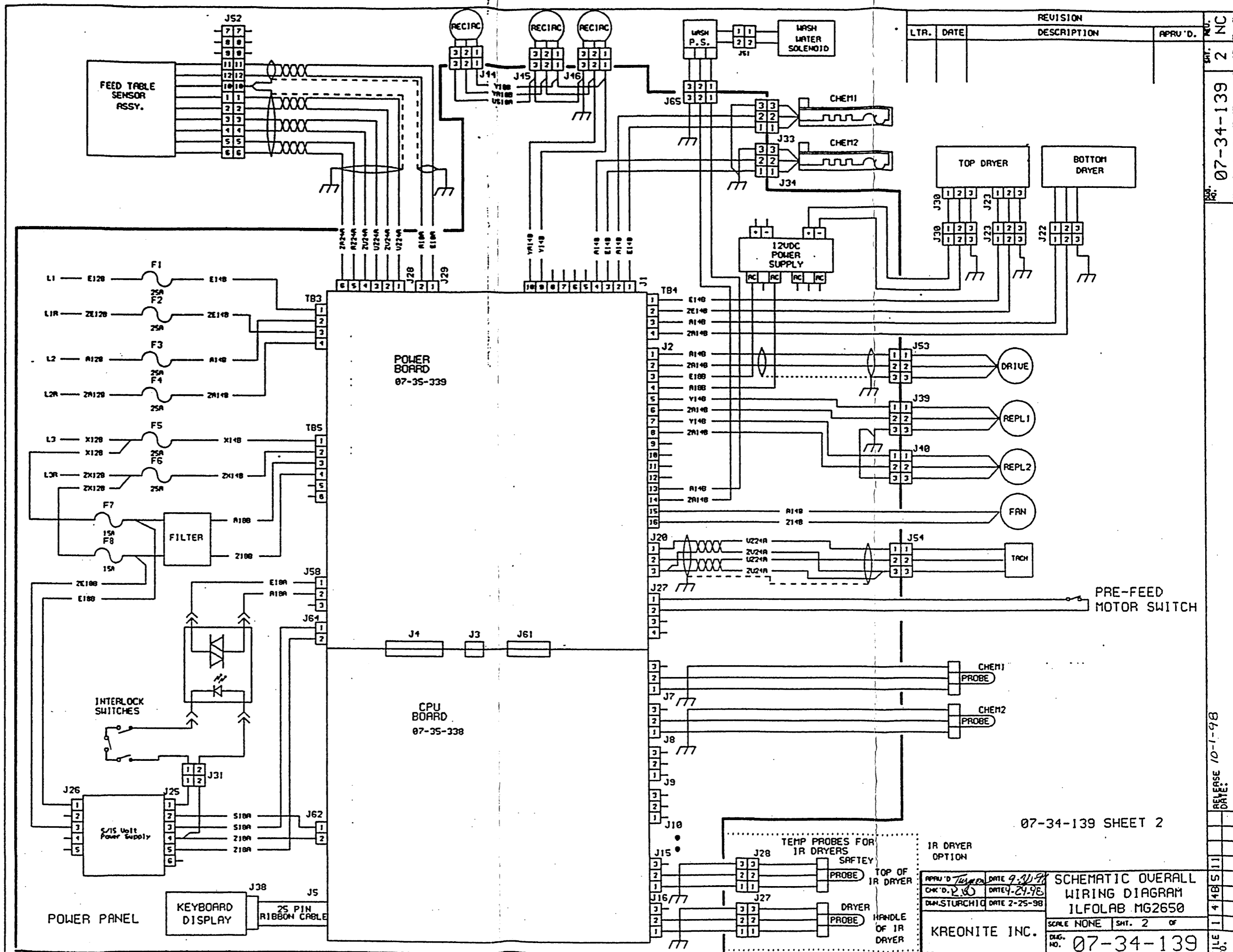


LEGEND



TOLERANCES - EXCEPT AS NOTED ANGULAR 1/2° DECIMAL .XX ± .01 FRACTIONAL ± 1/32	APPR'D. <i>[Signature]</i> DATE 9-25-98 CHK'D. <i>[Signature]</i> DATE 9-30-98 D.M. FRETZ DATE 2-25-98	SCHEMATIC OVERALL WIRING DIAGRAM ILFOLAB MG2650 SCALE NONE SH. 1 OF 1 KREONITE INC. 07-34-139
--	--	--

FILE NO. 07-34-139 1 NC
 RELEASE DATE 10-7-98

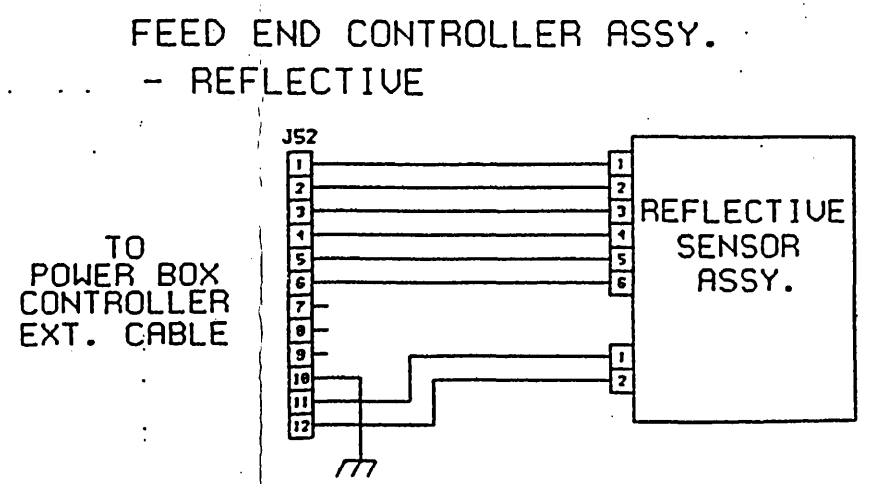
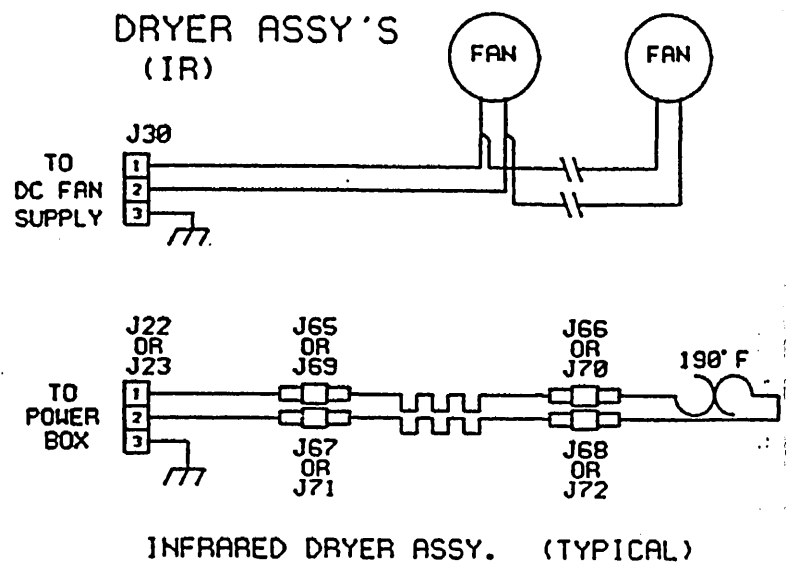


REVISION			
LTR.	DATE	DESCRIPTION	APPR'D.

07-34-139 SHEET 2

APPR'D. <i>[Signature]</i>	DATE 9-20-98	SCHEMATIC OVERALL WIRING DIAGRAM ILFOLAB MG2650	SCALE NONE	SHT. 2 OF
CHK'D. <i>[Signature]</i>	DATE 4-24-98		KREONITE INC. NO. 07-34-139	FILE NO.
DRN. STURCHIO	DATE 2-25-98			

07-34-139 2 NC
 RELEASE 10-1-98
 DATE:



REVISION			
LTR.	DATE	DESCRIPTION	APPR'D.

07-34-139

TOLERANCES - EXCEPT AS NOTED	APPR'D. <i>[Signature]</i>	DATE 7-30-98	SCHEMATIC OVERALL WIRING DIAGRAM ILFOLAB MG2650
ANGULAR 1/2"	CHK'D. <i>[Signature]</i>	DATE 9-30-98	
DECIMAL .100 ± .001 .001 ± .0005	DRG. RUETT	DATE 2-25-98	
FRACTIONAL ± 1/32	KREONITE INC.		SCALE NONE
	775 EMI SCARLE STREET - BOSTON 02118		SMT. 3 OF
			DRG. NO. 07-34-139

RELEASE 10-1-98

Australia

ILFORD Imaging Australia Pty Limited
Cnr. Ferntree Gully & Forster Roads
PO Box 144
Mt Waverley
Victoria 3149

Benelux

ILFORD Imaging Nederland BV
Nieuwenhuizenweg 10
Postbus 1125
NL-2302 BC Leiden
Holland

Canada

ILFORD Imaging Canada Limited
361 Steelcase Road West
Unit No.4
Markham
Ontario L3R 3V8

Nordic

ILFORD Imaging Denmark
Tordenskjoldsgade 19
DK-1055 Copenhagen K
Denmark

France

ILFORD Imaging France SA
14 rue Galilée Cité Descartes
77420 Champs-sur-Marne

Germany/Austria

ILFORD Imaging GmbH
Heinrich-Hertz-Str 1
POB 10 11 68
D-63265 Dreieich

Italy

ILFORD Imaging Italia SpA
Corso Italia 13
21047 Saronno (VA)

Sweden

ILFORD Imaging Sweden
PO Box 55066
S-400 53 Göteborg

Switzerland

ILFORD Imaging Switzerland GmbH
Industriestrasse 15
1701 Fribourg

United Kingdom

ILFORD Imaging UK Limited
Town Lane
Mobberley
Cheshire WA16 7JL

USA

ILFORD Imaging USA Inc
West 70 Century Road
Paramus
New Jersey 07653

If your country is not shown here, please contact:

Export Eastern Hemisphere
ILFORD Imaging UK Limited
Mobberley
Cheshire WA16 7JL
England

Web

www.ILFORD.com

Constant improvements in ILFORD products mean that changes in design or specification may occur from time to time. Any improvements will, however, maintain conformance of the product with all relevant legislation. The right to alter the design and specification of the equipment without prior notice is accordingly reserved.

Product names printed in capitals are ILFORD trade marks.

ILFORD Imaging UK Limited
Mobberley Cheshire