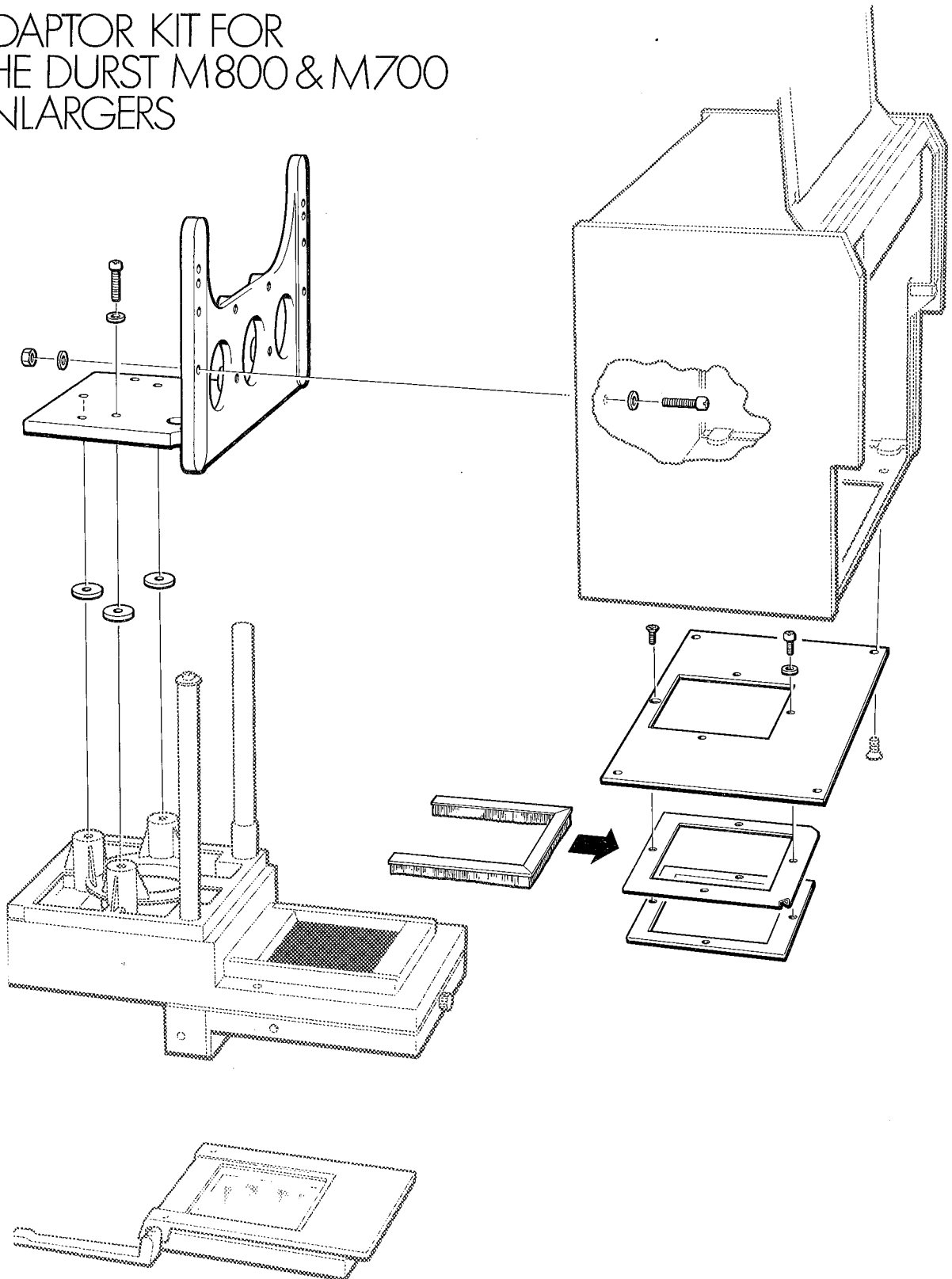


ILFOSPEED MULTIGRADE 500

ADAPTOR KIT FOR
THE DURST M800 & M700
ENLARGERS



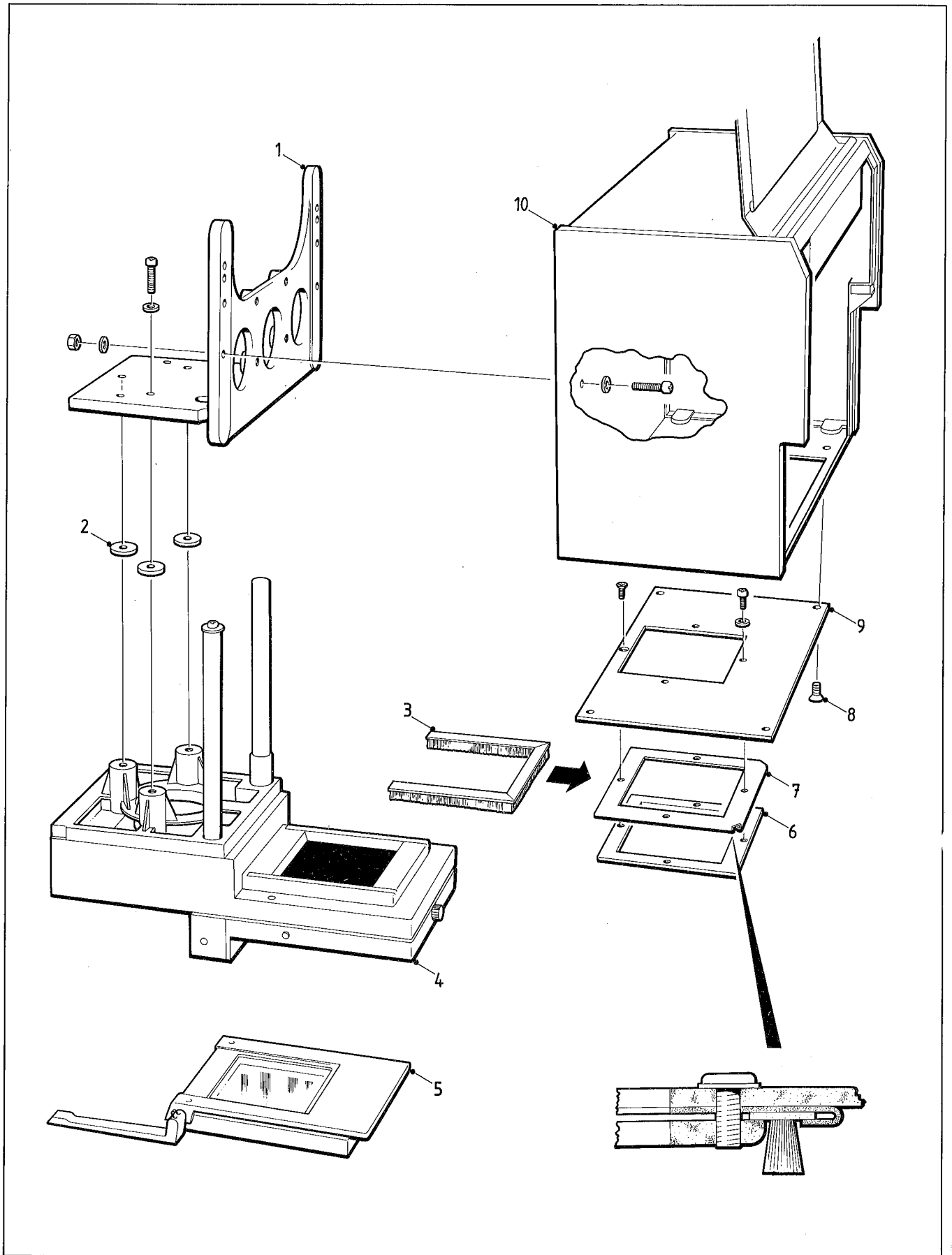


Figure 1.1

1 PRE-INSTALLATION

- 1 Back mounting bracket
- 2 Spacer
- 3 Sealing strip
- 4 Durst M800 chassis
- 5 Negative carrier
- 6 Clamp plate
- 7 Seal plate
- 8 Securing screw - bottom closing plate
- 9 Bottom closing plate
- 10 ILFOSPEED MULTIGRADE 500H enlarger head

1.1 Introduction

The adaptor kit (see figure 1.1) enables the ILFOSPEED MULTIGRADE 500H enlarger head to be fitted to the Durst M800 and M700 enlargers. Installation is straightforward provided the instructions in this manual are carefully followed. If you have any problems, please contact your nearest ILFORD selling company, the address of which can be found on the back cover of this manual.

Information regarding the fitting and changing of light mixing boxes is detailed in the ILFOSPEED MULTIGRADE 500 Operating manual, which must be read thoroughly before the equipment is used.

WARNING

To prevent irreparable damage to the equipment, do not use force when carrying out any of the following instructions. Because the lamp slides are free to move, handle the ILFORD ILFOSPEED MULTIGRADE 500H enlarger head with extreme care. Remove the lamps if you feel it is necessary.

1.2 Unpacking

The adaptor kit for the Durst M800 and M700 enlargers consists of the sub-assemblies detailed in table 1.1. Each sub-assembly is packed in a plastic bag, with the part number written on the bag. Please ensure you have all the correct items before proceeding with any of the fitting instructions (see also figure 1.1).

Table 1.1 Adaptor kit

Part no.	Description
6069-2-106	Register plate, 35mm
6069-2-107	Register plate, 6x7cm
6091-3-002	Light mixing box, 35mm
6092-3-002	Light mixing box, 6x7cm
6069-2-111	Bottom closing plate
6105-P-002	Sub kit
6105-P-003	Sub kit

The sub kit, part number 6105-P-002, consists of the items detailed in table 1.2.

Table 1.2 Sub kit 6105-P-002

Description	Quantity
Seal plate	1
Clamp plate	1
Spacer, 3mm	3
Spacer, 0.8mm	6
Screw, M3x5mm, pan head	3
Screw, M3x5mm, countersunk head	1
Washer, M3, plain	3
Sealing strip	370mm

The sub kit, part number 6105-P-003, consists of the items detailed in table 1.3.

Table 1.3 Sub kit 6105-P-003

Description	Quantity
Back mounting bracket	1
Nut, M4	2
Washer, M4, plain	7
Screw, M4x20mm, pan head	5

1.3 Removing the Durst enlarger head

Ensure the chassis is locked at its lowest position.

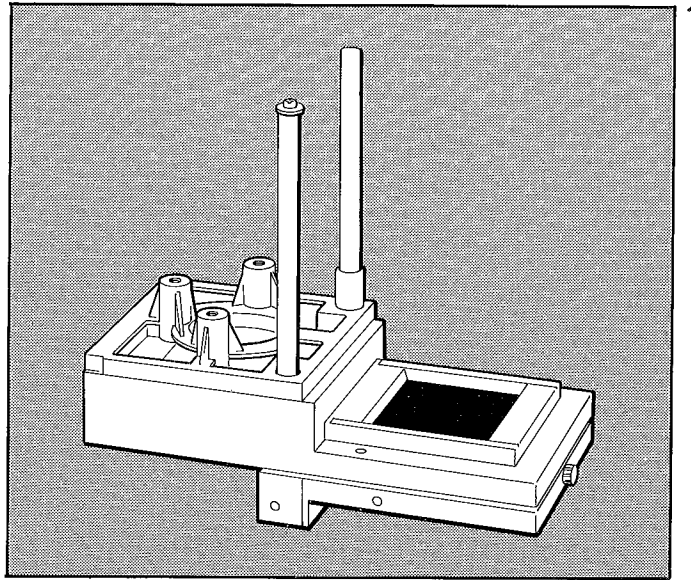
To remove the Durst enlarger head, proceed as follows (refer also to the manufacturer's literature):

- 1 Remove the negative carrier.
- 2 Release the four screws securing the lamphouse cover to the chassis, and lift off the cover.
- 3 Carefully remove the enlarger lamp.
- 4 Release the locking screw on the side of the lampholder beneath the chassis, and remove the lampholder downwards.
Re-tighten the locking screw.
- 5 Release the three screws from inside the base of the lamphouse. Lift the lamphouse off the chassis.

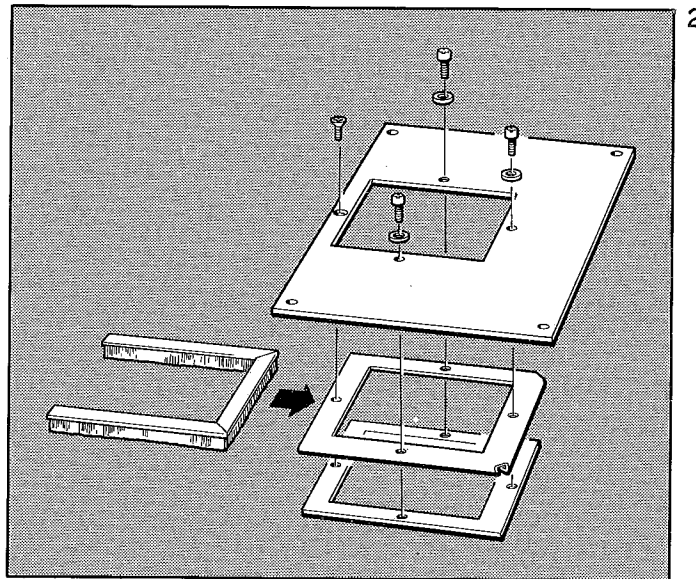
2

FITTING THE ILFOSPEED MULTIGRADE 500H ENLARGER HEAD

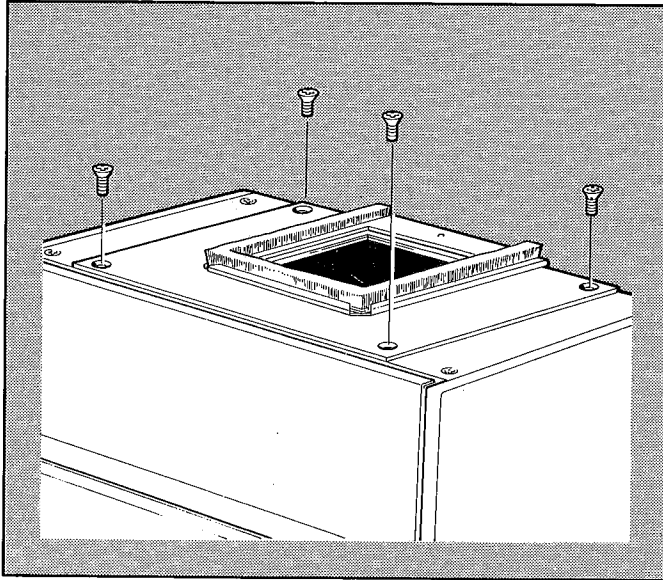
With the Durst enlarger head removed, the enlarger is ready to accept the ILFOSPEED MULTIGRADE 500H enlarger head.



Cut to length and fit three pieces of sealing strip to the seal plate, as shown. Position the clamp plate on the seal plate to trap the sealing strips in position. Secure the assembly to the bottom closing plate with the M3x5mm countersunk head screw, and the three M3x5mm pan head screws and associated washers.

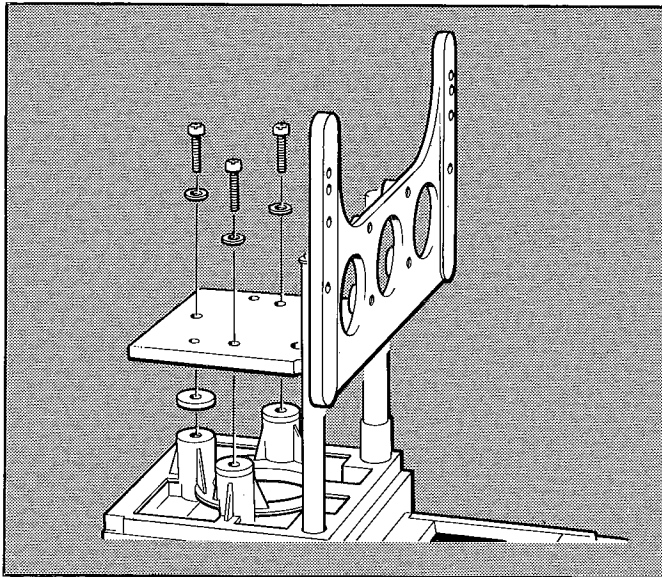


3



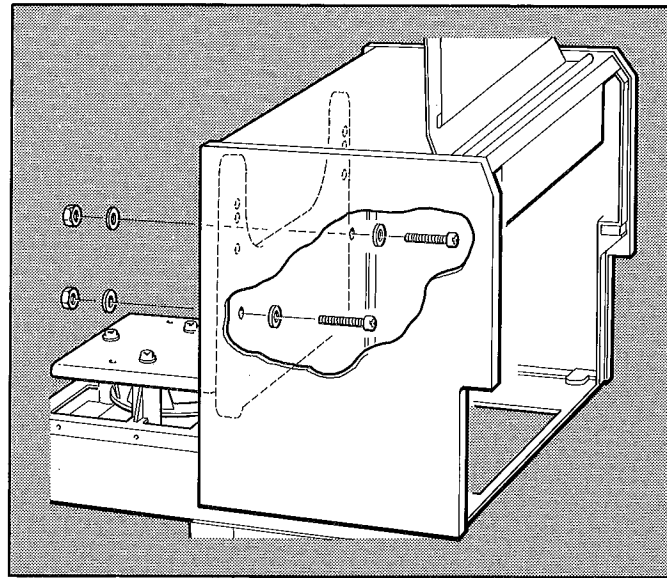
Position the ILFOSPEED MULTIGRADE 500H enlarger head upside down on a bench. Remove the four countersunk head screws and associated cup washers from the base. Discard the cup washers. Secure the bottom closing plate assembly to the base of the enlarger head using the four countersunk head screws removed above.

4

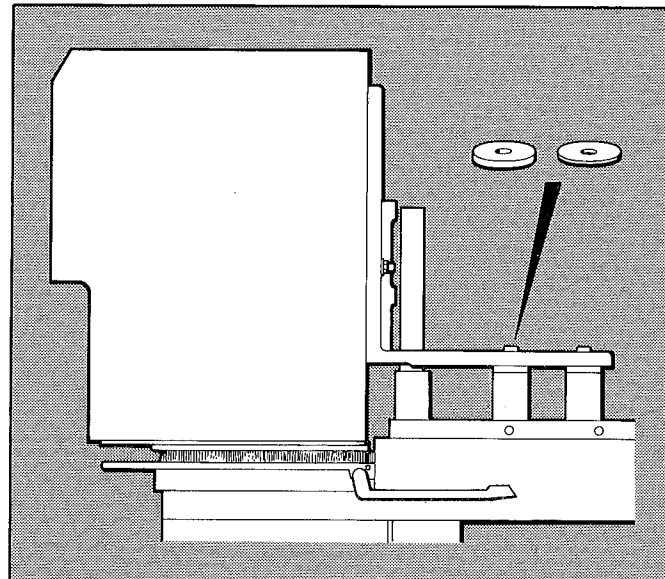


Position a 3mm spacer on each of the three pillars on the enlarger chassis. Secure the back mounting bracket with the three M4x20mm pan head screws and associated washers.

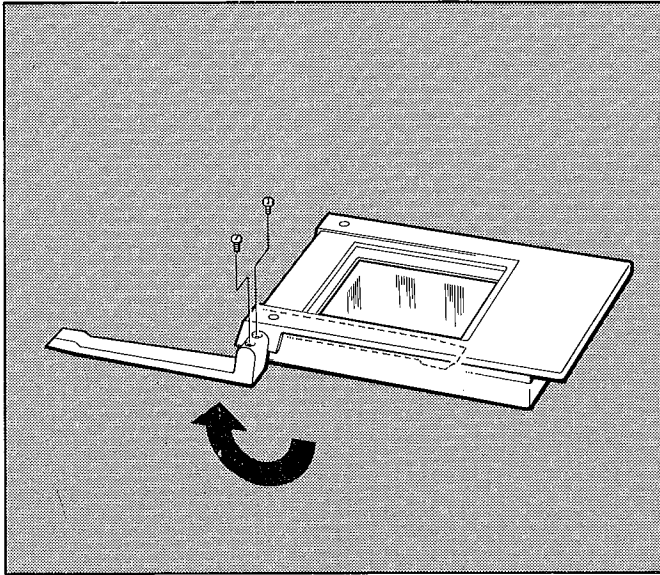
Raise the front cover and move both lamps towards each other to expose the two fixing holes in the rear panel. Push out the blanking plugs. Position the negative carrier on the chassis. Secure the enlarger head to the back mounting bracket with the two remaining M4x20mm pan head screws and associated nuts and washers.



Check the fit of the negative carrier. Due to variations in enlargers, it may be necessary to alter the spacer thickness between the back mounting bracket and the chassis to obtain a snug fit. To do this, replace the 3mm spacer with two 0.8mm spacers to reduce the spacer thickness, or add a 0.8mm spacer to increase the spacer thickness.



7



To allow the negative carrier opening lever to operate correctly with the ILFOSPEED MULTIGRADE 500H enlarger head fitted, it must be rotated through 180°. To do this, release the two screws on the base of the lever, rotate the lever 180° and refit the two screws.

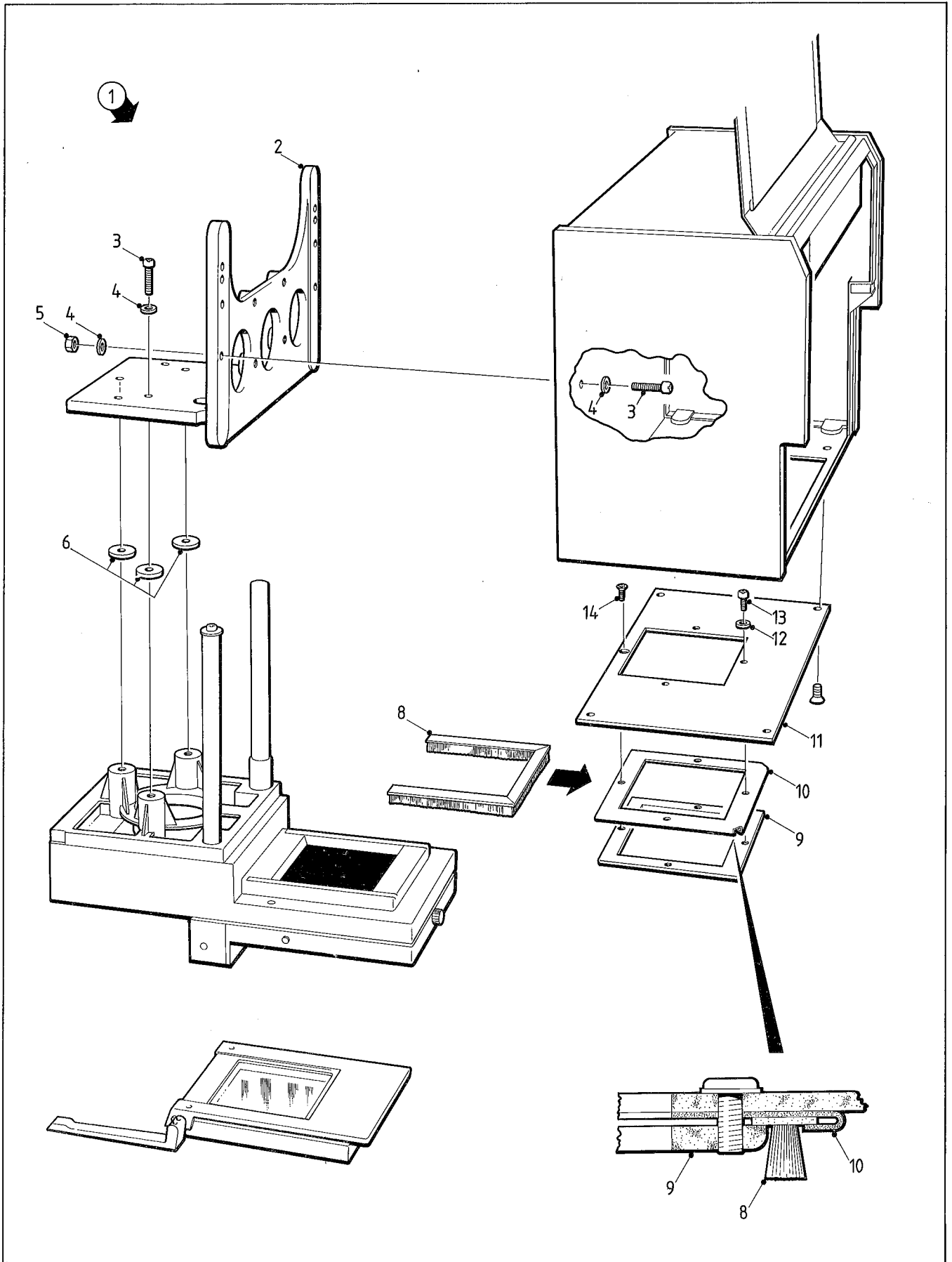


Figure 3.1

3

**PARTS
LIST**

Figure 3.1 and the following table detail all spare parts that are available. When ordering spare parts, please quote the part number in order that ILFORD Limited may process your order quickly and efficiently.

Ref no. on figure 3.1	Part no.	Description	Quantity
1	6105-P-001	Adaptor kit, complete	
2	6105-1-100	Back mounting bracket	1
3	87989775	Screw, M4x20mm, pan head	5
4	89730454	Washer, M4, plain	7
5	86203904	Nut, M4	2
6	6028-4-103	Spacer, 3mm	3
7+	6028-4-106	Spacer, 0.8mm	6
8	88001501	Sealing strip	370mm
9	6105-3-102	Clamp plate	1
10	6105-3-101	Seal plate	1
11	6069-2-111	Bottom closing plate	1
12	89730453	Washer, M3, plain	3
13	87989742	Screw, M3x5mm, pan head	3
14	87990419	Screw, M3x5mm, countersunk head	1
15+	6069-2-106	Register plate, 35mm	1
16+	6069-2-107	Register plate, 6x7cm	1
17+	6091-3-002	Light mixing box, 35mm, 14mm drop	1
18+	6092-3-002	Light mixing box, 6x7cm, 14mm drop	1

+ items not illustrated