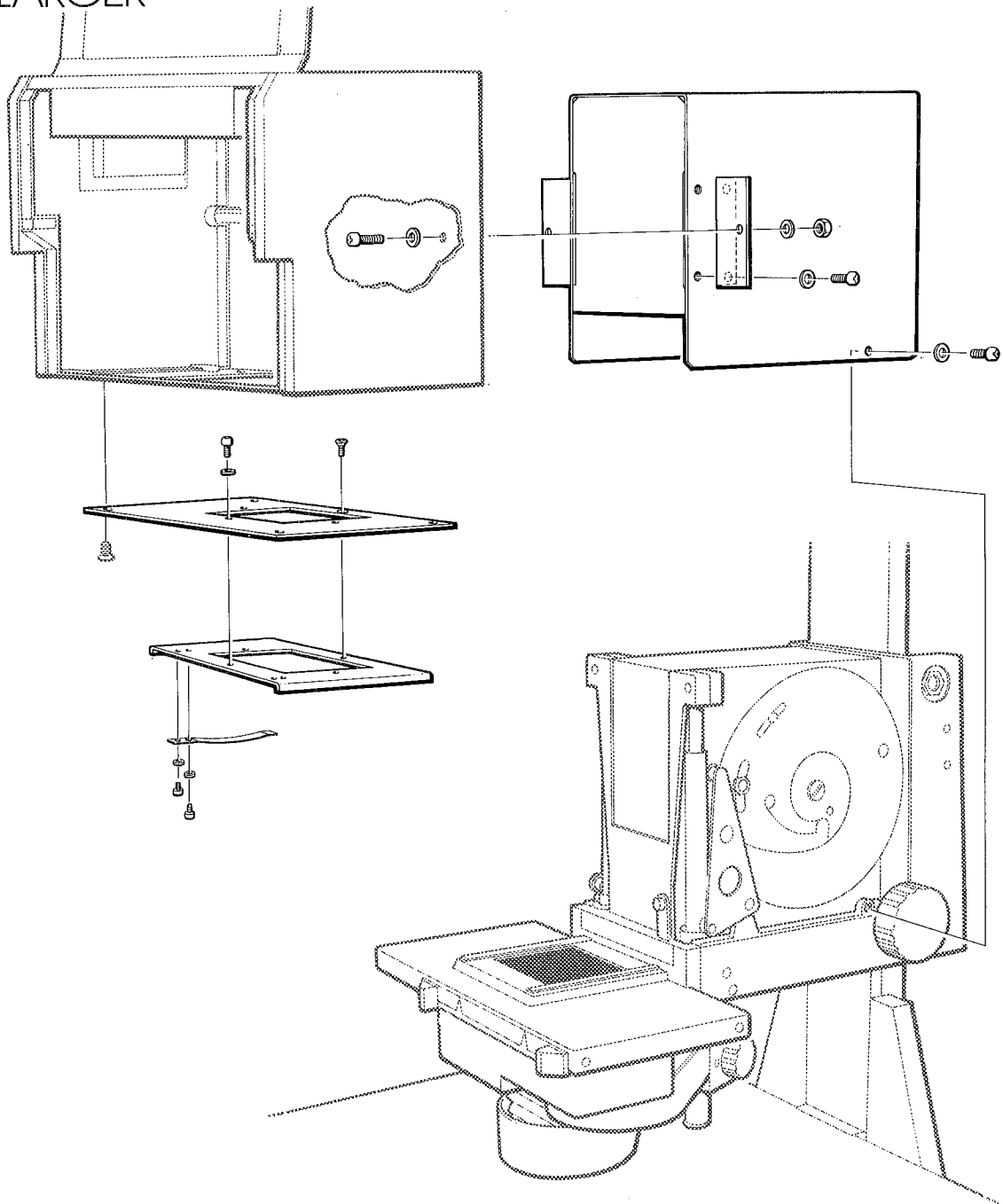


ILFOSPEED MULTIGRADE 500

ADAPTOR KIT FOR
THE DURST DA900
ENLARGER



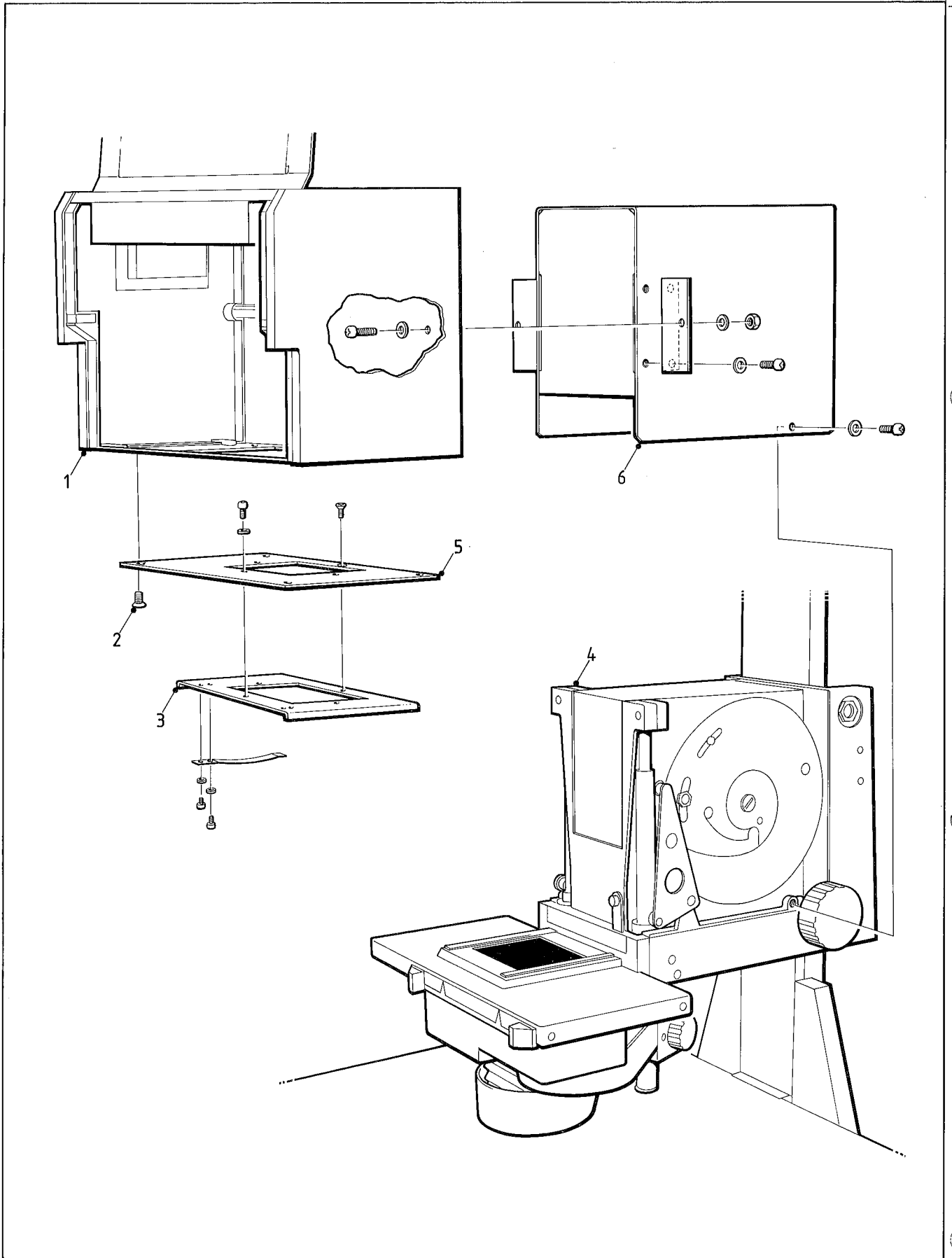


Figure 1.1

1 PRE-INSTALLATION

- 1 ILFOSPEED MULTIGRADE 500H enlarger head
- 2 Securing screw - bottom closing plate
- 3 Spring mounting plate
- 4 Durst DA900 chassis
- 5 Bottom closing plate
- 6 Adaptor cover

1.1 Introduction

The Adaptor kit (see figure 1.1) enables the ILFOSPEED MULTIGRADE 500H enlarger head to be fitted to the Durst DA900 enlarger. Installation is straightforward provided the instructions in this manual are carefully followed. If you have any problems, please contact your nearest ILFORD selling company, the address of which can be found on the back cover of this manual.

Information regarding the fitting and changing of light mixing boxes is detailed in the ILFOSPEED MULTIGRADE 500 Operating manual, which must be read thoroughly before the equipment is used.

WARNING

To prevent irreparable damage to the equipment, do not use force when carrying out any of the following instructions. Because the lamp slides are free to move, handle the ILFORD ILFOSPEED MULTIGRADE 500H enlarger head with extreme care. Remove the lamps if you feel it is necessary.

1.2 Unpacking

The Adaptor kit for the Durst DA900 enlarger consists of the sub-assemblies detailed in table 1.1. Each sub-assembly is packed in a plastic bag, with the part number written on the bag. Please ensure you have all the correct items before proceeding with any of the fitting instructions (see also figure 1.1).

Table 1.1 Adaptor kit

Part no.	Description
6069-2-106	Register plate, 35mm
6069-2-107	Register plate, 6x7cm
6091-3-002	Light mixing box, 35mm
6092-3-002	Light mixing box, 6x7cm
6069-2-111	Bottom closing plate
6108-P-002	Sub kit
6108-P-003	Sub kit

The sub kit, part number 6108-P-002, consists of the items detailed in table 1.2.

Table 1.2 Sub kit 6108-P-002

Description	Quantity
Adaptor cover	1
Adaptor bracket	2
Screw, M4x6mm, pan head	4
Washer, M4, plain	4

The sub kit, part number 6108-P-003, consists of the items detailed in table 1.3.

Table 1.3 Sub kit 6108-P-003

Description	Quantity
Spring	2
Spring mounting plate	1
Screw, M4x10mm, pan head	2
Washer, M4, plain	4
Nut, M4	2
Screw, M3x5mm, pan head	5
Screw, M3x5mm, countersunk head	1
Washer, M3, plain	5
Screw, M2.5x3mm, pan head	4
Washer, M2.5, plain	4

1.3 Removing the Durst enlarger head

The Durst DA900 enlarger head is counter balanced to be moved up and down the column with the minimum of effort. Before proceeding, ensure the chassis is positioned at a convenient working height and securely locked onto the column.

WARNING

Never lean over counter balanced enlargers; failure of the locking mechanism could cause injury.

To remove the Durst enlarger head, proceed as follows (refer also to the manufacturer's literature):

- 1 Remove the negative carrier.
- 2 Lift off the enlarger lamp cover and lift out the mirror assembly.
- 3 Release the four screws securing the lamphouse cover to the chassis, and lift off the cover.

Note

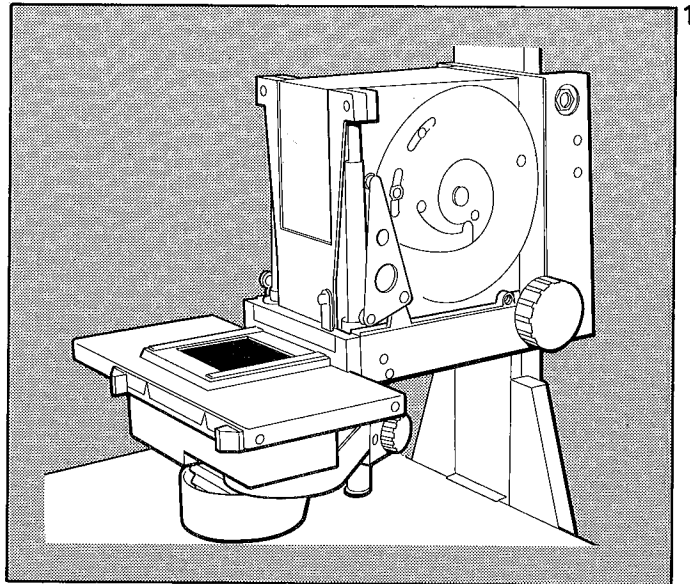
Retain the four screws. Two of them may be used to fit the ILFOSPEED MULTIGRADE 500H enlarger head.

- 4 Carefully remove the enlarger lamp.
- 5 Slacken the locking screw on the side of the lampholder beneath the chassis. Remove the lampholder downwards and re-tighten the locking screw.
- 6 Support the enlarger head and release the two small screws (located behind the negative stage on the base of the enlarger head) and the two larger screws (located at the top corners of the enlarger head). Lift the head off the chassis.

2

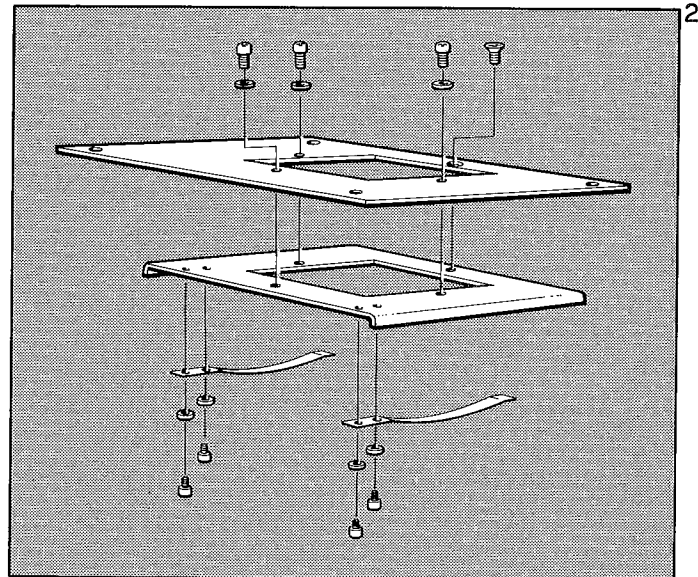
FITTING THE ILFOSPEED MULTIGRADE 500H ENLARGER HEAD

With the Durst enlarger head removed, the enlarger is ready to accept the ILFOSPEED MULTIGRADE 500H enlarger head.

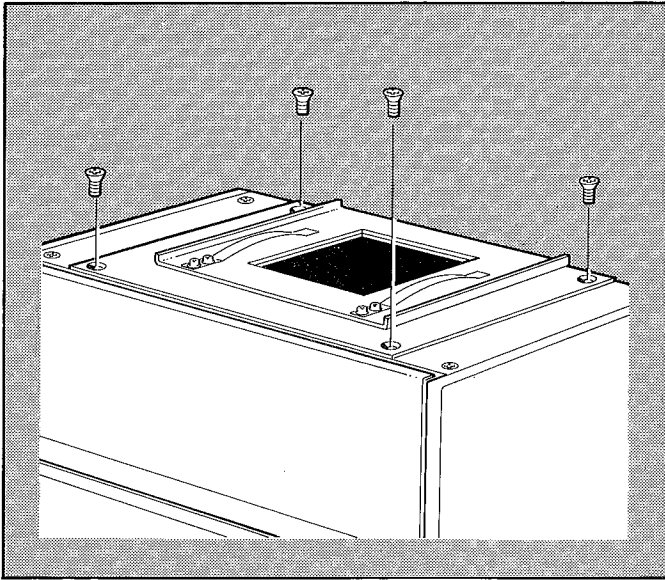


Secure the two springs to the spring mounting plate with the four M2.5x3mm pan head screws and associated washers.

Secure the spring mounting plate to the bottom closing plate with the M3x5mm countersunk head screw, and the three M3x5mm pan head screws and associated washers.

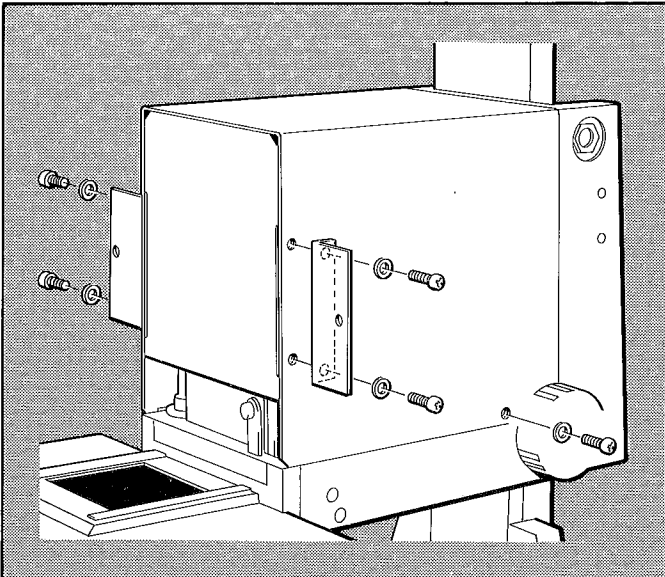


3



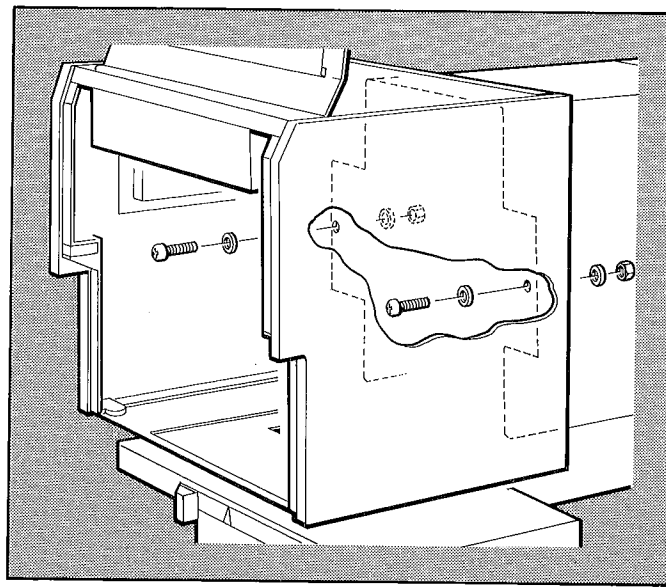
Position the ILFOSPEED MULTIGRADE 500H enlarger head upside down on a bench. Remove the four countersunk head screws and associated cup washers from the base. Discard the cup washers. Secure the bottom closing plate assembly to the base of the enlarger head using the four countersunk head screws removed above.

4



Secure the two adaptor brackets to the adaptor cover with the four M4x6mm pan head screws and associated washers. Secure the adaptor cover to the enlarger chassis with the remaining two M3x5mm pan head screws and associated washers, or two of the screws removed in section 1.3, operation 3.

With the enlarger head the correct way up, raise the front cover and move both lamps towards each other to expose the two fixing holes in the rear panel. Push out the blanking plugs. Secure the enlarger head to the adaptor cover assembly with the two M4x10mm pan head screws and associated nuts and washers.



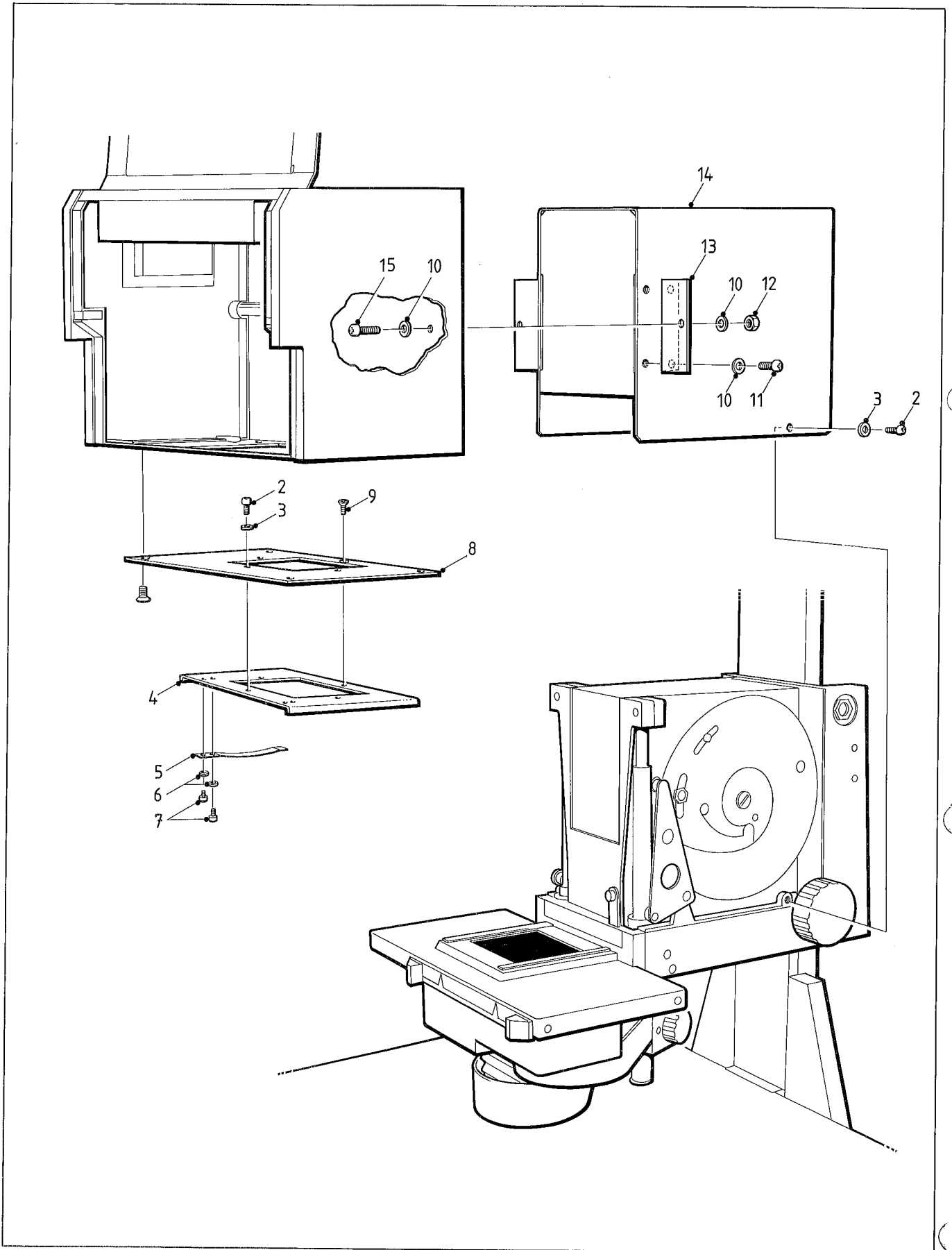


Figure 3.1

3**PARTS
LIST**

Figure 3.1 and the following table detail all spare parts that are available. When ordering spare parts, please quote the part number in order that ILFORD Limited may process your order quickly and efficiently.

Ref no. on figure 3.1	Part no.	Description	Quantity
1	6108-P-001	Adaptor kit, complete	
2	87989742	Screw, M3x5mm, pan head	5
3	89730453	Washer, M3, plain	5
4	6108-3-100	Spring mounting plate	1
5	6108-4-101	Spring	2
6	89730452	Washer, M2.5, plain	4
7	87993590	Screw, M2.5x3mm, pan head	4
8	6069-2-111	Bottom closing plate	1
9	87990419	Screw, M3x5mm, countersunk head	1
10	89730454	Washer, M4, plain	8
11	87989770	Screw, M4x6mm, pan head	4
12	86203904	Nut, M4	2
13	6108-3-102	Adaptor bracket	2
14	6108-1-002	Adaptor cover	1
15	87989772	Screw, M4x10mm, pan head	2
16+	6069-2-106	Register plate, 35mm	1
17+	6069-2-107	Register plate, 6x7cm	1
18+	6091-3-002	Light mixing box, 35mm, 14mm drop	1
19+	6092-3-002	Light mixing box, 6x7cm, 14mm drop	1

+ items not illustrated