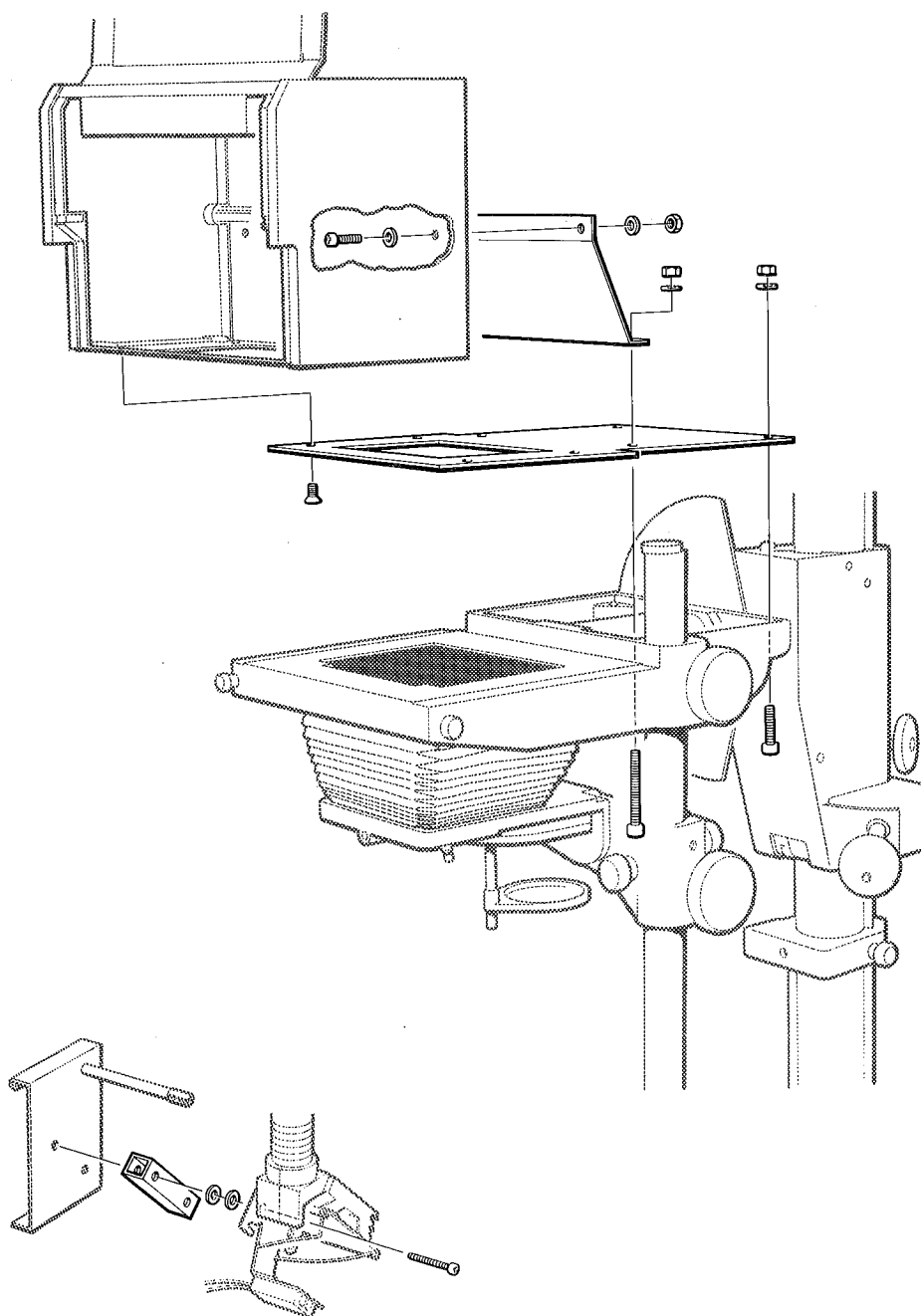


# ILFOSPEED MULTIGRADE 500

ADAPTOR KIT FOR  
THE DURST 138S  
ENLARGER  
(NEGA 138 CARRIER)



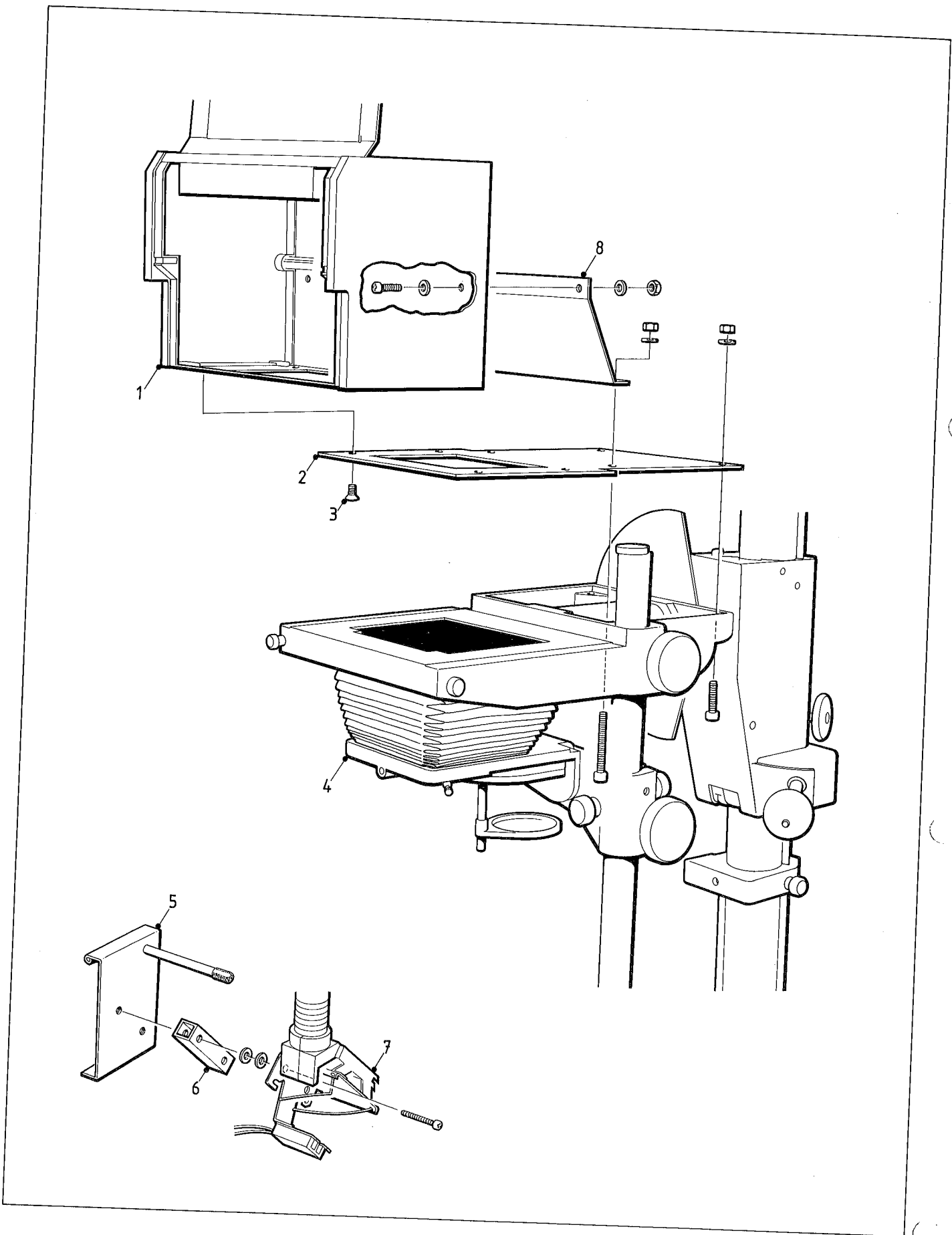


Figure 1.1

# 1 PRE-INSTALLATION

- 1 ILFOSPEED MULTIGRADE 500H enlarger head
- 2 Adaptor plate
- 3 Securing screw - adaptor plate
- 4 Durst 138S chassis
- 5 Lampholder slide - left hand
- 6 Packing block
- 7 Lampholder - left hand
- 8 Support bracket

## 1.1 Introduction

The adaptor kit (see figure 1.1) enables the ILFOSPEED MULTIGRADE 500H enlarger head to be fitted to the Durst 138S enlarger. Installation is straightforward provided the instructions in this manual are carefully followed. If you have any problems, please contact your nearest ILFORD selling company, the address of which can be found on the back cover of this manual.

Information regarding the fitting and changing of light mixing boxes is detailed in the ILFOSPEED MULTIGRADE 500 Operating manual, which must be read thoroughly before the equipment is used.

### WARNING

To prevent irreparable damage to the equipment, do not use force when carrying out any of the following instructions. Because the lamp slides are free to move, handle the ILFORD ILFOSPEED MULTIGRADE 500H enlarger head with extreme care. Remove the lamps if you feel it is necessary.

## 1.2 Unpacking

The adaptor kit for the Durst 138S enlarger consists of the sub-assemblies detailed in table 1.1. Each sub-assembly is packed in a plastic bag, with the part number written on the bag. Please ensure you have all the correct items before proceeding with any of the fitting instructions (see also figure 1.1).

Table 1.1 Adaptor kit

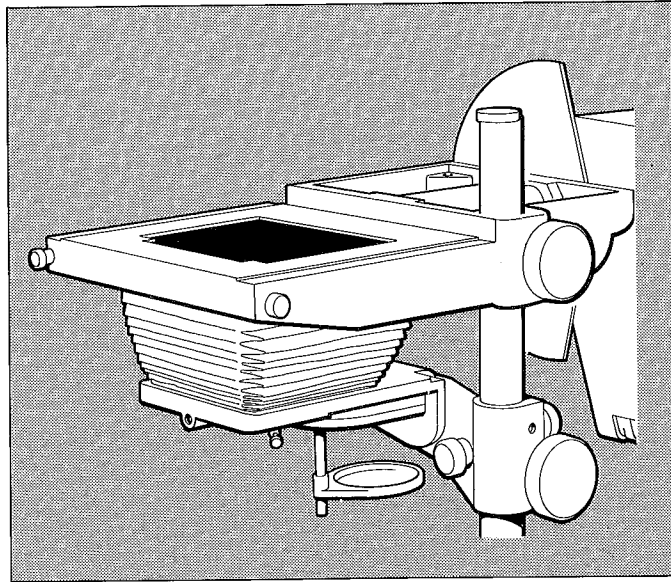
Part no.	Description
6069-2-108	Register plate, 35mm
6069-2-109	Register plate, 6x7cm
6091-3-001	Light mixing box, 35mm
6092-3-001	Light mixing box, 6x7cm
6093-3-001	Light mixing box, 4x5 inches
6069-P-002	Packing block sub kit
6103-P-002	Sub kit

The packing block sub kit, part number 6069-P-002, consists of the items detailed in table 1.2.

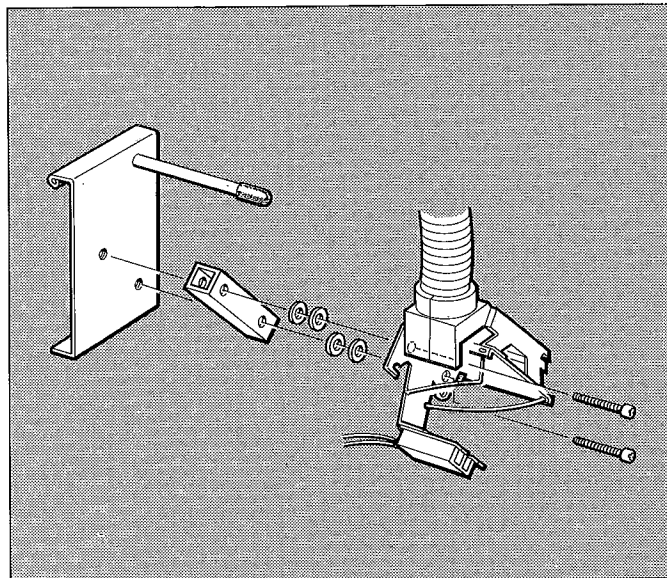
## 2

# FITTING THE ILFOSPEED MULTIGRADE 500H ENLARGER HEAD

With the Durst enlarger head removed, the enlarger is ready to accept the ILFOSPEED MULTIGRADE 500H enlarger head.



Remove the two lamps and the two screws securing each lampholder to its slide. Re-assemble the left hand lampholder to the slide using the spacer block, and two of the M3x25mm pan head screws and associated washers, as shown. Repeat for the right hand lampholder. Ensure full movement of the lampholders. Refit the lamps.



**Table 1.2 Packing block sub kit  
6069-P-002**

Description	Quantity
Packing block	2
Screw, M3x25mm, pan head	4
Washer, M3, plain	8

The sub kit, part number 6103-P-002, consists of the items detailed in table 1.3.

**Table 1.3 Sub kit 6103-P-002**

Description	Quantity
Adaptor plate	1
Support bracket	1
Screw, M4x10mm, pan head	2
Nut, M4	2
Washer, M4, plain	4
Screw, M6x80mm, pan head	2
Screw, M6x40mm, pan head	2
Nut, M6	4
Washer, M6, plain	4

### 1.3 Removing the Durst enlarger head

The Durst 138S enlarger head is counter balanced to be moved up and down the column with the minimum of effort. Before proceeding, ensure the chassis is positioned at a convenient working height and securely locked onto the column.

#### **WARNING**

**Never lean over counter balanced enlargers; failure of the locking mechanism could cause injury.**

To remove the Durst enlarger head, proceed as follows (refer also to the manufacturer's literature):

- 1 Remove the negative carrier.

#### **Note**

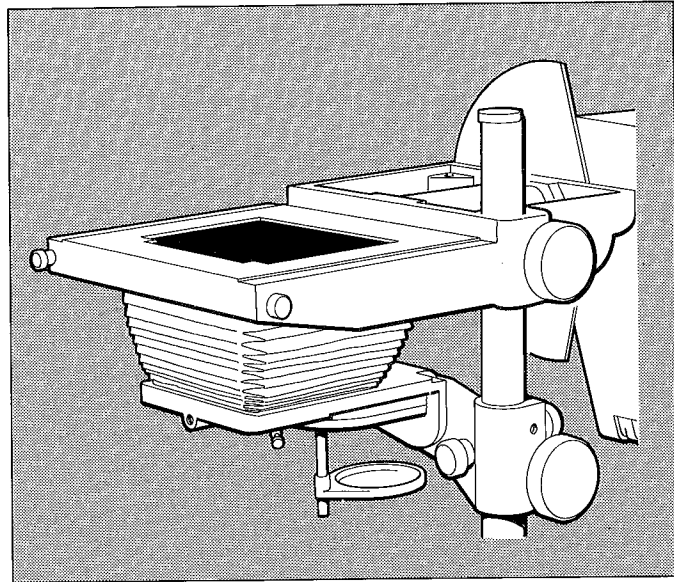
The ILFOSPEED MULTIGRADE 500H enlarger head can only be used on the Durst 138S enlarger with the Nega 138 negative carrier fitted. The negative carrier with the handle on one side cannot be used with this enlarger head.

- 2 Carefully remove the condensers or light mixing box.
- 3 Remove the cooling fan pipe, if fitted.
- 4 Support the lamphouse and release the four large screws located on the rear underside of the chassis. Lift off the lamphouse.

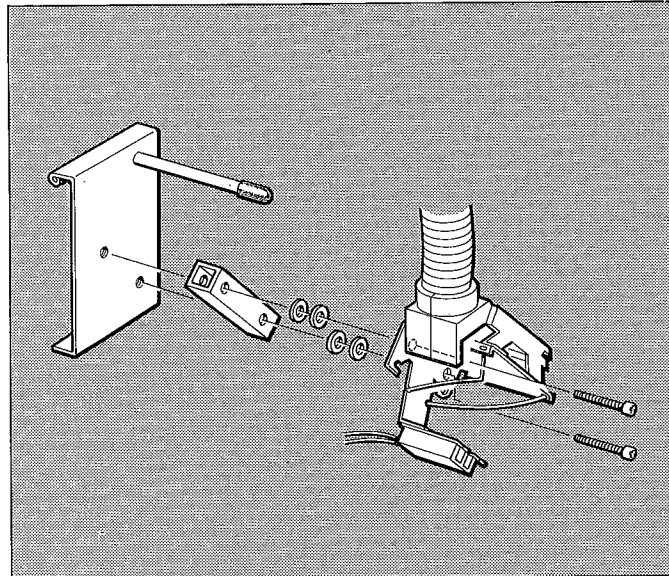
## 2

# FITTING THE ILFOSPEED MULTIGRADE 500H ENLARGER HEAD

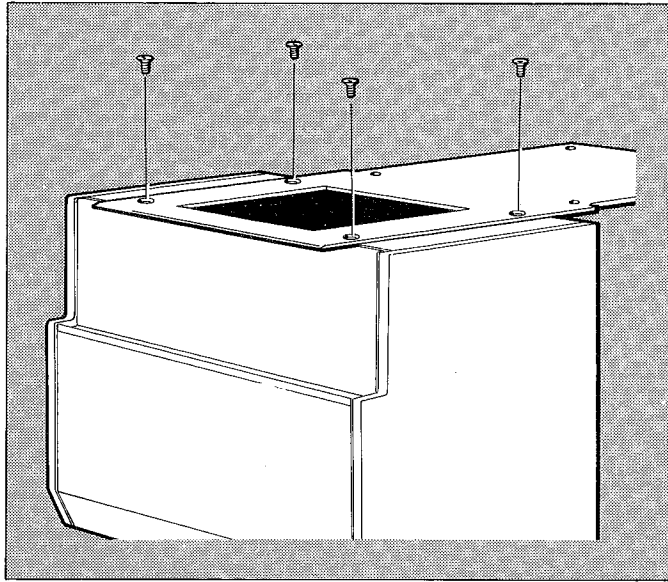
With the Durst enlarger head removed, the enlarger is ready to accept the ILFOSPEED MULTIGRADE 500H enlarger head.



Remove the two lamps and the two screws securing each lampholder to its slide. Re-assemble the left hand lampholder to the slide using the spacer block, and two of the M3x25mm pan head screws and associated washers, as shown. Repeat for the right hand lampholder. Ensure full movement of the lampholders. Refit the lamps.



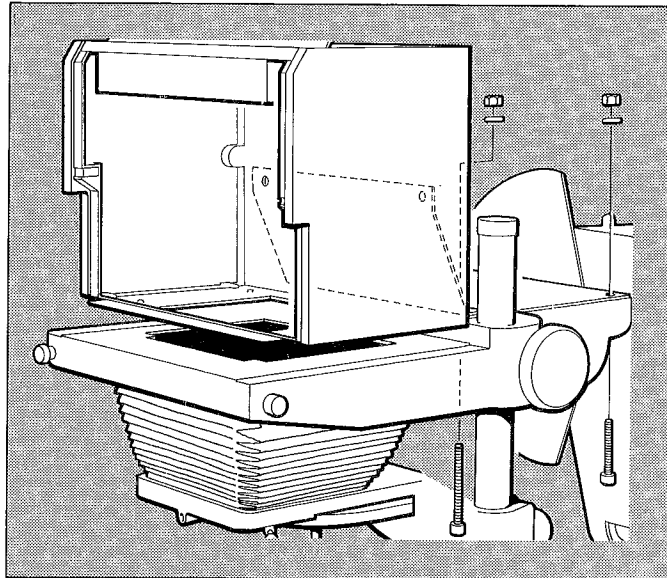
3



Position the ILFOSPEED MULTIGRADE 500H enlarger head upside down on a bench. Remove the four countersunk head screws and associated cup washers from the base. Discard the cup washers.

Secure the adaptor plate to the head using the four countersunk head screws removed above.

4

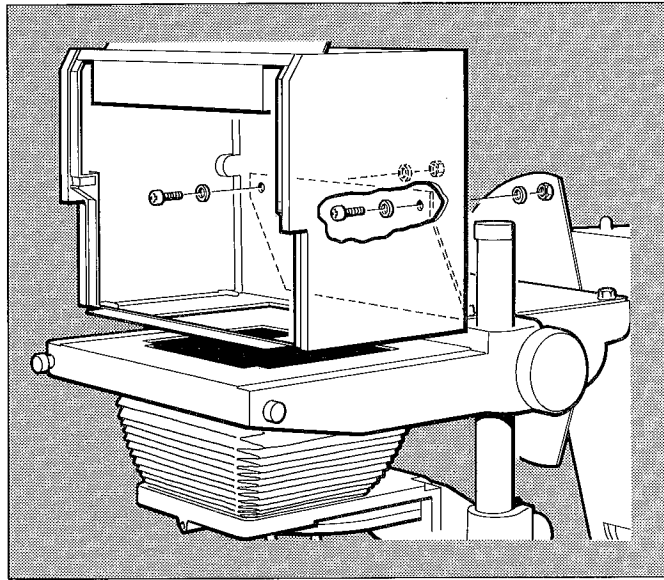


Secure the adaptor plate (complete with head) and the support bracket to the chassis with the two M6x40mm pan head screws (rear), then the two M6x80mm pan head screws (front), and associated nuts and washers, as shown. Do not fully tighten.

**Note**

The support bracket is secured to the chassis with the two front screws only.

Move both lamps towards each other to expose the two fixing holes in the rear panel of the head. Push out the blanking plugs. Secure the enlarger head to the support bracket with the two M4x10mm pan head screws and associated nuts and washers. Do not fully tighten. Ensure the head is square to the chassis and tighten all nuts.



5



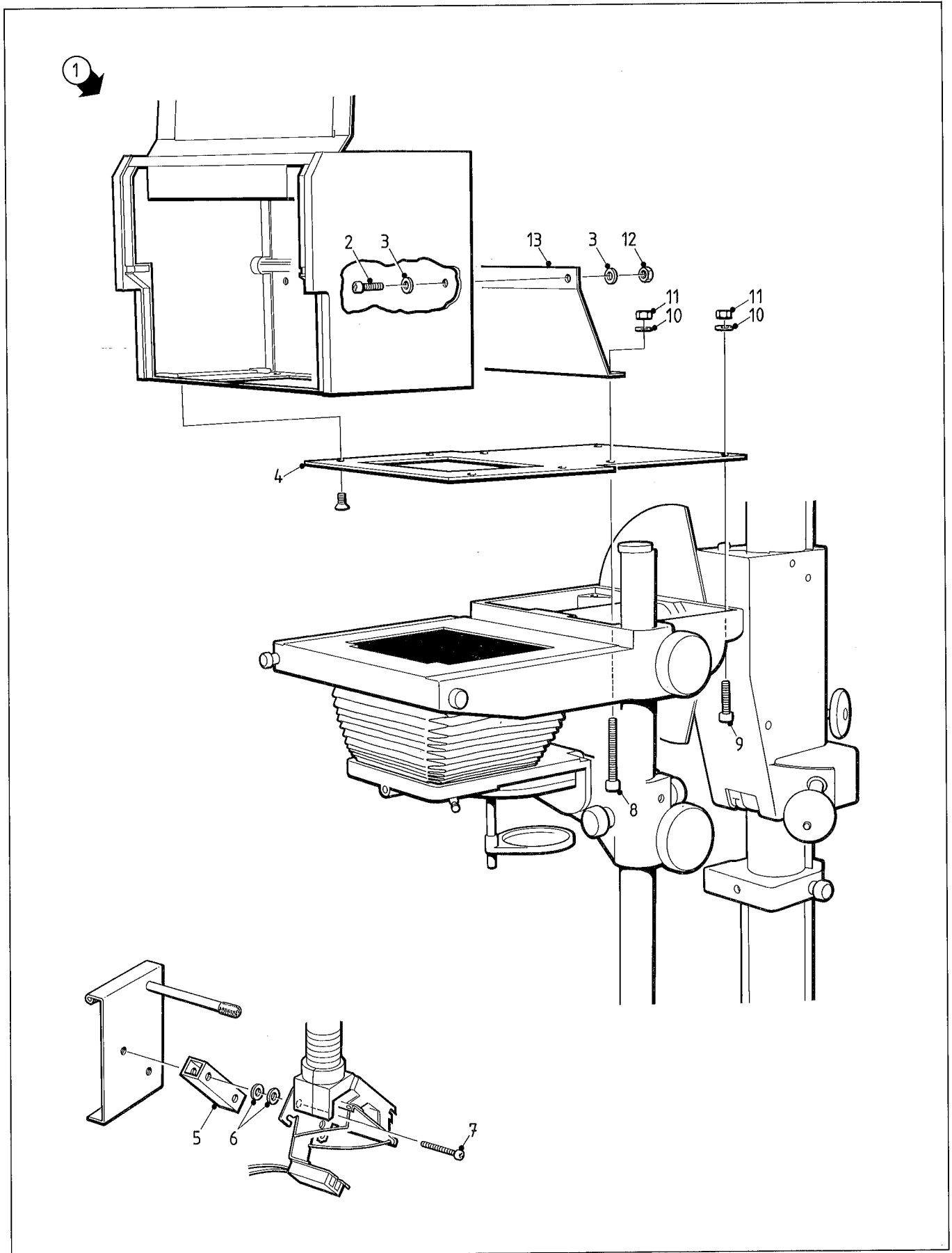


Figure 3.1

# 3 PARTS LIST

Figure 3.1 and the following table detail all spare parts that are available. When ordering spare parts, please quote the part number in order that ILFORD Limited may process your order quickly and efficiently.

Ref no. on figure 3.1	Part no.	Description	Quantity
1	<b>6103-P-001</b>	<b>Adaptor kit, complete</b>	
2	87989772	Screw, M4x10mm, pan head	2
3	89730454	Washer, M4, plain	4
4	6103-1-100	Adaptor plate	1
5	6069-4-110	Packing block	2
6	89730453	Washer, M3, plain	8
7	87989749	Screw, M3x25mm, pan head	4
8	87989813	Screw, M6x80mm, pan head	2
9	87989807	Screw, M6x40mm, pan head	2
10	89730456	Washer, M6, plain	4
11	86203906	Nut, M6	4
12	86203904	Nut, M4	2
13	6103-2-101	Support bracket	1
14+	6069-2-108	Register plate, 35mm	1
15+	6069-2-109	Register plate, 6x7cm	1
16+	6091-3-001	Light mixing box, 35mm, 4mm drop	1
17+	6092-3-001	Light mixing box, 6x7cm, 4mm drop	1
18+	6093-3-001	Light mixing box, 4x5 inches, 3mm drop	1

+ items not illustrated