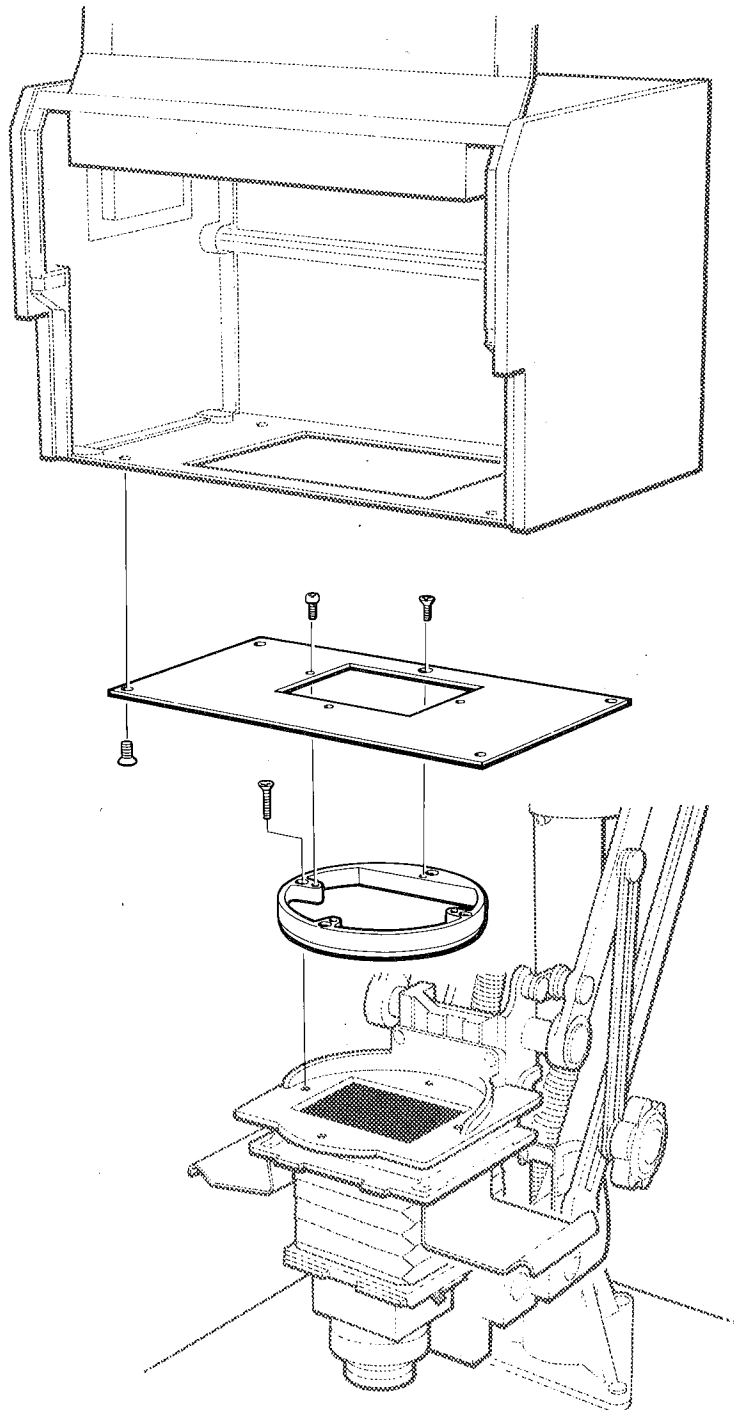


ILFOSPEED MULTIGRADE 500

ADAPTOR KIT FOR
THE AGFA 60
ENLARGER



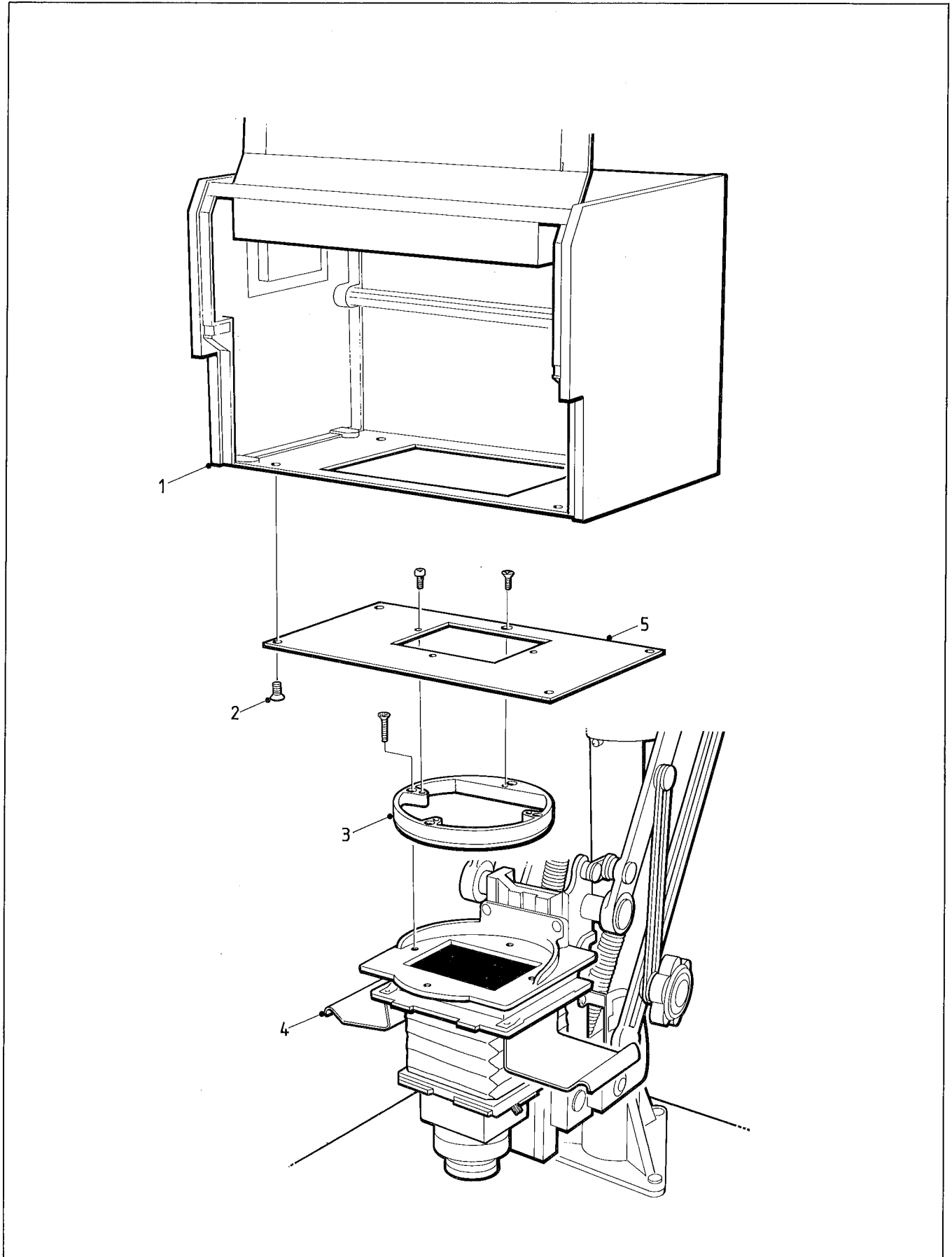


Figure 1.1

1 PRE-INSTALLATION

- 1 ILFOSPEED
MULTIGRADE 500H
enlarger head
- 2 Securing screw -
bottom closing
plate
- 3 Spacer ring
- 4 Agfa 60 chassis
- 5 Bottom closing
plate

1.1 Introduction

The adaptor kit (see figure 1.1) enables the ILFOSPEED MULTIGRADE 500H enlarger head to be fitted to the Agfa 60 enlarger. Installation is straightforward provided the instructions in this manual are carefully followed. If you have any problems, please contact your nearest ILFORD selling company, the address of which can be found on the back cover of this manual.

Information regarding the fitting and changing of light mixing boxes is detailed in the ILFOSPEED MULTIGRADE 500 Operating manual, which must be read thoroughly before the equipment is used.

WARNING

To prevent irreparable damage to the equipment, do not use force when carrying out any of the following instructions. Because the lamp slides are free to move, handle the ILFORD ILFOSPEED MULTIGRADE 500H enlarger head with extreme care. Remove the lamps if you feel it is necessary.

1.2 Unpacking

The adaptor kit for the Agfa 60 enlargers consists of the sub-assemblies detailed in table 1.1. Each sub-assembly is packed in a plastic bag, with the part number written on the bag. Please ensure you have all the correct items before proceeding with any of the fitting instructions (see also figure 1.1).

Table 1.1 Adaptor kit

Part no.	Description
6069-2-106	Register plate, 35mm
6069-2-107	Register plate, 6x7cm
6091-3-003	Light mixing box, 35mm
6092-3-002	Light mixing box, 6x7cm
6069-2-111	Bottom closing plate
6110-P-003	Sub kit

The sub kit, part number 6110-P-003, consists of the items detailed in table 1.2.

Table 1.2 Sub kit 6110-P-003

Description	Quantity
Spacer ring	1
Screw, M3x8mm, pan head	3
Screw, M3x8mm, countersunk head	1
Screw, M3x16mm, countersunk head	4

1.3 Removing the Agfa enlarger head

The Agfa 60 enlarger head is counter balanced to be moved up and down with the minimum of effort. Before proceeding, ensure the chassis is positioned at a convenient working height and securely locked.

WARNING

Never lean over counter balanced enlargers; failure of the locking mechanism could cause injury.

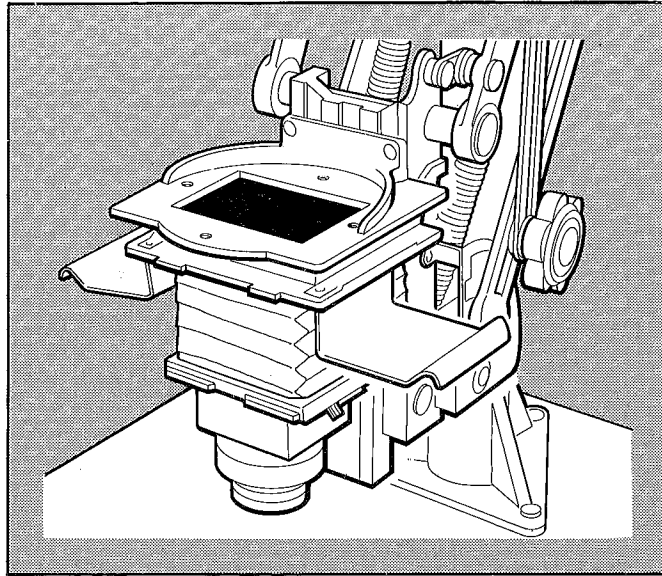
To remove the Agfa enlarger head, proceed as follows (refer also to the manufacturer's literature):

- 1 Lift the top half of the lamphouse away.
- 2 Remove the filter drawer.
- 3 Remove the retaining mask and lift out the condensers.
- 4 Release the four countersunk head screws from inside the bottom half of the lamphouse. Lift the lamphouse off the enlarger chassis.
- 5 Remove the negative carrier.

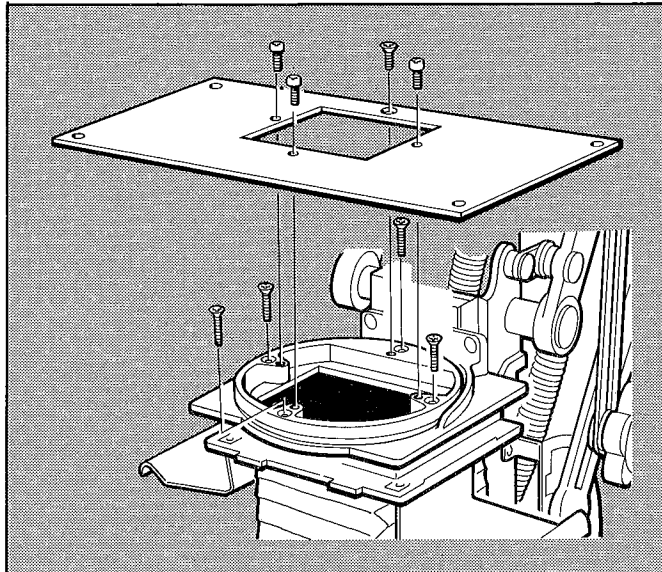
2

FITTING THE ILFOSPEED MULTIGRADE 500H ENLARGER HEAD

With the Agfa enlarger head removed, the enlarger is ready to accept the ILFOSPEED MULTIGRADE 500H enlarger head.

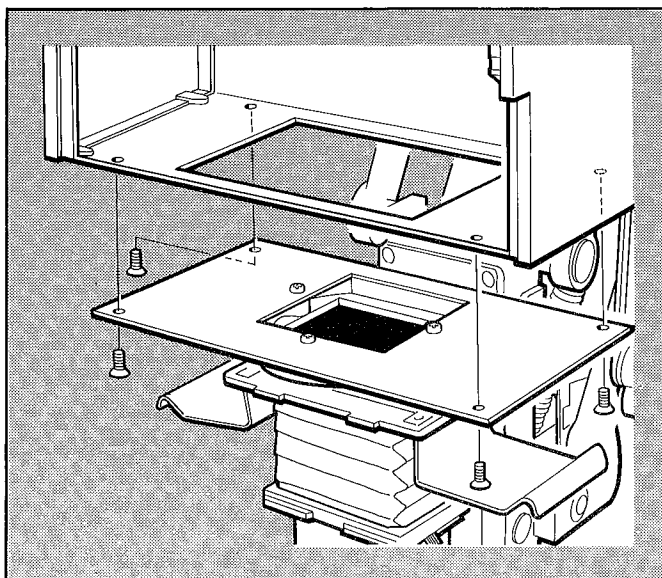


Position the spacer ring on the enlarger chassis, as shown, and secure with the four M3x16mm countersunk head screws. Secure the bottom closing plate to the spacer ring with the M3x8mm countersunk head screw, and the three M3x8mm pan head screws.



Position the ILFOSPEED MULTIGRADE 500H enlarger head upside down on a bench. Remove the four countersunk head screws and associated cup washers from the base. Discard the cup washers.

Secure the head to the bottom closing plate using the four countersunk head screws removed above.



1

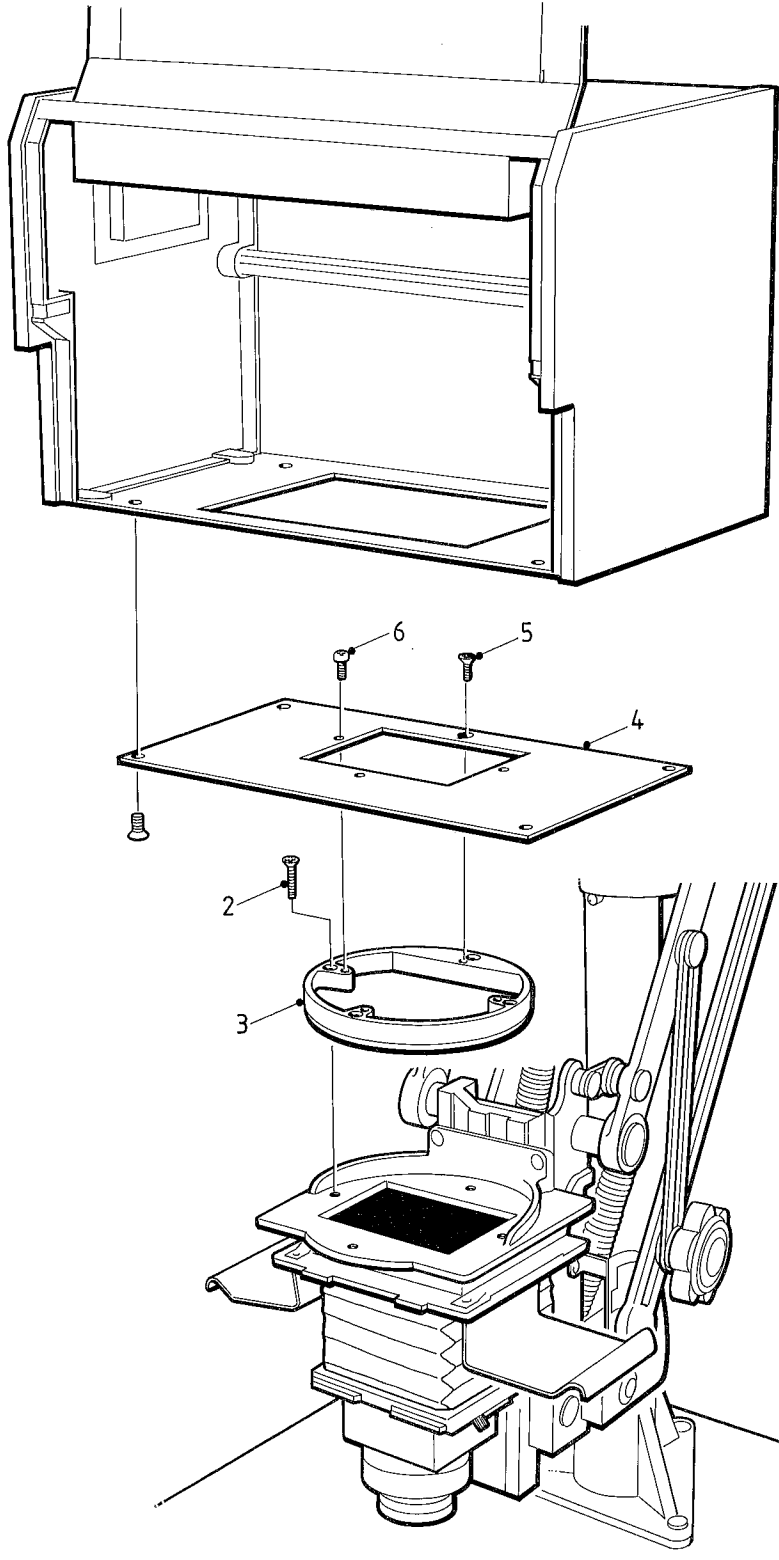


Figure 3.1

3 PARTS LIST

Figure 3.1 and the following table detail all spare parts that are available. When ordering spare parts, please quote the part number in order that ILFORD Limited may process your order quickly and efficiently.

Ref no. on figure 3.1	Part no.	Description	Quantity
1	6095-P-001	Adaptor kit, complete	
2	87990424	Screw, M3x16mm, countersunk head	4
3	6095-2-107	Spacer ring	1
4	6069-2-111	Bottom closing plate	1
5	87990421	Screw, M3x8mm, countersunk head	1
6	87989744	Screw, M3x8mm, pan head	3
7+	6069-2-106	Register plate, 35mm	1
8+	6069-2-107	Register plate, 6x7cm	1
9+	6091-3-003	Light mixing box, 35mm, 25mm drop	1
10+	6092-3-002	Light mixing box, 6x7cm, 14mm drop	1

+ items not illustrated.