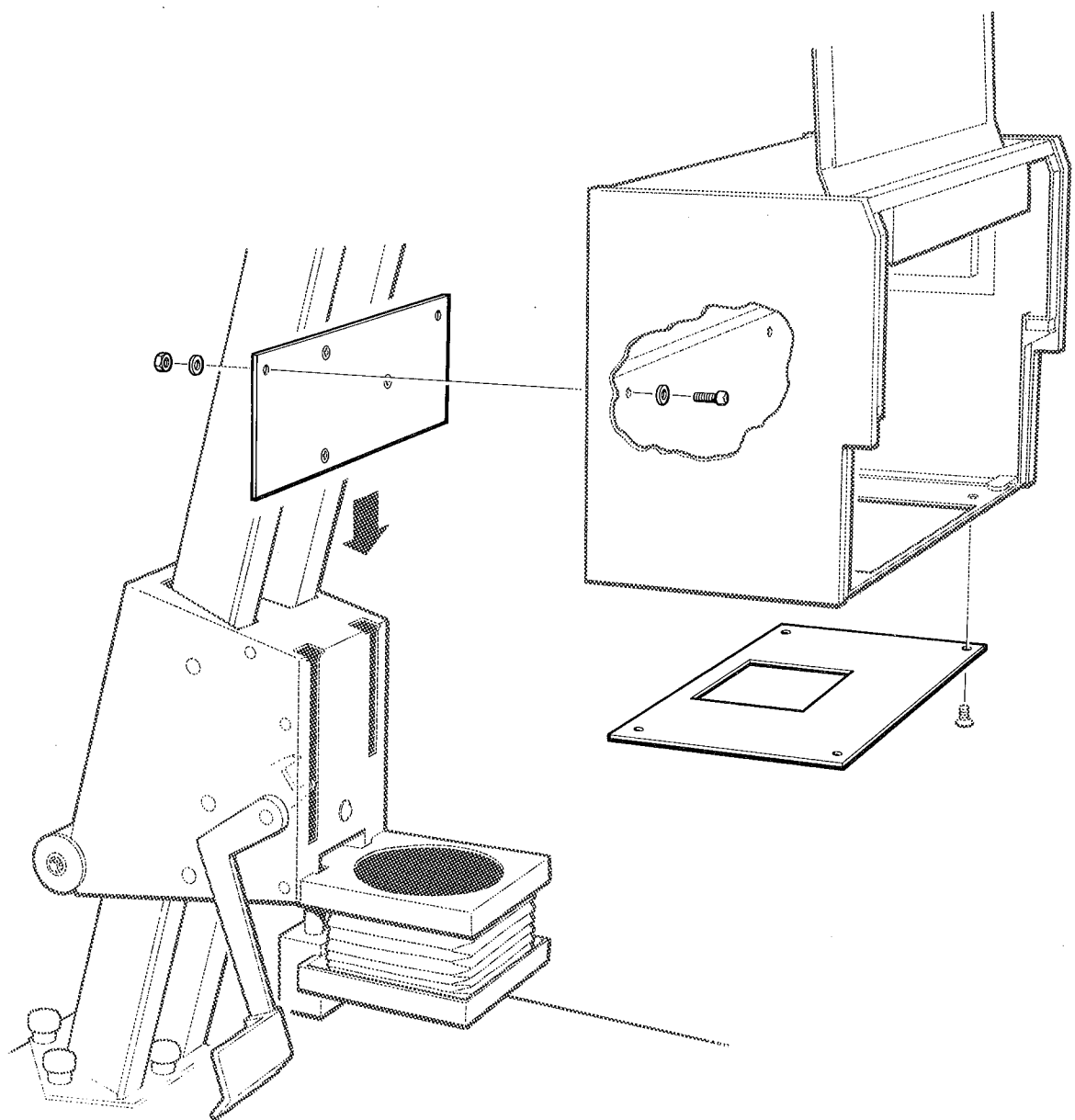


ILFOSPEED MULTIGRADE 500

ADAPTOR KIT FOR
THE OMEGA
SUPER CHROMEGA C
ENLARGER



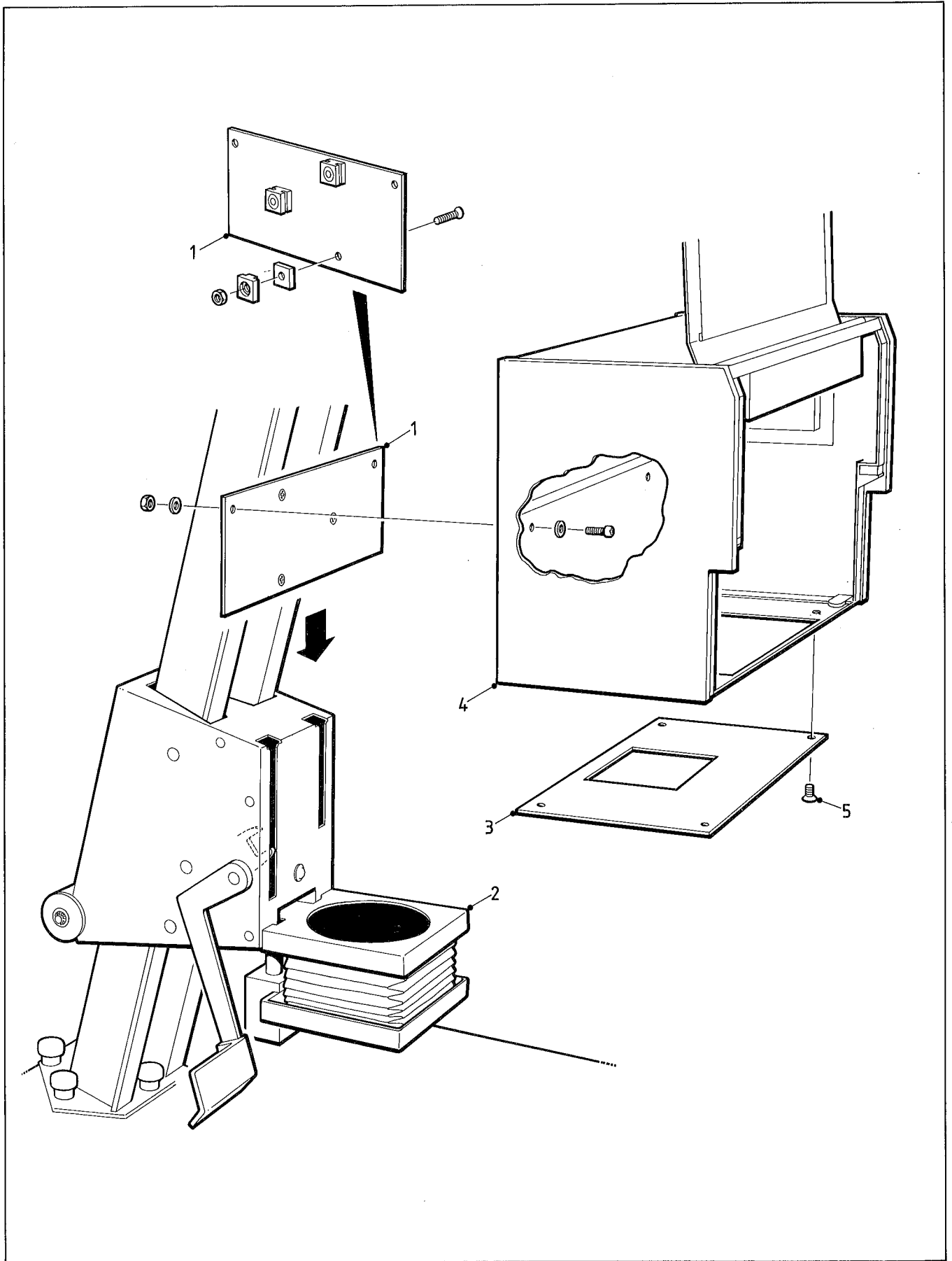


Figure 1.1

1 PRE-INSTALLATION

- 1 Adaptor plate assembly
- 2 Omega Super Chromega C chassis
- 3 Bottom closing plate
- 4 ILFOSPEED MULTIGRADE 500H enlarger head
- 5 Securing screw - bottom closing plate

1.1 Introduction

The adaptor kit (see figure 1.1) enables the ILFOSPEED MULTIGRADE 500H enlarger head to be fitted to the Omega Super Chromega C enlarger. Installation is straightforward provided the instructions in this manual are carefully followed. If you have any problems, please contact your nearest ILFORD selling company, the address of which can be found on the back cover of this manual.

Information regarding the fitting and changing of light mixing boxes is detailed in the ILFOSPEED MULTIGRADE 500 Operating manual, which must be read thoroughly before the equipment is used.

WARNING

To prevent irreparable damage to the equipment, do not use force when carrying out any of the following instructions. Because the lamp slides are free to move, handle the ILFORD ILFOSPEED MULTIGRADE 500H enlarger head with extreme care. Remove the lamps if you feel it is necessary.

1.2 Unpacking

The adaptor kit for the Omega Super Chromega C enlarger consists of the sub-assemblies detailed in table 1.1. Each sub-assembly is packed in a plastic bag, with the part number written on the bag. Please ensure you have all the correct items before proceeding with any of the fitting instructions (see also figure 1.1).

Table 1.1 Adaptor kit

Part no.	Description
6069-2-106	Register plate, 35mm
6069-2-107	Register plate, 6x7cm
6091-3-001	Light mixing box, 35mm
6092-3-001	Light mixing box, 6x7cm
6069-2-111	Bottom closing plate
6106-P-002	Sub kit

The sub kit, part number 6106-P-002, consists of the items detailed in table 1.2.

Table 1.2 Sub kit 6106-P-002

Description	Quantity
Adaptor plate	1
Modified location block	3
Modified location block (counter bored)	3
Screw, M4x12mm, countersunk head	3
Screw, M4x10mm, pan head	2
Nut, M4	5
Washer, M4, plain	4

1.3 Removing the Omega enlarger head

The Omega Super Chromega C enlarger head is counter balanced to be moved up and down the column with the minimum of effort. Before proceeding, ensure the chassis is positioned at a convenient working height and securely locked onto the column.

WARNING

Never lean over counter balanced enlargers; failure of the locking mechanism could cause injury.

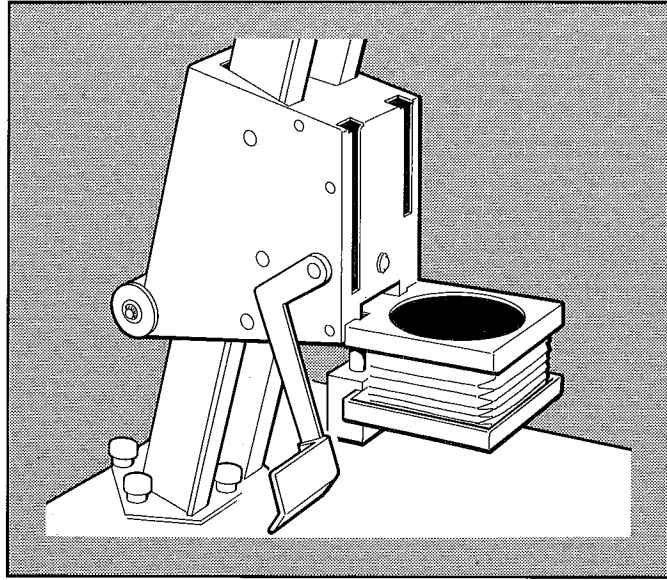
To remove the Omega enlarger head, proceed as follows (refer also to the manufacturer's literature):

- 1 Move the enlarger head lifting lever, located on the left hand side of the chassis, to its lowest position.
- 2 Lift the head off the chassis.

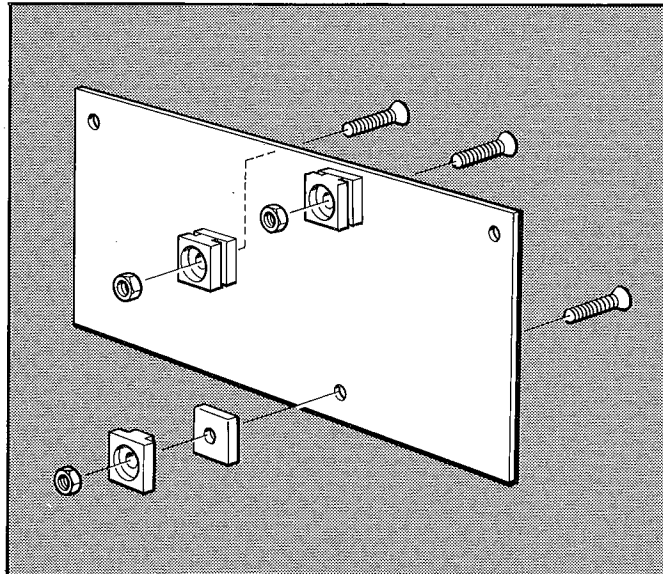
2

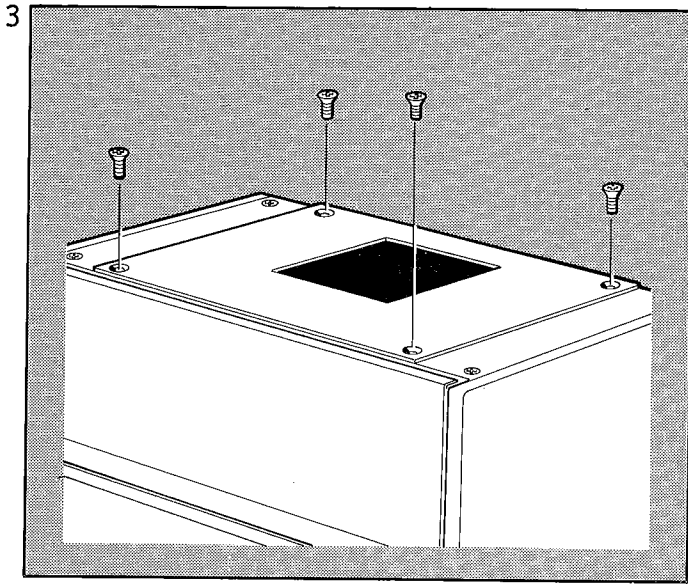
FITTING THE ILFOSPEED MULTIGRADE 500H ENLARGER HEAD

With the Omega enlarger head removed, the enlarger is ready to accept the ILFOSPEED MULTIGRADE 500H enlarger head.



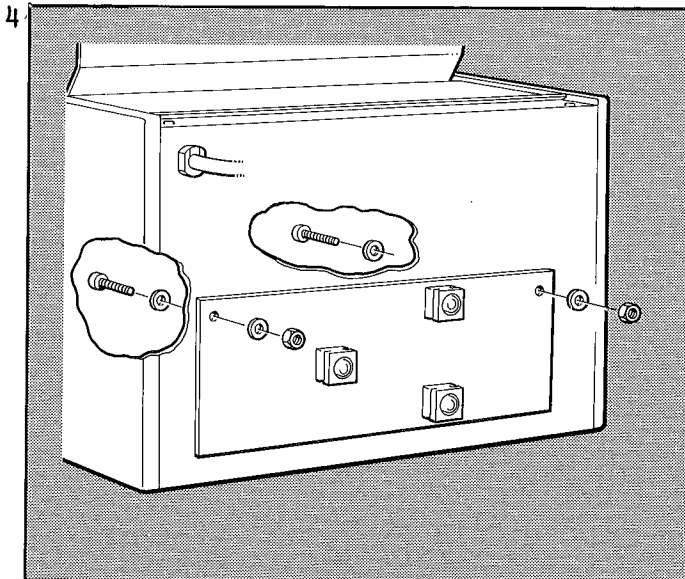
Assemble the three pairs of modified location blocks, as shown, to make three H shaped slide blocks. Secure them to the adaptor plate with the three M4x12mm countersunk head screws and associated nuts. Ensure the grooves on the assembled slide blocks are parallel to the short sides of the adaptor plate.





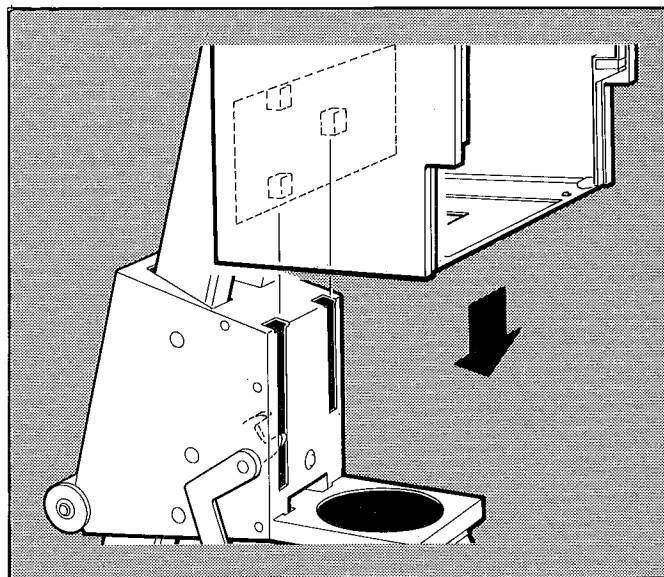
Position the ILFOSPEED MULTIGRADE 500H enlarger head upside down on a bench. Remove the four countersunk head screws and associated cup washers from the base. Discard the cup washers.

Secure the bottom closing plate to the base of the enlarger head using the four countersunk head screws removed above.



With the enlarger head the correct way up, raise the front cover and move both lamps towards each other to expose the two fixing holes in the rear panel. Push out the blanking plugs. Secure the adaptor plate assembly to the back of the enlarger head with the two M4x10mm pan head screws and associated nuts and washers.

Slide the enlarger head down the column onto the enlarger chassis, locating the slide blocks in the column grooves. Ensure the left hand lower slide block engages in the fork of the enlarger head lifting lever mechanism.



5

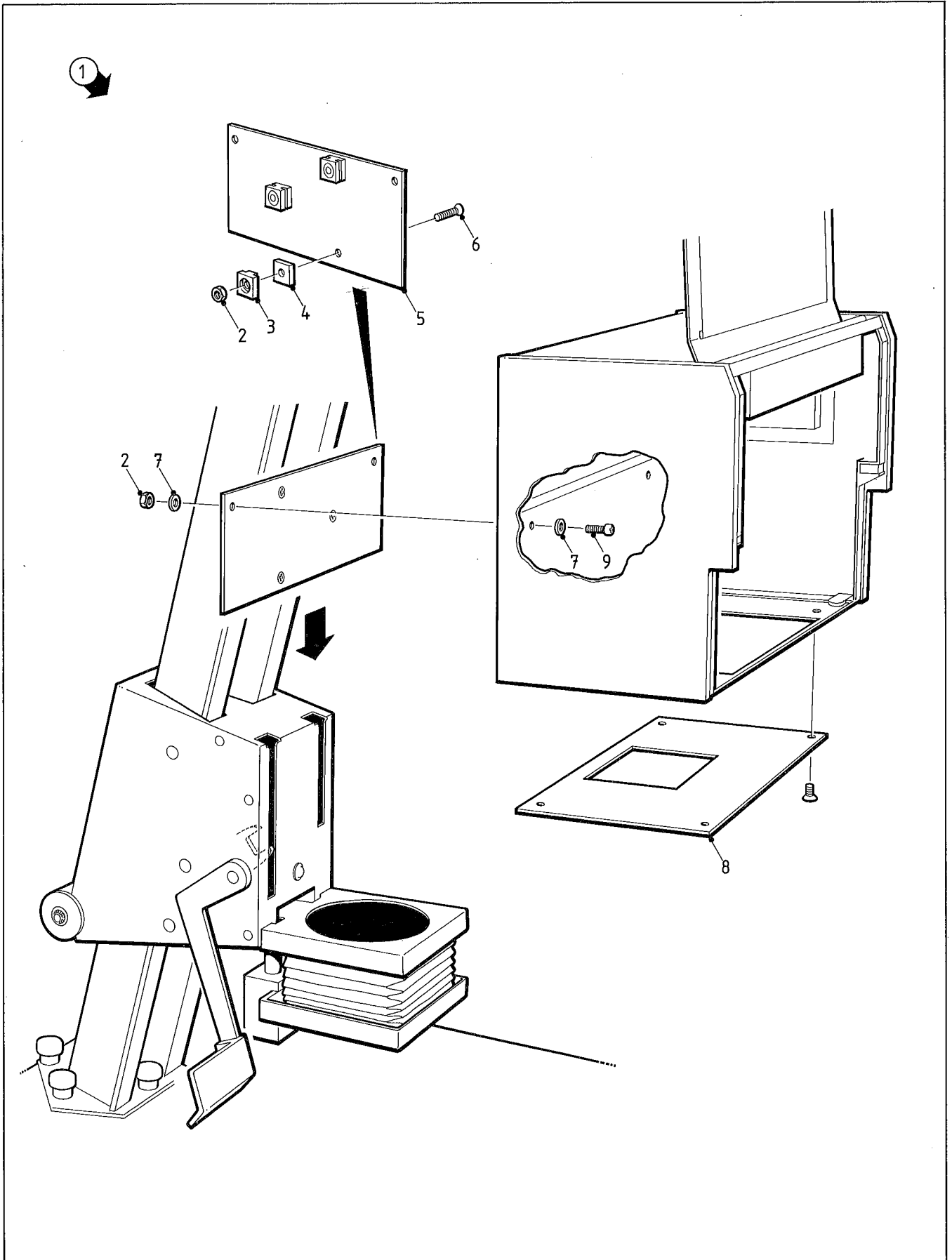


Figure 3.1

3 PARTS LIST

Figure 3.1 and the following table detail all spare parts that are available. When ordering spare parts, please quote the part number in order that ILFORD Limited may process your order quickly and efficiently.

Ref no. on figure 3.1	Part no.	Description	Quantity
1	6106-P-001	Adaptor kit, complete	
2	86203904	Nut, M4	5
3	6106-4-102	Modified location block (counter bored)	3
4	6106-4-101	Modified location block	3
5	6106-2-100	Adaptor plate	1
6	87990450	Screw, M4x12mm, countersunk head	3
7	89730454	Washer, M4, plain	4
8	6069-2-111	Bottom closing plate	1
9	87989772	Screw, M4x10mm, pan head	2
10+	6069-2-106	Register plate, 35mm	1
11+	6069-2-107	Register plate, 6x7cm	1
12+	6091-3-001	Light mixing box, 35mm, 4mm drop	1
13+	6092-3-001	Light mixing box, 6x7cm, 4mm drop	1

+ items not illustrated