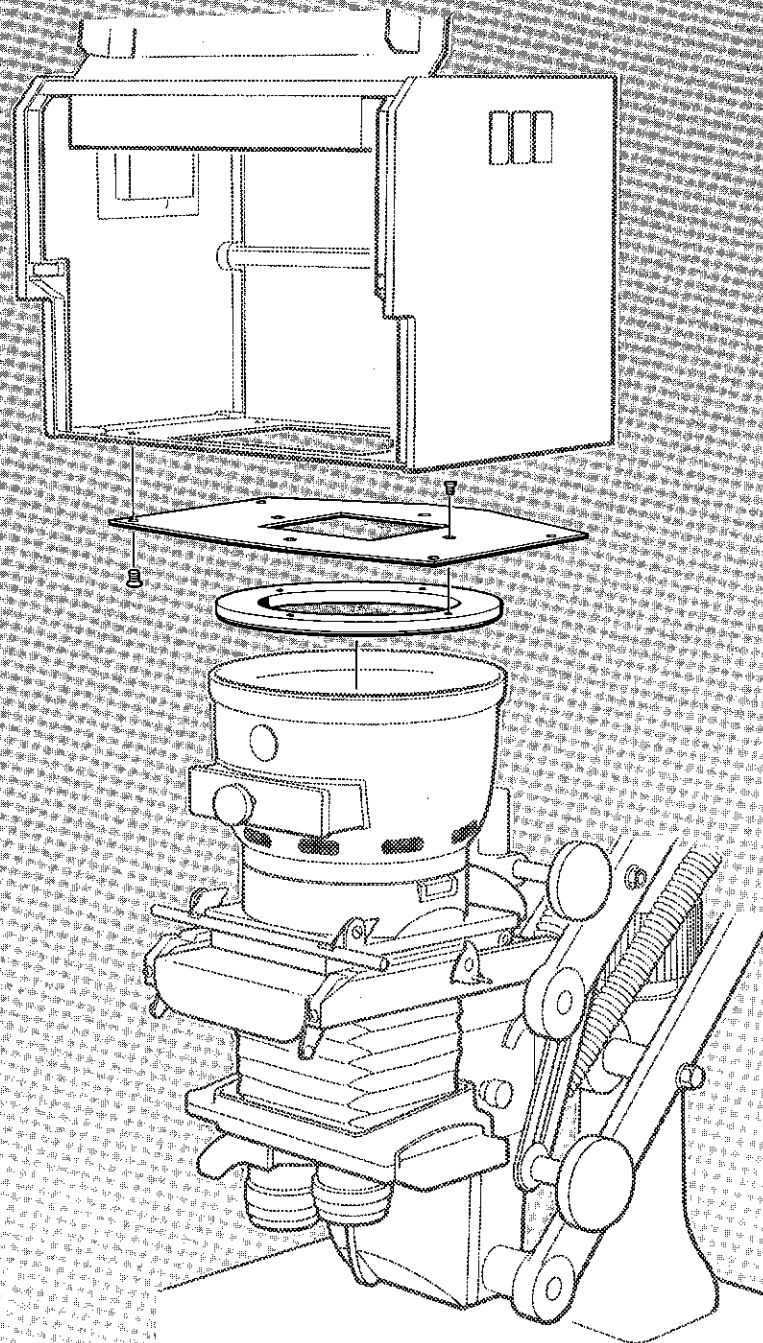


ILFOSPEED MULTIGRADE 500

ADAPTOR KIT FOR
THE LETZ IC
ENLARGER



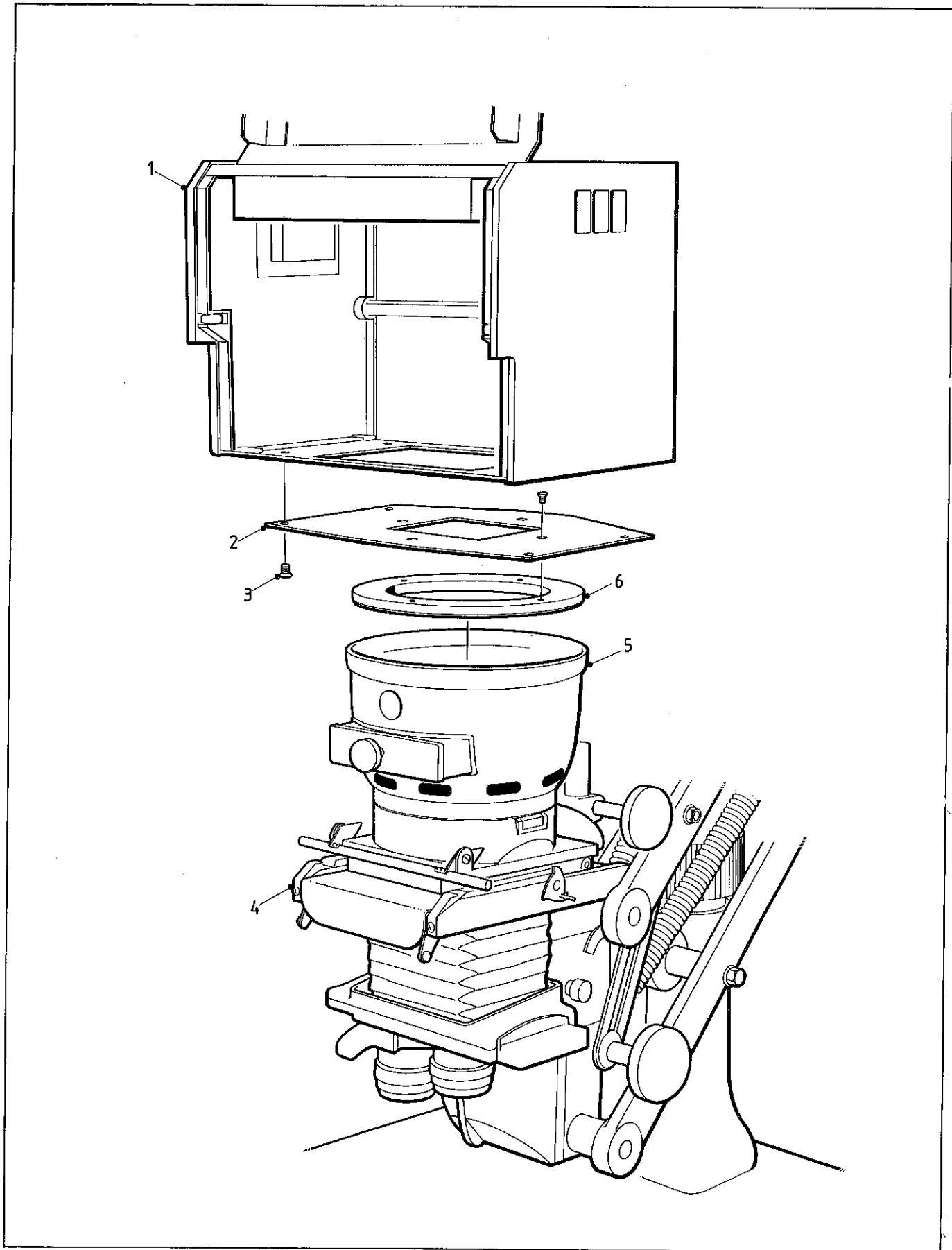


Figure 1.1

1 PRE-INSTALLATION

- 1 ILFOSPEED
MULTIGRADE 500H
enlarger head
- 2 Adaptor plate
- 3 Securing screw -
adaptor plate
- 4 Leitz IIC chassis
- 5 Lamphouse lower
bowl
- 6 Locating ring

1.1 Introduction

The adaptor kit (see figure 1.1) enables the ILFOSPEED MULTIGRADE 500H enlarger head to be fitted to the Leitz IIC enlarger. Installation is straightforward provided the instructions in this manual are carefully followed. If you have any problems, please contact your nearest ILFORD selling company, the address of which can be found on the back cover of this manual.

The ILFOSPEED MULTIGRADE 500H enlarger head is a diffuser light source. It is designed to replace the original light source and condensers on a condenser enlarger, using a specially designed adaptor kit. With the diffuser series of adaptor kits, condenser enlargers are converted to diffuser enlargers, and a maximum of three light mixing boxes are supplied for negative sizes 35mm, 6x7cm and 4x5 inches, as appropriate. However, this adaptor kit is one of a new generation of adaptor kits specially designed to enable your enlarger to be used with its condensers and so retain all the characteristics associated with a condenser enlarger. This adaptor kit is supplied with just one light mixing box which is suitable for all negative sizes, limited only by your enlarger.

Information regarding the fitting of light mixing boxes is detailed in the ILFOSPEED MULTIGRADE 500 Operating manual, which must be read thoroughly before the equipment is used.

WARNING

To prevent irreparable damage to the equipment, do not use force when carrying out any of the following instructions. Because the lamp slides are free to move, handle the ILFORD ILFOSPEED MULTIGRADE 500H enlarger head with extreme care. Remove the lamps if you feel it is necessary.

1.2 Unpacking

The adaptor kit for the Leitz IIC enlarger consists of the sub-assemblies detailed in table 1.1. Each sub-assembly is packed in a plastic bag, with the part number written on the bag. Please ensure you have all the correct items before proceeding with any of the fitting instructions (see also figure 1.1).

Table 1.1 Adaptor kit

Part no.	Description
6069-2-106	Register plate, 35mm
6091-3-001	Light mixing box, 35mm
6154-P-002	Sub kit

The sub kit, part number 6154-P-002, consists of the items detailed in table 1.2.

Table 1.2 Sub kit 6154-P-002

Description	Quantity
Adaptor plate	1
Locating ring	1
Screw, M4x8mm, countersunk head	4

1.3 Preparing the Leitz enlarger head

The Leitz IIC enlarger head is counter balanced to be moved up and down with the minimum of effort. Before proceeding, ensure the chassis is positioned at a convenient working height and securely locked.

WARNING

Never lean over counter balanced enlargers; failure of the locking mechanism could cause injury.

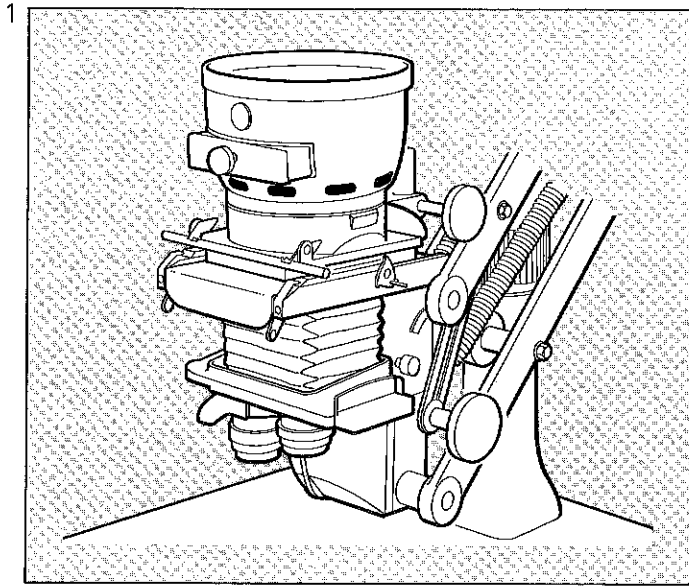
To prepare the Leitz enlarger head, proceed as follows (refer also to the manufacturer's literature):

- 1 Unplug the lamphouse supply cable from the top of the column.
- 2 Carefully separate the two sections of the lamphouse and lift the top half away.

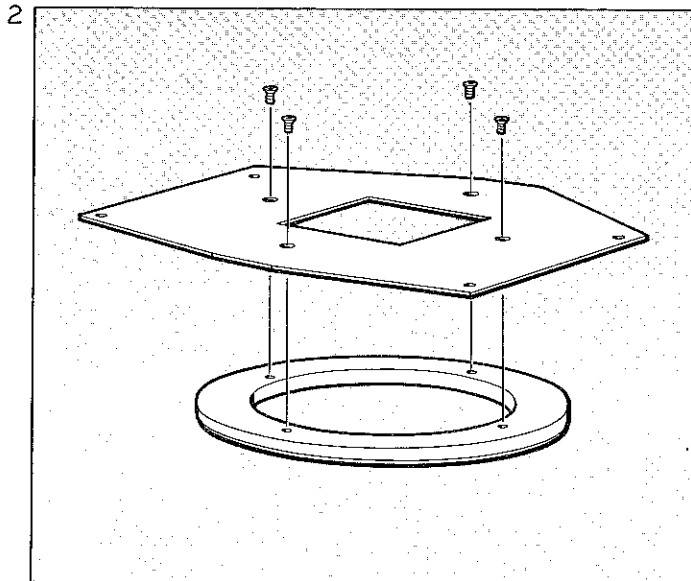


2

FITTING THE ILFOSPEED MULTIGRADE 500H ENLARGER HEAD



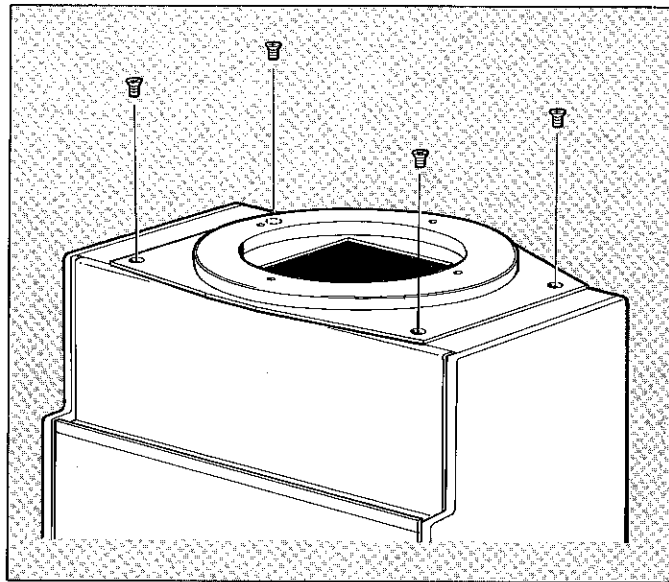
The Leitz enlarger is now ready to accept the ILFOSPEED MULTIGRADE 500H enlarger head.



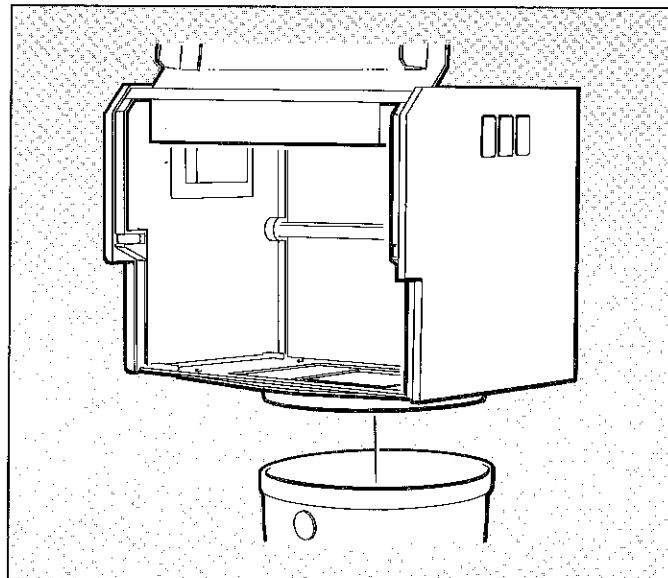
Secure the locating ring to the adaptor plate, as shown, with the four M4x8mm countersunk head screws.

Position the ILFOSPEED MULTIGRADE 500H enlarger head upside down on a bench. Remove the four countersunk head screws and associated cup washers from the base. Discard the cup washers.

Secure the adaptor assembly to the head using the four countersunk head screws removed above.



Position the head squarely on the enlarger, as shown. Ensure the head is located securely onto the lamphouse lower bowl.



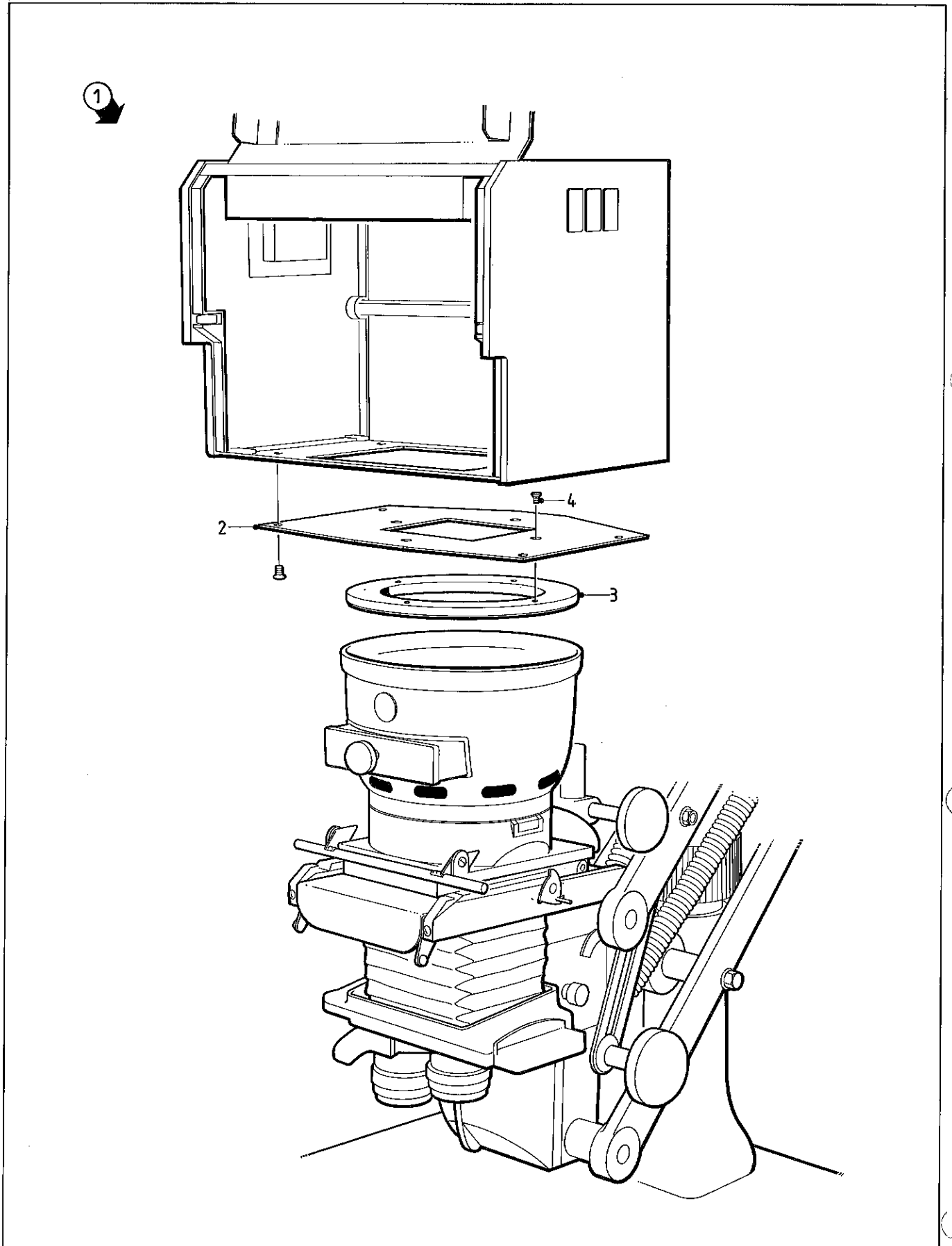


Figure 3.1

3 PARTS LIST

Figure 3.1 and the following table detail all spare parts that are available. When ordering spare parts, please quote the part number in order that ILFORD Limited may process your order quickly and efficiently.

Ref no. on figure 3.1	Part no.	Description	Quantity
1	6154-P-001	Adaptor kit, complete	
2	6154-2-100	Adaptor plate	1
3	6154-3-101	Locating ring	1
4	87990448	Screw, M4x8mm, countersunk head	4
5+	6069-2-106	Register plate, 35mm	1
6+	6091-3-001	Light mixing box, 35mm, 4mm drop	1

+ items not illustrated.