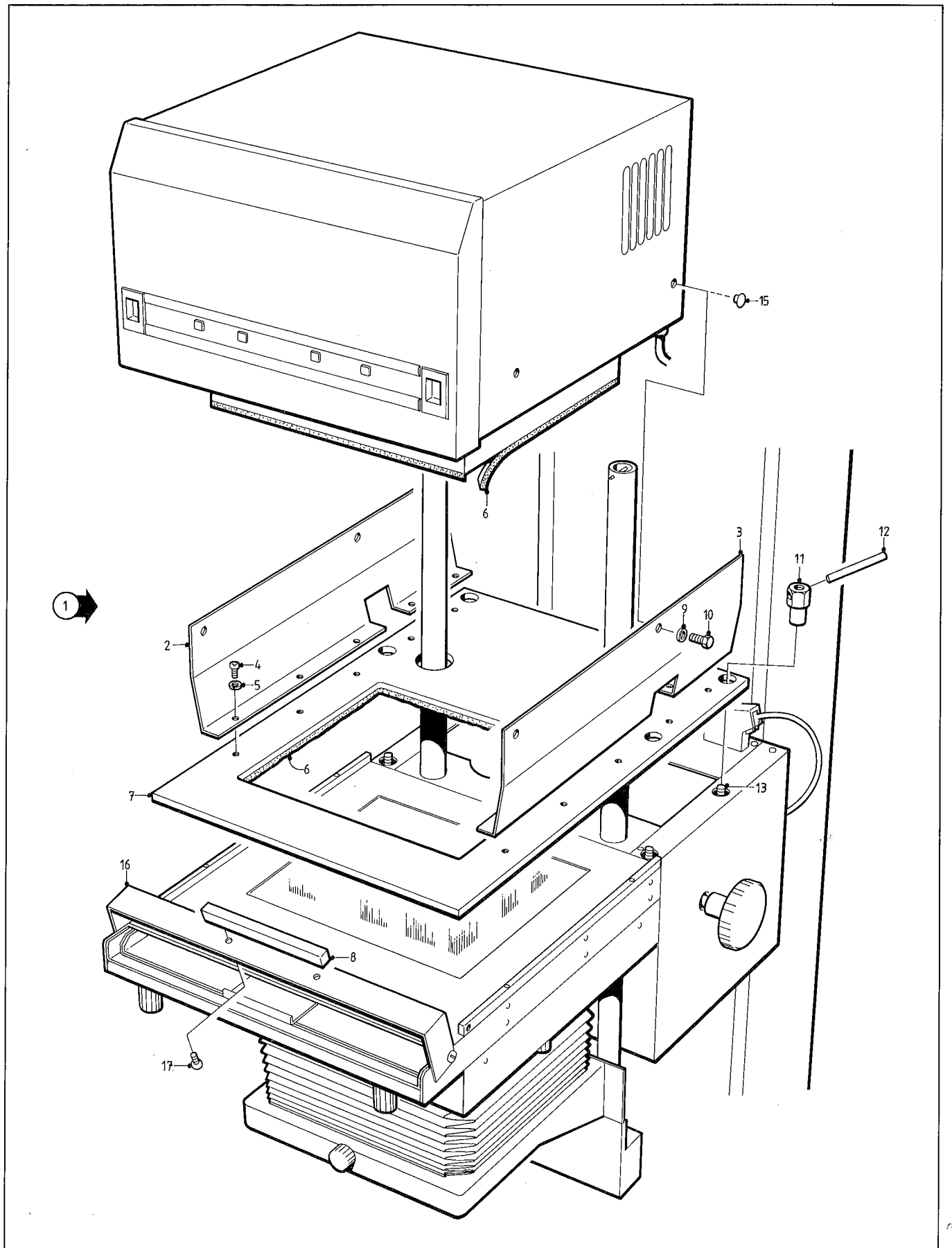


ILFORD MULTIGRADE 500LE

ADAPTOR KIT FOR THE DURST 184 AND 1840 ENLARGERS



FITTING INSTRUCTIONS

Parts list

Ref no. on fig	Part no.	Description	Quantity
1	6184-P-004	Adaptor kit, complete	1
2	6184-1-113	Mounting bracket, left hand	1
3	6184-1-114	Mounting bracket, right hand	1
4	87992750	Screw, M4x8mm, phd	10
5	89730541	Washer, M4, spring	10
6	89014016	Foam sealing strip	3m
7	6184-1-112	Mounting plate	1
8	6184-4-116	* Handle	1
9	89730456	Washer, M6, plain	4
10	87989346	Screw, M6x10mm, hex hd	4
11	6184-4-115	Extended nut	4
12	6184-4-117	Tommy bar	1
13	87993536	** Screw, M8x100mm, socket head	4
14+	80004006	** Socket wrench, M6 AF	1
<hr/>			
Other Items			
13+	-	* Original screw (captive)	
15	-	Blanking plug	
16	-	Negative carrier door	
17	-	Securing screw, handle	

+ items not illustrated

Notes

- 1 Items without part numbers are not included in the adaptor kit and are listed for identification only.
- * Used on Durst 1840 only.
 - ** Used on Durst 184 only.

Notes for fitting

The figure shows the Durst 1840 enlarger only.

Unless otherwise stated, the following sequence is the same for both Durst 184 and 1840 enlargers.

WARNING

Never lean over counter balanced enlargers; failure of the locking mechanism could cause injury.

- 1 Remove the enlarger negative carrier.
- 2 Disconnect the original head from the electrical supply. Release the four retaining bolts and lift the head off the enlarger chassis.
- 3 Secure the left and right hand mounting brackets to the mounting plate, each with five M4x8mm pan head screws and spring washers, as shown.
- 4 Stick four pieces of sealing tape, from the length supplied, to the bottom of the light mixing box shroud, as shown. The tape will form a light tight seal when the head is in position.
- 5 Remove the four blanking plugs from the enlarger head. Secure the head to the mounting plate assembly with the four M6x10mm hexagonal head screws and washers, as shown.

Note

It may be necessary to push the head down onto the mounting plate, in order to compress the sealing tape and locate the screws.

- 6 Durst 1840 enlarger only. Stick four pieces of sealing tape, from the length supplied, to the lower surface of the mounting plate aperture, as shown. The tape will form a light tight seal when the assembly is in position on the enlarger chassis.
- 7 Durst 1840 enlarger only. Remove the negative carrier door, by releasing the two screws. Remove the handle from the door, by releasing the two screws. Secure the replacement handle supplied using the original two screws. Refit the negative carrier door.

Note

This operation is necessary to prevent the original handle from fouling on the adaptor mounting plate.

- 8 Locate the enlarger head assembly onto the enlarger chassis, as shown.
- 9 Durst 1840 enlarger only. Secure the mounting plate with the four extended nuts and the four original captive screws, as shown.
- 10 Durst 184 enlarger only. Secure the mounting plate with the four M8x100mm socket head screws (supplied) and extended nuts, as shown. A socket wrench is supplied to tighten the screws