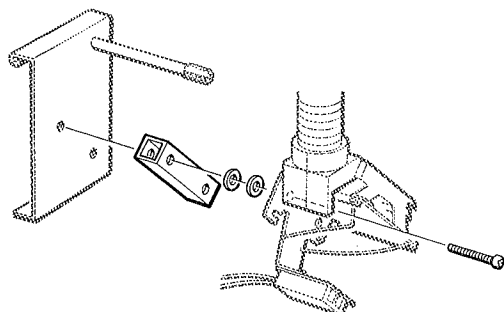
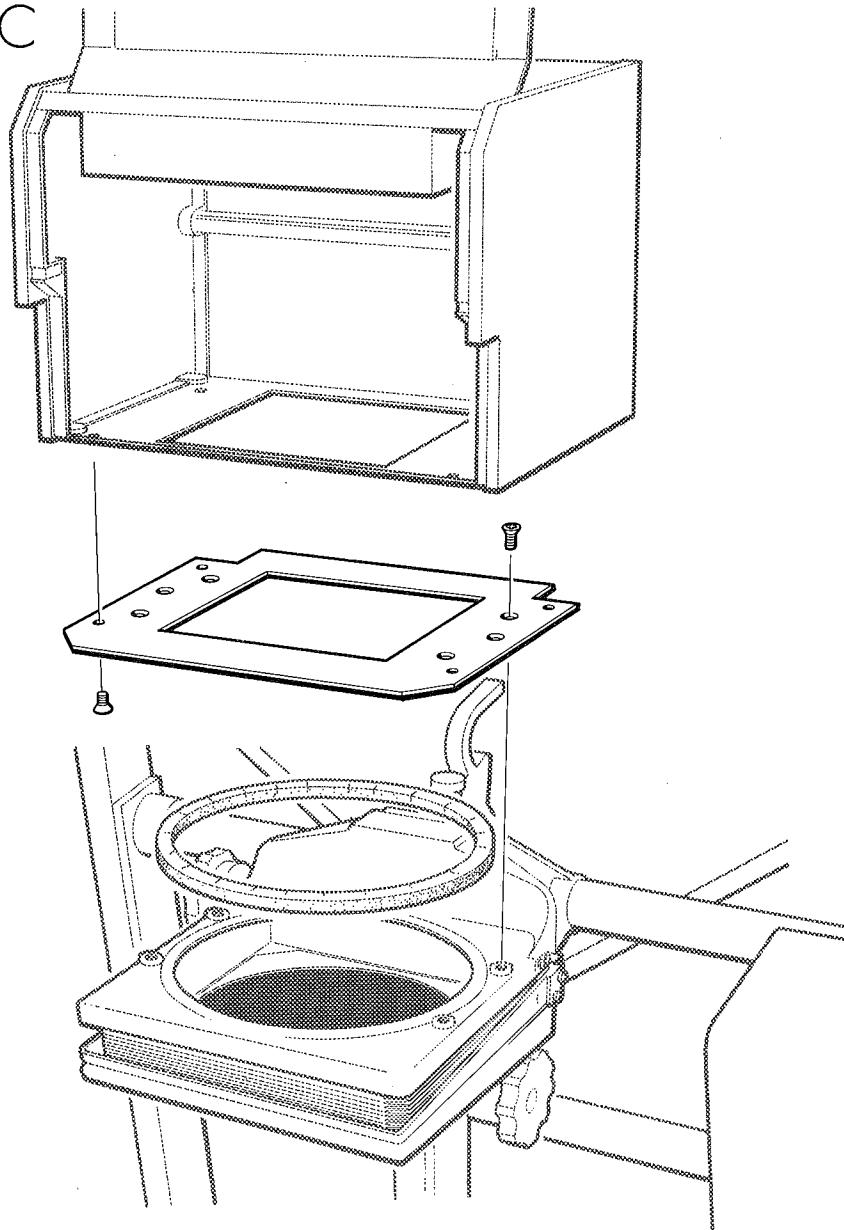


ILFOSPEED MULTIGRADE 500

ADAPTOR KIT FOR
THE BESELER 45C
ENLARGER



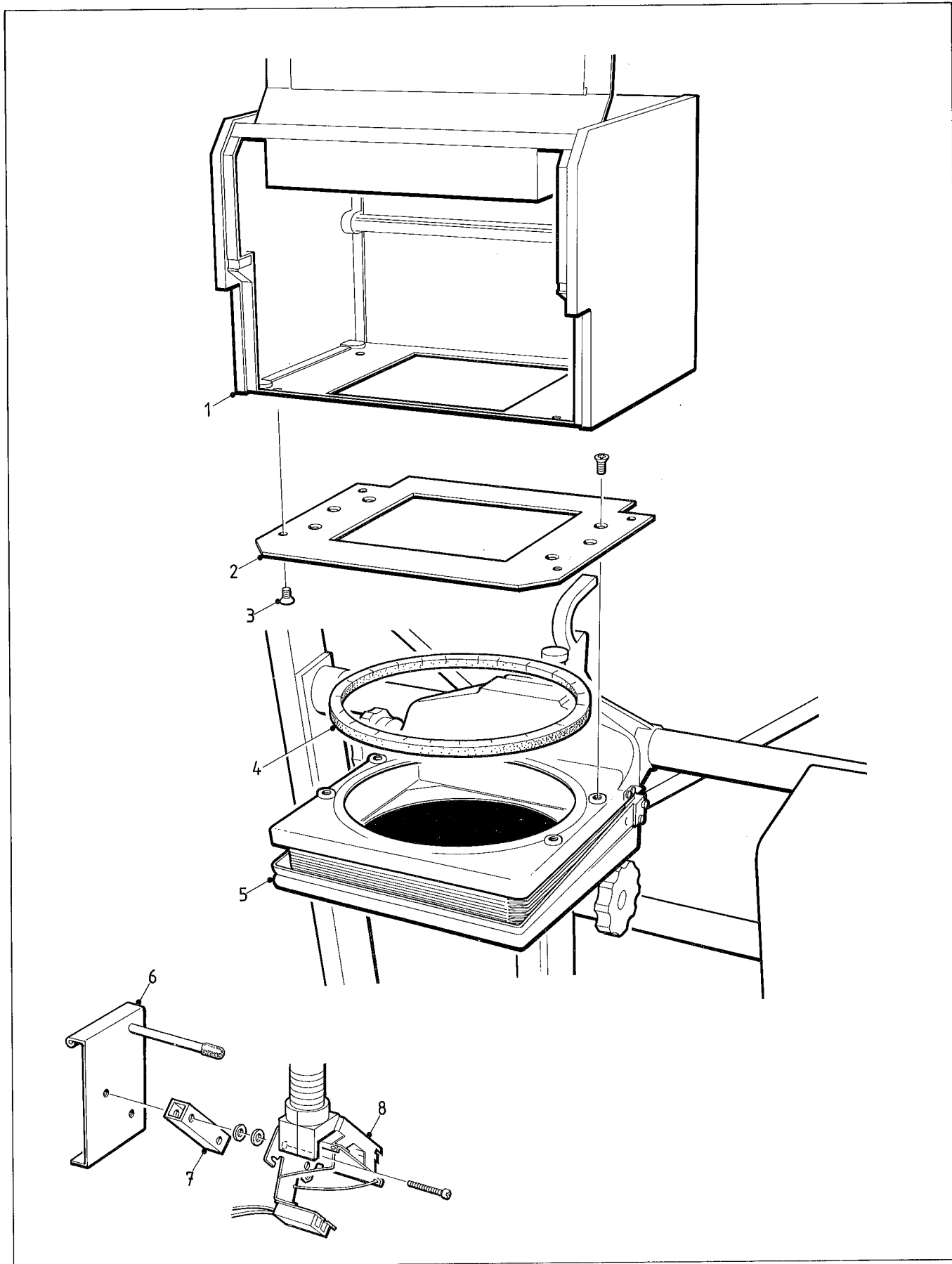


Figure 1.1

1 PRE-INSTALLATION

- 1 ILFOSPEED MULTIGRADE 500H enlarger head
- 2 Adaptor plate
- 3 Securing screw - adaptor plate
- 4 Foam sealing tape
- 5 Beseler 45C chassis
- 6 Lampholder slide - left hand
- 7 Packing block
- 8 Lampholder - left hand

1.1 Introduction

The adaptor kit (see figure 1.1) enables the ILFOSPEED MULTIGRADE 500H enlarger head to be fitted to the Beseler 45C enlarger. Installation is straightforward provided the instructions in this manual are carefully followed. If you have any problems, please contact your nearest ILFORD selling company, the address of which can be found on the back cover of this manual.

Information regarding the fitting and changing of light mixing boxes is detailed in the ILFOSPEED MULTIGRADE 500 Operating manual, which must be read thoroughly before the equipment is used.

WARNING

To prevent irreparable damage to the equipment, do not use force when carrying out any of the following instructions. Because the lamp slides are free to move, handle the ILFORD ILFOSPEED MULTIGRADE 500H enlarger head with extreme care. Remove the lamps if you feel it is necessary.

1.2 Unpacking

The adaptor kit for the Beseler 45C enlarger consists of the sub-assemblies detailed in table 1.1. Each sub-assembly is packed in a plastic bag, with the part number written on the bag. Please ensure you have all the correct items before proceeding with any of the fitting instructions (see also figure 1.1).

Table 1.1 Adaptor kit

Part no.	Description
6069-2-108	Register plate, 35mm
6069-2-109	Register plate, 6x7cm
6091-3-005	Light mixing box, 35mm
6092-3-005	Light mixing box, 6x7cm
6094-3-002	Light mixing box, 4x5 inches
6069-P-002	Packing block sub kit
6094-P-004	Sub kit
6094-P-003	Sub kit

The packing block sub kit, part number 6069-P-002, consists of the items detailed in table 1.2.

**Table 1.2 Packing block sub kit
6069-P-002**

Description	Quantity
Packing block	2
Screw, M3x25mm, pan head	4
Washer, M3, plain	8

The sub kit, part number 6094-P-004, consists of the item detailed in table 1.3.

Table 1.3 Sub kit 6094-P-004

Description	Quantity
Adaptor plate	1

The sub kit, part number 6094-P-003, consists of the items detailed in table 1.4.

Table 1.4 Sub kit 6094-P-003

Description	Quantity
Screw, 8-32 UNC x $\frac{3}{8}$ inch, countersunk head	4
Foam rubber sealing tape	620mm

1.3 Removing the Beseler enlarger head

Ensure the enlarger head is positioned at a convenient working height.

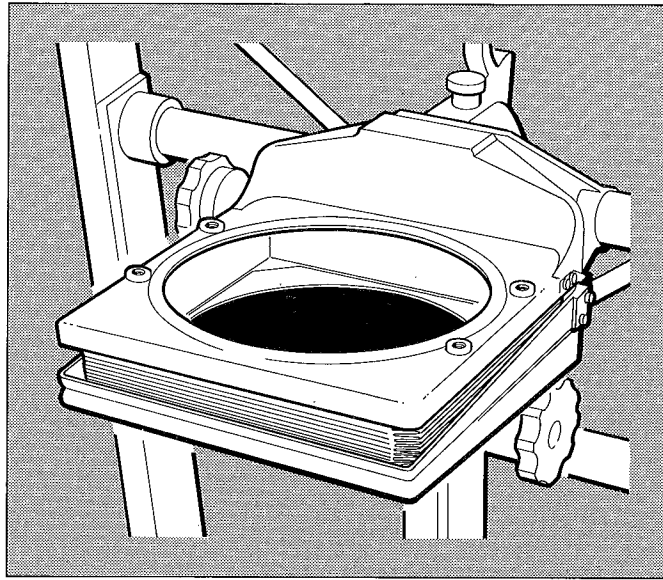
To remove the Beseler enlarger head, proceed as follows (refer also to the manufacturer's literature):

- 1 Carefully remove the condenser lenses.
- 2 Unplug the lamphouse from the socket located on the right of the enlarger.
- 3 Pull the two securing catches forwards and lift the lamphouse off the chassis.
- 4 Remove the securing catches by releasing the four screws (two on each catch).
- 5 Ensure the upper bellows unit is completely compressed. This is the correct operating configuration for the ILFOSPEED MULTIGRADE 500H enlarger head.

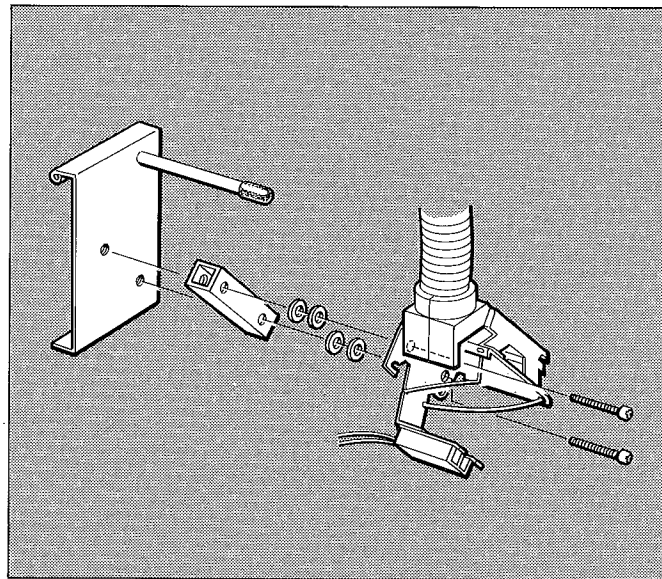
2

FITTING THE ILFOSPEED MULTIGRADE 500H ENLARGER HEAD

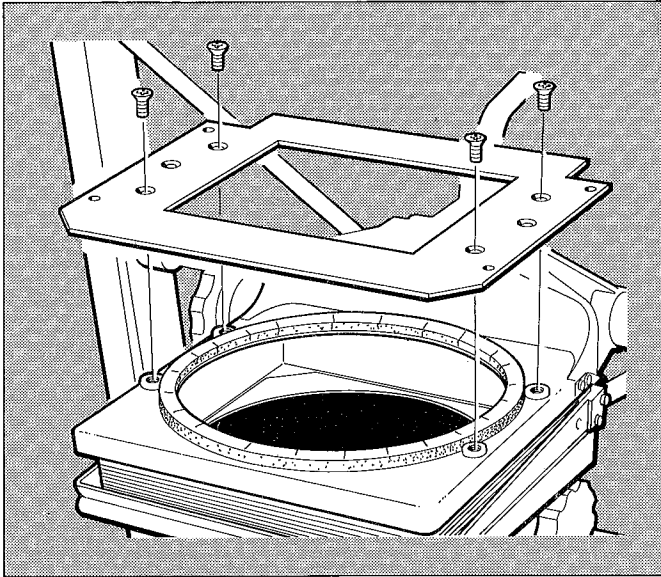
With the Beseler enlarger head removed, the enlarger is ready to accept the ILFOSPEED MULTIGRADE 500H enlarger head.



Remove the two lamps and the two screws securing each lampholder to its slide. Re-assemble the left hand lampholder to the slide using the spacer block, and two of the M3x25mm pan head screws and associated washers, as shown. Repeat for the right hand lampholder. Ensure full movement of the lampholders. Refit the lamps.

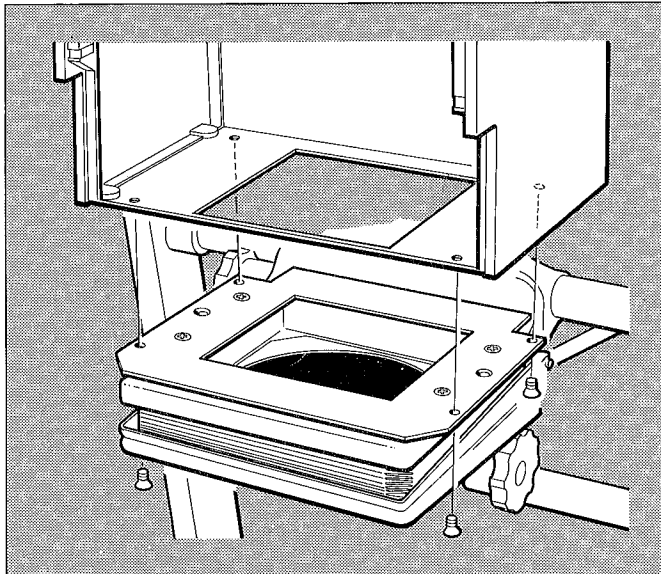


3



Apply the sealing tape around the circular recess in the enlarger chassis, as shown. Secure the adaptor plate to the chassis with the four 8-32 UNC x $\frac{3}{8}$ inch countersunk head screws. Ensure a light tight seal is obtained around the sealing tape and adaptor plate interface.

4



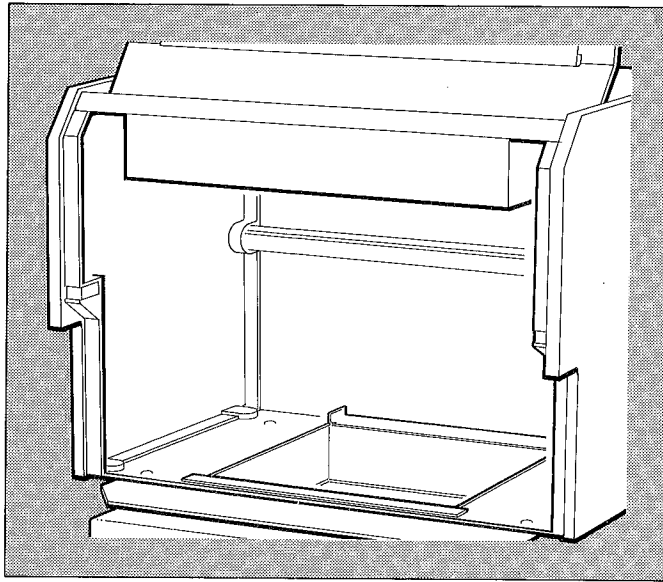
Position the ILFOSPEED MULTIGRADE 500H enlarger head upside down on a bench. Remove the four countersunk head screws and associated cup washers from the base. Discard the cup washers.

Secure the enlarger head to the adaptor plate using the four countersunk head screws removed above.

The 4x5 inch light mixing box supplied is unique to the Beseler 45C enlarger. Because of the large drop-in depth, it is fitted in two parts. Insert the lower well into the head, with the larger lip towards the back of the head, then locate the upper section on top of the well.

Note

Only the lower well is shown in position.



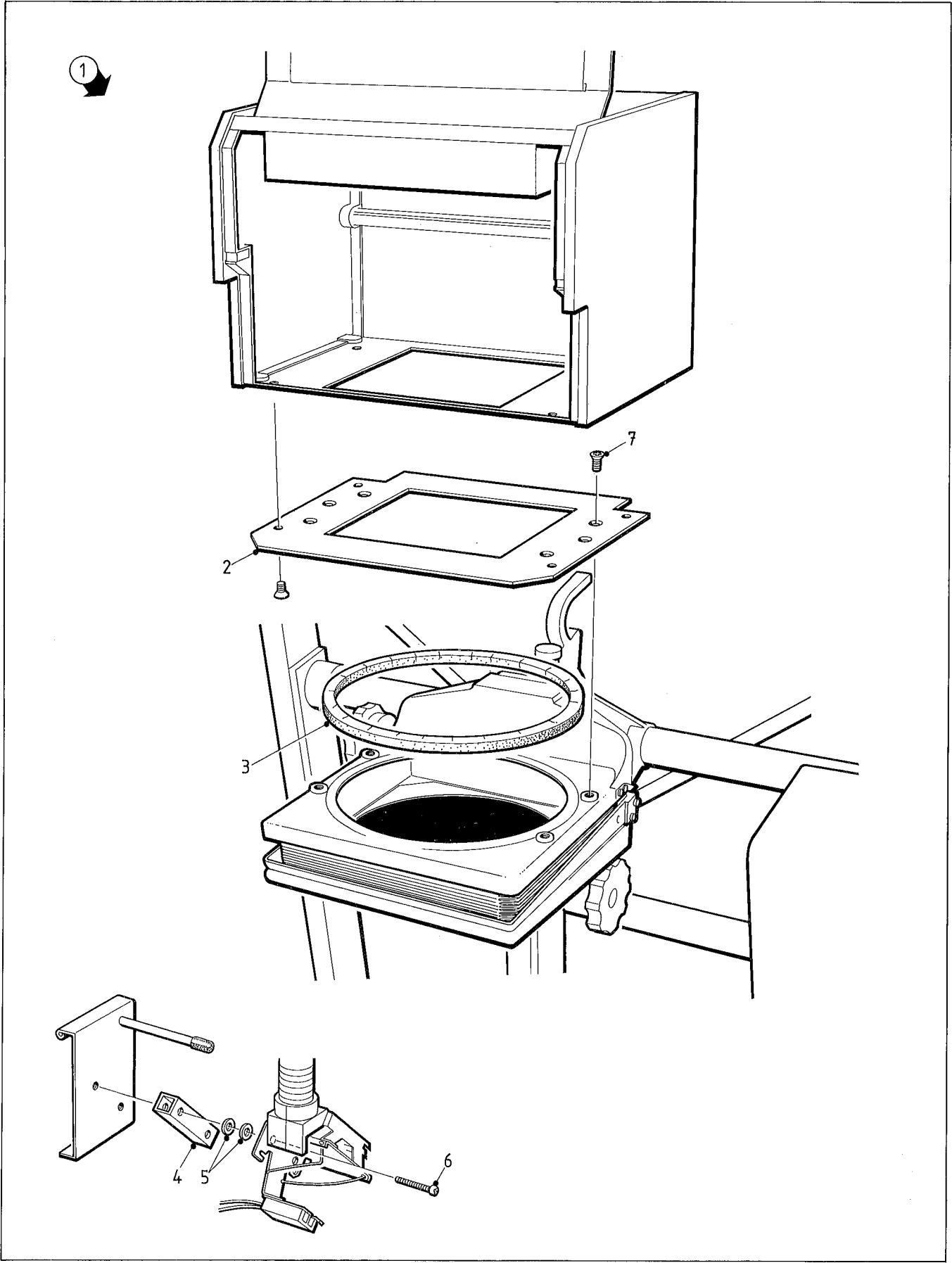


Figure 3.1

3**PARTS
LIST**

Figure 3.1 and the following table detail all spare parts that are available. When ordering spare parts, please quote the part number in order that ILFORD Limited may process your order quickly and efficiently.

Ref no. on figure 3.1	Part no.	Description	Quantity
1	6094-P-001	Adaptor kit, complete	
2	6094-1-107	Adaptor plate	1
3	89014015	Foam sealing tape, 6x9mm	620mm
4	6069-4-110	Packing block	2
5	89730453	Washer, M3, plain	8
6	87989749	Screw, M3x25mm, pan head	4
7	87993588	Screw, 8-32 UNC x 3/8 inch, countersunk head	4
8+	6069-2-108	Register plate, 35mm	1
9+	6069-2-109	Register plate, 6x7cm	1
10+	6091-3-005	Light mixing box, 35mm, 45mm drop	1
11+	6092-3-005	Light mixing box, 6x7cm, 45mm drop	1
12+	6094-3-002	Light mixing box, 4x5 inches, 45mm drop	1

+ items not illustrated