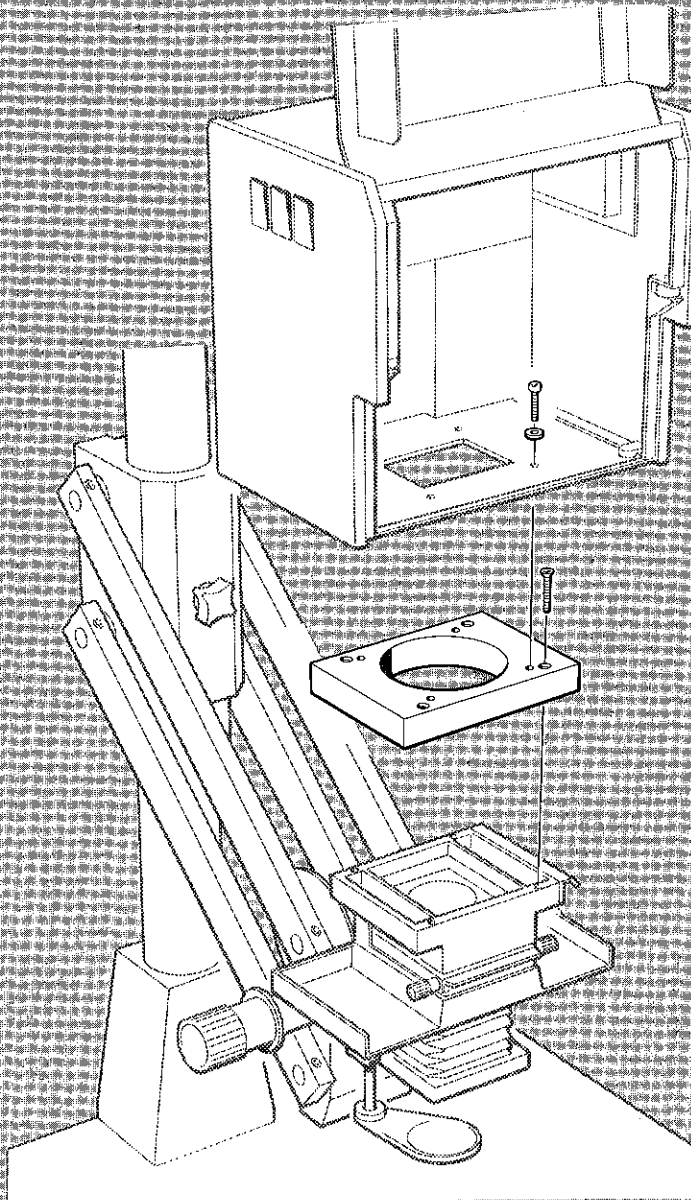


# ILFORD MULTIGRADE 500

ADAPTOR KIT  
FOR  
THE IFF AUREGON  
ENLARGER



**CONDENSER**

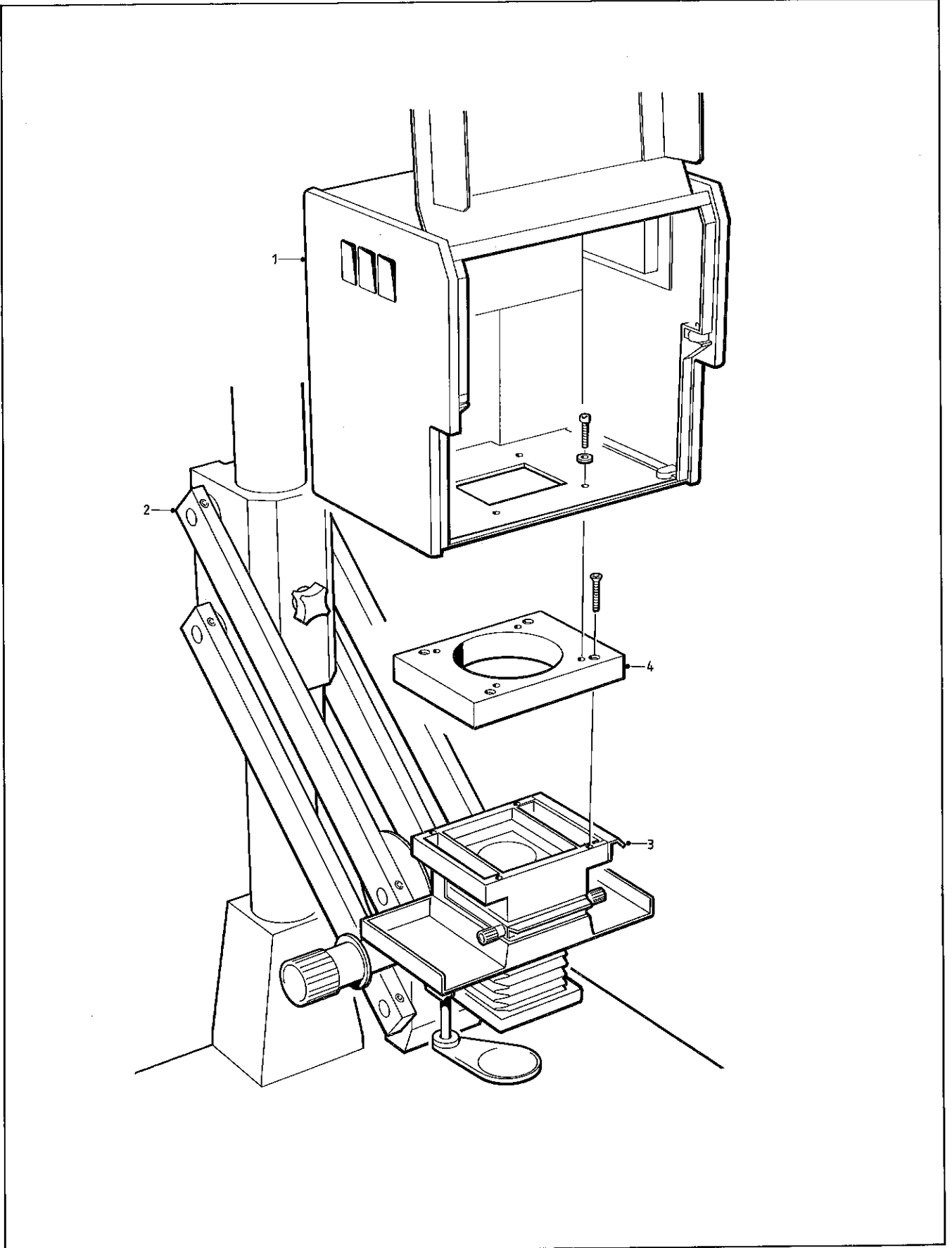


Figure 1.1

# 1 PRE-INSTALLATION

- 1 MULTIGRADE 500HLZ enlarger head
- 2 IFF Auregon chassis
- 3 Filter drawer
- 4 Adaptor plate

## 1.1 Introduction

The adaptor kit (see figure 1.1) enables the ILFORD MULTIGRADE 500HLZ enlarger head to be fitted to the IFF Auregon enlarger. With this adaptor kit the original enlarger condenser is retained together with the characteristics associated with a condenser enlarger. Installation is straightforward provided the instructions in this leaflet are carefully followed. If you have any problems, please contact your nearest ILFORD selling company, the address of which can be found on the back cover of this leaflet.

The ILFORD MULTIGRADE 500HLZ enlarger head is described in the ILFORD MULTIGRADE 500 Operating and Fitting Instructions Leaflet 6130-P-001. This enlarger head is supplied with an adaptor kit for use with the Leitz IC enlarger. The kit for the Leitz IC enlarger contains a plastic mounting ring, screws and tightening key which are not used with the IFF Auregon enlarger and should be discarded. The kit also contains a 35mm light mixing box, this must be retained for use with the IFF Auregon enlarger.

Information regarding the fitting of light mixing boxes is detailed in the MULTIGRADE 500 Operating manual, which must be read thoroughly before the equipment is used.

### WARNING

To prevent irreparable damage to the equipment, do not use force when carrying out any of the following instructions. Handle the MULTIGRADE 500HLZ enlarger head with extreme care. Remove the lamps if you feel it is necessary.

## 1.2 Unpacking

The adaptor kit for the IFF Auregon enlarger consists of the sub-assemblies detailed in table 1.1. Each sub-assembly is packed in a plastic bag, with the part number written on the bag. Please ensure you have all the correct items before proceeding with any of the fitting instructions (see also figure 1.1).

Table 1.1 Adaptor kit

Part no.	Description
* 6091-P-001	Light mixing box, 35mm
6147-P-002	Sub kit

- \* Packed with the MULTIGRADE 500HLZ enlarger head.

The sub kit, part number 6147-P-002, consists of the items detailed in table 1.2.

Table 1.2 Sub kit 6147-P-002

Description	Quantity
Adaptor plate	1
Screw, M3x16mm, pan head	4
Screw, M3x20mm, countersunk head	4
Washer, M3, plain	4

## 1.3 Removing the IFF Auregon enlarger head

The IFF Auregon enlarger head is counter balanced to be moved up and down with the minimum of effort. Before proceeding, ensure that it is positioned at a convenient working height and securely locked.

### WARNING

Never lean over counter balanced enlargers; failure of the locking mechanism could cause injury.

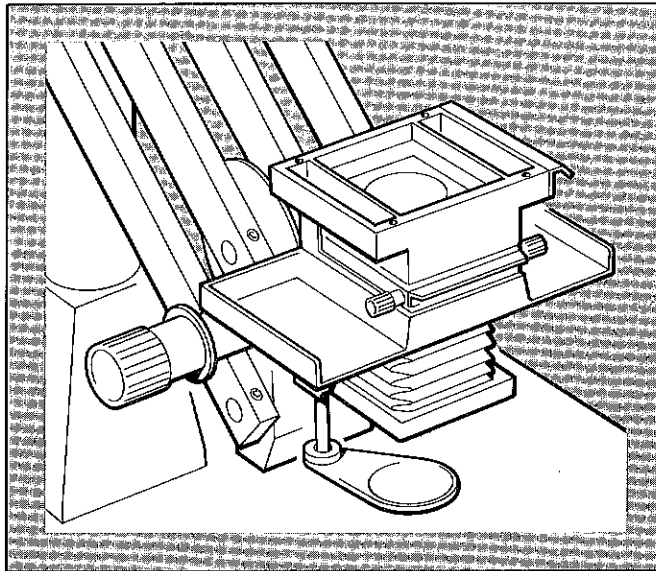
To remove the IFF Auregon enlarger head, proceed as follows (refer also to the manufacturer's literature):

- 1 Twist and lift off the upper half of the lamp house.
- 2 Remove the four screws securing the base of the lamp house and lift the lamp house away from the chassis. Do not remove the condenser lenses.

## 2

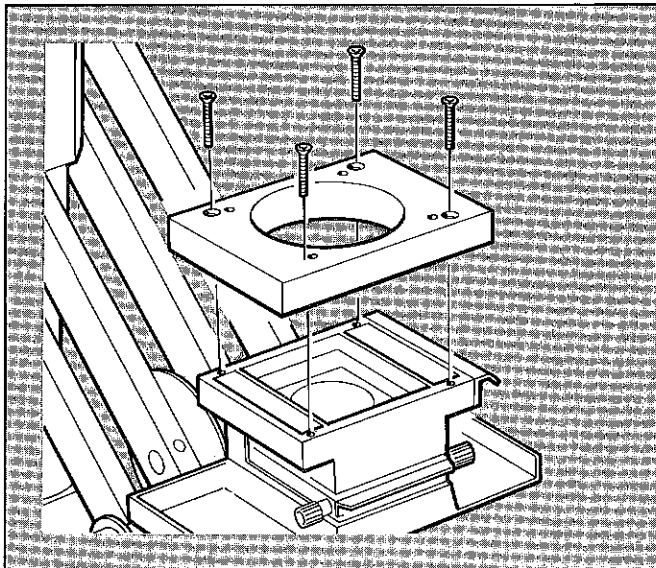
# FITTING THE MULTIGRADE 500HLZ ENLARGER HEAD

With the IFF Auregon enlarger head removed, the enlarger is now ready to accept the MULTIGRADE 500HLZ enlarger head.



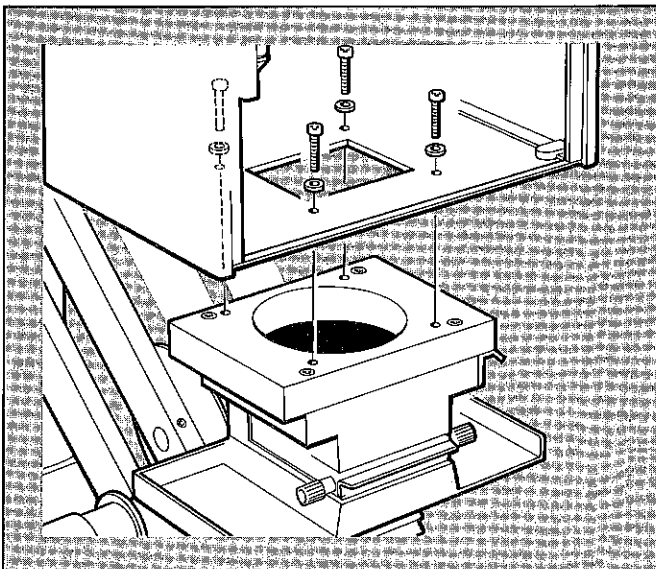
1

Ensure the filter drawer is in position and fully closed. Secure the adaptor plate with the four M3x20mm countersunk screws.



2

Secure the MULTIGRADE 500HLZ enlarger head squarely to the adaptor plate with the four M3x16mm pan head screws and washers as shown. Insert the light mixing box carefully between the two lamp and filter assemblies and into the aperture in the base of the head.



3

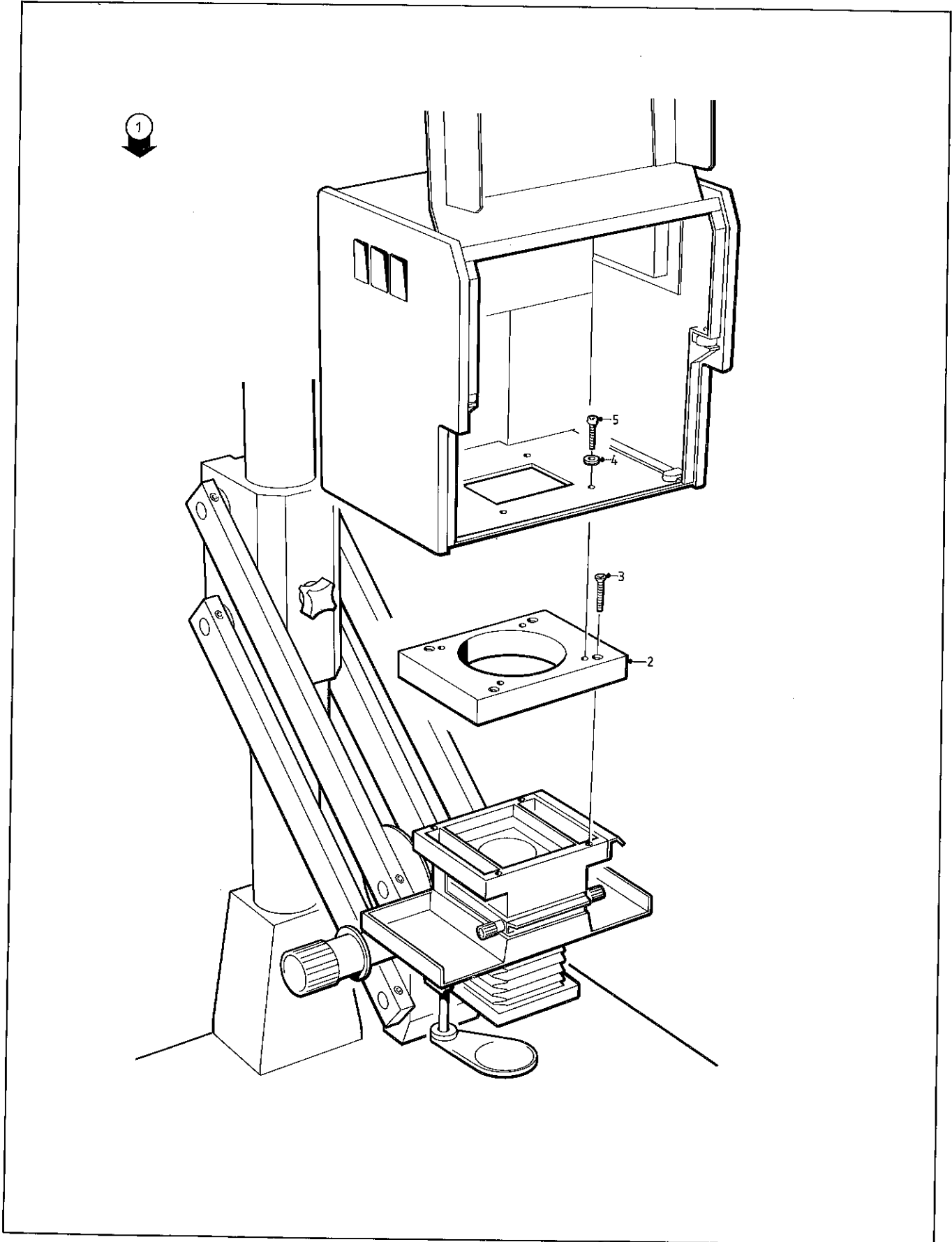


Figure 3.1

### 3

## PARTS LIST

Figure 3.1 and the following table detail all spare parts that are available. When ordering spare parts, please quote the part number in order that ILFORD Limited may process your order quickly and efficiently.

Ref no. on figure 3.1	Part no.	Description	Quantity
1	6147-P-001	Adaptor kit, complete	
2	6147-3-100	Adaptor plate	1
3	87990425	Screw, M3x20mm, countersunk head	4
4	89730453	Washer, M3, plain	4
5	87992726	Screw, M3x16mm, pan head	4
6+	6091-P-001	Light mixing box, 35mm, 4mm drop	1

+ items not illustrated